

CUSHMAN[®] PARTS MANUAL

HAULSTER[®]

**ON-ROAD
VEHICLES**

898407

898408

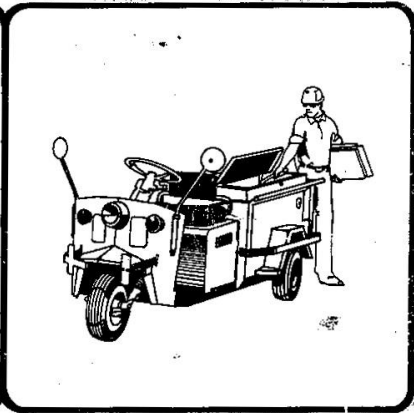
898409

**OFF-ROAD
VEHICLES**

898415

898417

898418



ALL ILLUSTRATIONS AND PARTS LISTS CONTAINED IN THIS MANUAL ARE BASED ON THE LATEST PRODUCT INFORMATION AVAILABLE AT THE TIME OF PUBLICATION.



SAFETY WARNING: Illustrations in this manual are a reference guide for parts identification only. Since these illustrations may not depict actual positioning of component parts, they should not be used as an assembly diagram. Doing so may result in improper assembly leading to sudden failure. Refer to your service manual for recommended assembly procedures.



SAFETY WARNING: When replacement parts are required, use genuine OMC parts or parts with equivalent characteristics including type, strength, and material. Failure to do so may result in product malfunction and possible injury to the operator and/or bystanders.

SERVICE PUBLICATIONS

Additional operator's manuals as well as illustrated parts books, are available for a minimum charge at this address:

OMC-Lincoln
Attn: Cushman Service Dept.
P.O. Box 82409
Lincoln, Nebraska 68501

ACCESSORIES AND MODIFICATIONS



SAFETY WARNING: In some cases, accessories and/or modifications must be used in conjunction with other accessories and/or modifications to maintain safe operating conditions for a vehicle. Display of an accessory or modification in this manual does not imply it can be used on any other vehicle. Using an accessory or modification in a non-recommended application may create unsafe operating conditions.

ENGINE REPLACEMENT

Engine:

When ordering an 18 H.P. engine, order part number 884339. Engines include the starter, carburetor, air cleaner, exhaust manifolds, fan housing and fuel pump. The alternator IS NOT included.

Engine Short Block:

When ordering an 18 H.P. engine short block, order part number 160369. Short blocks include valves, oil pump and rocker arm oil drain tubes. They DO NOT include rocker arms, oil strainer, oil pressure relief valve, valve lifters, push rods or push rod tubes.

MODEL DESIGNATION

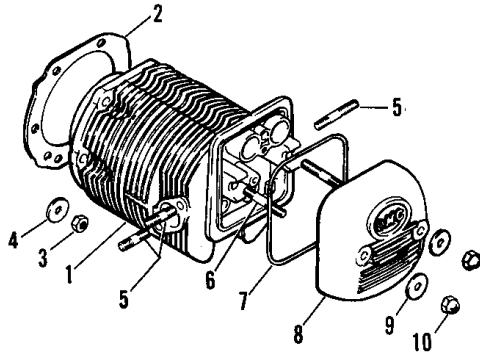
The vehicle model number and year are shown on the name-plate attached to the dash panel. Parts in this book fit the following models.

- 898407 7710 HAU LSTER, CHASSIS —
18 h.p., 3-wheel, 4.71:1 axle, 3-wheel hydraulic brakes, front shock absorbers with overloads, rear shock absorbers, 5.70 x 8 6-ply rated tires, speedometer, backrest, rearview mirrors and turn signals with emergency warning. Color - White
- 898408 7710 HAU LSTER, PICKUP —
18 h.p., 3-wheel, 4.71:1 axle, 3-wheel hydraulic brakes, front shock absorbers with overloads, rear shock absorbers, 5.70 x 8 6-ply rated tires, speedometer, backrest, rearview mirrors, turn signals with emergency warning, rub rails and rear bumper. Color - White
- 898409 7710 HAU LSTER, POLICE —
18 h.p., 3-wheel, 4.71:1 axle, 3-wheel hydraulic brakes, front shock absorbers with overloads, rear shock absorbers, 5.70 x 8 6-ply rated tires, speedometer, backrest, rearview mirrors, turn signals with emergency warning, rub rails, rear bumper, steel cab with cloth doors, electric windshield wiper, steel box and cover. Color - White
- 898415 7710 HAU LSTER, FULL-TON FLATBED —
18 h.p., 3-wheel, 10.25:1 axle, 3-wheel hydraulic brakes, front and rear shock absorbers with overloads, 5.70 x 8 6-ply rated tires and backrest. Color - Yellow
- 898417 7710 HAU LSTER, CHASSIS — Quick Pin Disconnect —
18 h.p., 3-wheel, 10.25:1 axle, 3-wheel hydraulic brakes, front and rear shock absorbers, 5.70 x 8 4-ply rated tires and backrest. Color - Yellow
- * 898418 7710 HAU LSTER, PICKUP —
18 h.p., 3-wheel, 10.25:1 axle, 3-wheel hydraulic brakes, front and rear shock absorbers, 5.70 x 8 4-ply rated tires, rub rails and backrest. Color - Yellow

QUICK REFERENCE INDEX

	Page		Page
Accessories	58	Hitch, Tow:	
Air Cleaner	15	880653	61
Air Shrouds	20	883865	62
Alternator	16	Hour Meter	57
Axle:		Hydraulic Dump Controls	74
Front	37	Hydraulic Lines	50
Rear	28 & 29	Hydraulic System	86 & 87
Back Rest	45	Hub:	
Battery Carrier	53	Front	37
Bed, Flat	63	Rear	33
Box, Short	72	Ignition Components	14
Box Catch Controls	77	Lights	48
Box Sides and Tailgate:		Manifolds	18
883727	65	Master Cylinder	36
884060	64	Mirror Set	59
Brake Controls	32	Mounts:	
Brake:		Engine	22
Front	37	Transmission	22
Parking	34 & 35	Oil Supply	7
Rear	33	Pistons	4
Bumper Set:		Plates	51
Front	60	Police Box and Cover	90 & 91
Rear	61	Protectoseal Gas Cap	59
Cab Set	66 & 67	PTO Set	78 & 79
Camshaft	5	PTO Shaft Extension:	
Carburetor	9	(for hydraulic system)	81
Carburetor and Nipple Assembly	8	(for pickup models)	80
Carrier, Differential Gear	28 & 29	Push Rods	6
Chassis	31	Rims	41
Choke Control	22	Seat	44
Clutch	24	Seat, Personnel Carrier	70
Clutch Controls	23	Shifter Linkage	25
Connecting Rod	4	Shock Absorbers	40 & 89
Crankcase	3	Shock and Spring Assy, Rear, H.D.	52
Crankcase Breather	15	Shock Assembly, Front, H.D.	53
Crankshaft	4	Sound Treatment Set	88
Cylinder	3	Sound Treatment Set - Steel Door	89
Decals	51	Spark Arrestor Set	57
Defroster	71	Speedometer	56
Differential	28 & 29	Starter	12
Door Set:		Steering Gear	39
Steel	54	Tailgate Release	75
Cloth	55	Tailgate Release Latch	76
Drive Shaft	30	Tank, Fuel	46
Dump Cylinder	73	Throttle	21
Electrical Components	49	Timer	10 & 11
Engine Covers	43	Tires	41
Exhaust Systems	19	Tire Modification	84 & 85
Fan Housing	17	Transmission	26 & 27
Fenders	31	Transmission Set, Auxiliary	82 & 83
Floor Board	42	Turn Signal	68 & 69
Flywheel	13	Valves	6
Fork	38	Wheel Assembly, Rear	33
Frame	47	Wheel Cylinder	33
Front Panel	42	Wheels	84 & 85
Fuel Pump	13	Windshield	71
Governor	10 & 11	Wiper	66 & 67
Heater	95	Wiring Diagram	92-94

CYLINDER



Ref. No.	Part No.	Description	Qty.
1	160352	Cylinder, w/valve seats & guides, less valves	2
*	112007	.Guide, valve	4
2	111715	Gasket, cylinder	2
3	805837	Locknut, 3/8-24	12
4	306405	Washer, plain, 3/8	12
5	111786	Stud, manifold	8
6	111762	Stud, rocker arm shaft	4
7	111716	Gasket, valve cover	2
8	111731	Cover, valve	2
9	111828	Gasket, nut	4
10	800217	Nut, acorn, 5/16-24	4
*	160440	Gasket set	1

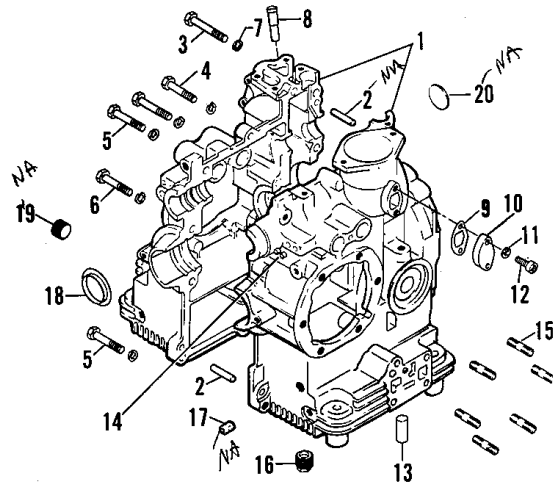
* Not shown.
 INDENTED PART NAMES INDICATE THESE PARTS ARE INCLUDED IN PRECEDING ASSEMBLY.

510599 Bail #
83992 Speed casing

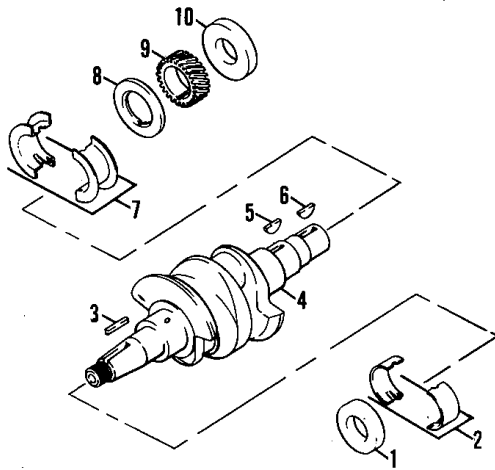
CRANKCASE

Ref. No.	Part No.	Description	Qty.
1	160354	Crankcase set	1
2	111043	.Pin, taper	2
3	306837	Screw, hex. hd., 3/8-16 x 3-1/4	1
4	307776	Screw, hex. hd., 3/8-16 x 2-3/4	2
5	302600	Screw, hex. hd., 3/8-16 x 1-1/2	8
6	551094	Screw, hex. hd., 3/8-16 x 1-3/4	2
7	306353	Lockwasher, 3/8	13
8	111349	Tube, dipstick	1
9	111779	Gasket, fuel pump	1
10	111778	Cover, fuel pump mounting	1
11	306396	Lockwasher, 1/4	2
12	306487	Screw, hex. hd., 1/4-20 x 5/8	2
13	111717	Shaft, idler, oil pump	4
14	114082	Plug, oil galley	1
15	111758	Stud, cylinder mounting	12
16	111071	Plug, drain, 1/2 pipe	1
17	800228	Plug, 3/4 pipe	1
18	111961	Cover, camshaft	1
19	800231	Plug, 1/2 pipe, filler and drain	1
20	308132	Plug, Welch, expansion, 15/16	1
*	112008	Crankcase cement, 5-oz. tube	1

* Not shown.
 INDENTED PART NAMES INDICATE THESE PARTS ARE INCLUDED IN PRECEDING ASSEMBLY.



CRANKSHAFT

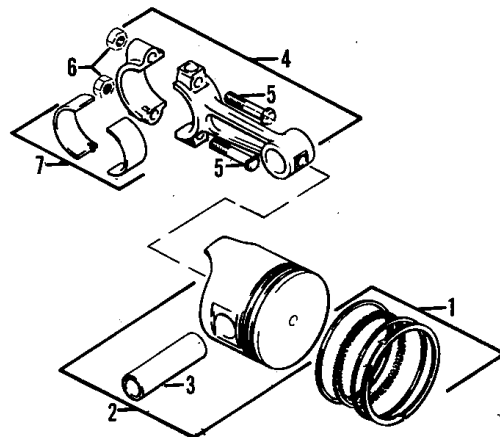


Ref. No.	Part No.	Description	Qty.
1	111729	Seal, oil, front	1
2	112458	Main bearing set, front, standard	1
	112459	Main bearing set, front, .015 u/s	1
	112460	Main bearing set, front, .030 u/s	1
3	111807	Key, flywheel	1
4	111663	Crankshaft	1
5	307661	Key, 11 woodruff	1
6	307662	Key, 15 woodruff	1
7	112462	Main bearing set, rear, standard	1
	112463	Main bearing set, rear, .015 u/s	1
	112464	Main bearing set, rear, .030 u/s	1
8	111659	Washer, spacer, gear	1
9	111656	Pinion, timing	1
10	111756	Seal, oil, rear	1

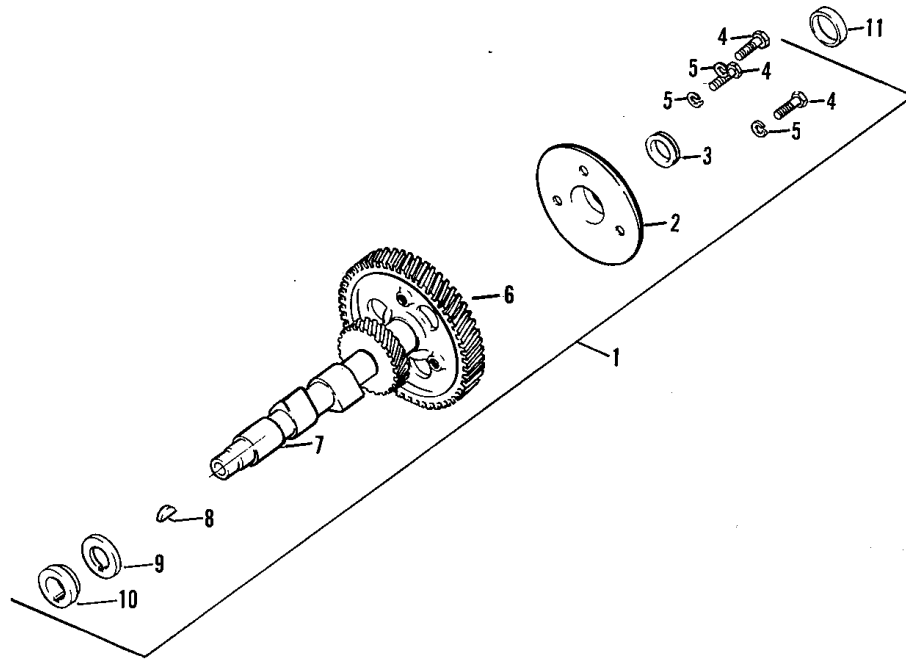
INDENTED PART NAMES INDICATE THESE PARTS ARE INCLUDED IN PRECEDING ASSEMBLY.

PISTON & CONNECTING ROD

Ref. No.	Part No.	Description	Qty.
1	160434	Ring set, standard	2
	160435	Ring set, .020 o/s	2
	160436	Ring set, .030 o/s	2
2	160441	Piston, w/ wrist pin, standard	2
	160442	Piston, w/ wrist pin, .020 o/s	2
	160443	Piston, w/ wrist pin, .030 o/s	2
3	111664	Pin, wrist	2
4	160867	Connecting rod assy., (order inserts separately)	2
5	111694	Bolt, connecting rod	4
6	800221	Locknut, connecting rod	4
7	112454	Bearing inserts, connecting rod, standard	2
	112455	Bearing inserts, connecting rod, .015 u/s	2
	112456	Bearing inserts, connecting rod, .030 u/s	2



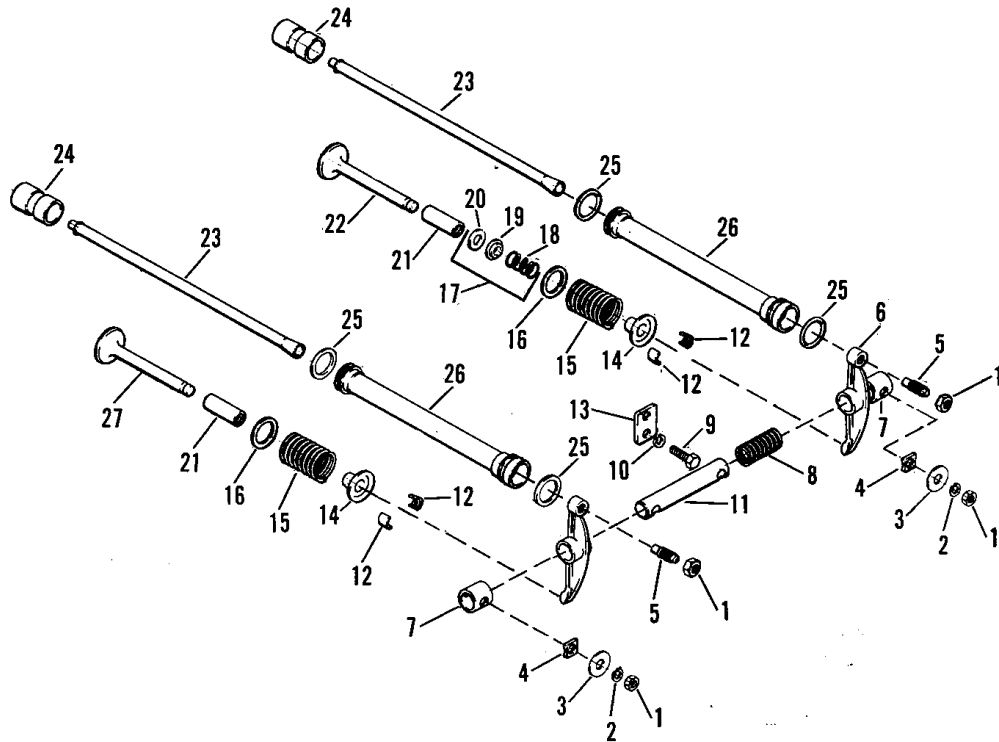
INDENTED PART NAMES INDICATE THESE PARTS ARE INCLUDED IN PRECEDING ASSEMBLY.



CAMSHAFT

Ref. No.	Part No.	Description	Qty.	Ref. No.	Part No.	Description	Qty.
1	160379	Camshaft assy.	1	7	111661	. Camshaft	1
2	111734	. Cover, timing gear	1	8	306560	. Key	2
3	111837	. Seal, cover	1	9	111660	. Washer, thrust	1
4	306419	. Screw, hex. hd., 1/4-20 x 1/2	3	10	111667	. Collar, retaining	1
5	306396	. Lockwasher, 1/4	3	11	111785	Seal, camshaft	1
6	111662	. Gear, timing	1				

INDENTED PART NAMES INDICATE THESE PARTS ARE INCLUDED IN PRECEDING ASSEMBLY.

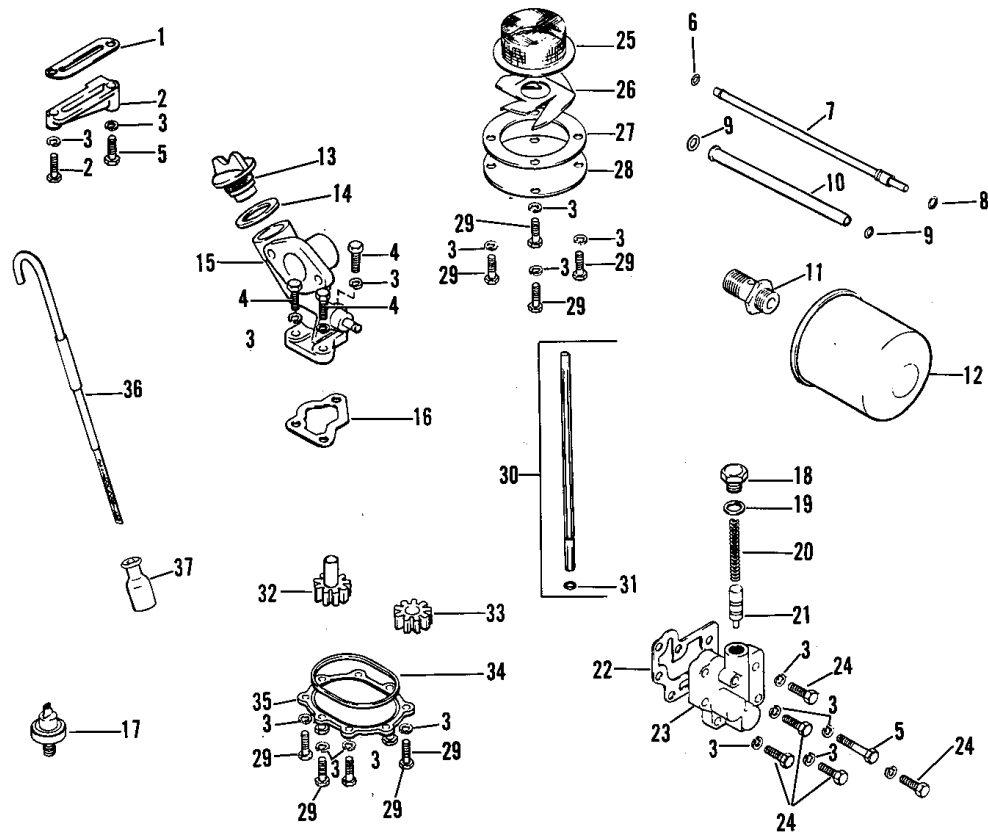


VALVES AND PUSHRODS

Ref. No.	Part No.	Description	Qty.	Ref. No.	Part No.	Description	Qty.
1	306390	Nut, 5/16-24	8	15	111750	Spring, valve	4
2	306325	Lockwasher, 5/16	4	16	111742	Washer, valve spring	4
3	309948	Washer, plain, 5/16	4	17	160700	Seal set, valve	2
4	111728	Cap, shaft	4	18	111086	Spring, intake valve stem	2
5	111732	Screw, adjusting, tappet	4	19	111085	Seal, intake valve stem	2
6	111038	Arm, rocker	4	20	111087	Gasket, intake valve stem	2
7	111743	Bushing, shaft	4	*	111095	Installer, seal	1
8	111727	Spring, spacer	2	21	112007	Guide, valve	4
9	306487	Screw, hex. hd., 1/4-20 x 5/8	2	22	111739	Valve, intake	2
10	306396	Lockwasher, 1/4	2	23	111730	Rod, push	4
11	111668	Shaft, rocker arm	2	24	111733	Tappet	4
12	111741	Keeper half	8	25	111751	O ring	8
13	111759	Retainer, housing	2	26	111752	Housing, push rod	4
14	111658	Retainer, valve spring	4	27	111740	Valve, exhaust	2

* Not shown.

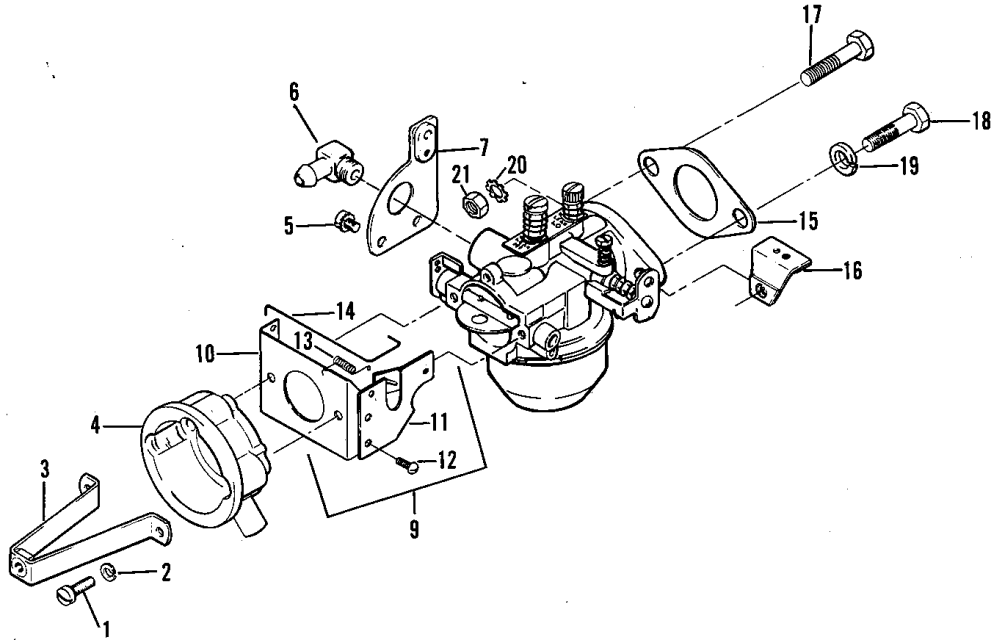
INDENTED PART NAMES INDICATE THESE PARTS ARE INCLUDED IN PRECEDING ASSEMBLY.



OIL SUPPLY

Ref. No.	Part No.	Description	Qty.	Ref. No.	Part No.	Description	Qty.
1	111745	Gasket, return block	2	20	111827	Spring, relief valve	1
2	111746	Block, oil return	2	21	111790	Valve, relief	1
3	306396	Lockwasher, 1/4	25	22	111792	Gasket, housing	1
4	302288	Screw, hex. hd., 1/4-20 x 1	5	23	111793	Housing, relief valve	1
5	303459	Screw, 1/4-20 x 1-1/2	3	24	306418	Screw, 1/4-20 x 1-1/8	5
6	111764	O ring, tube	2	25	111720	Strainer, oil	1
7	111810	Tube, oil supply	2	26	111860	Retainer, strainer	1
8	111838	O ring, tube	2	27	111726	Gasket, cover	1
9	111748	O ring, tube	4	28	111721	Cover, strainer	1
10	111747	Tube, oil drain, return	2	29	306487	Screw, hex. hd., 1/4-20 x 5/8	12
11	111757	Connector, filter	1	30	160380	Shaft, drive w/ ring	1
12	111836	Filter, oil	1	31	111777	Ring, retaining	1
13	111858	Cap, oil filter	1	32	160376	Gear & shaft assy., drive	1
14	111784	Gasket, cap	1	33	111753	Gear, idler	1
15	111804	Oil filler	1	34	111775	Gasket, cover	1
16	111773	Gasket, filler	1	35	111719	Cover, pump	1
17	881595	Switch, oil pressure	1	36	160782	Dipstick assy.	1
18	111791	Screw, relief valve	1	37	111885	Seal, dipstick, rubber	1
19	111783	Gasket, screw	1				

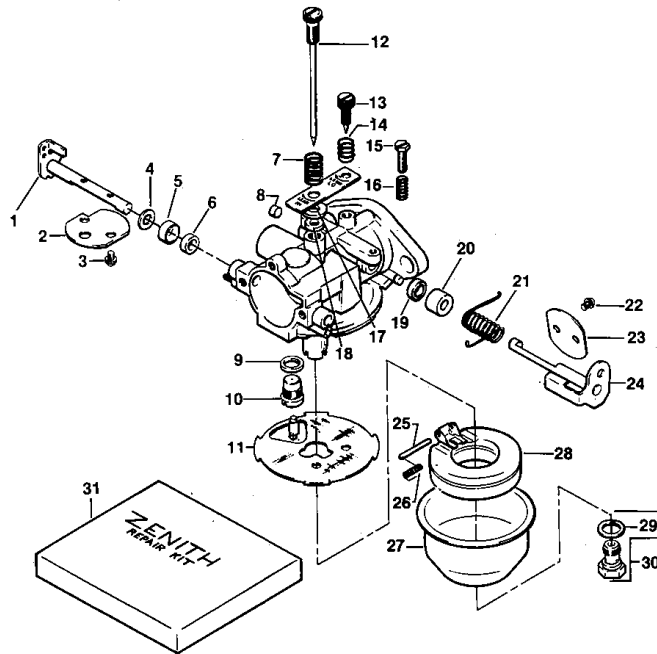
INDENTED PART NAMES INDICATE THESE PARTS ARE INCLUDED IN PRECEDING ASSEMBLY.



CARBURETOR & NIPPLE ASSEMBLY

Ref. No.	Part No.	Description	Qty.	Ref. No.	Part No.	Description	Qty.
	883382	Carburetor & nipple assy.	1	11	162275	.. Plate assy., side	1
1	317342	.. Screw, no. 10-32 x 11/16	3	12	130255	.. Screw, no. 10-24 x 1/4	2
2	120052	.. Lockwasher, no. 10	3	13	114305	.. Spring, fast idle	1
3	161735	.. Bracket assy.	1	14	114300	.. Rod, cam pivot	1
4	113318	.. Connector	1	15	111767	Gasket	1
5	303791	.. Screw, no. 10-32 x 5/16	2	16	162277	Bracket assy.	1
6	306266	.. Elbow	1	17	306504	Screw, 5/16-24 x 1	1
7	161678	.. Bracket assy., choke cable ..	1	18	302479	Screw, 5/16-24 x 1-1/8	1
9	162273	.. Idle assy., fast	1	19	306325	Lockwasher, 5/16	1
10	162274	.. Bracket assy.	1	20	306799	Lockwasher, shakeproof, 5/16	1
				21	306390	Nut, 5/16-24	1

INDENTED PART NAMES INDICATE THESE PARTS ARE INCLUDED IN PRECEDING ASSEMBLY.



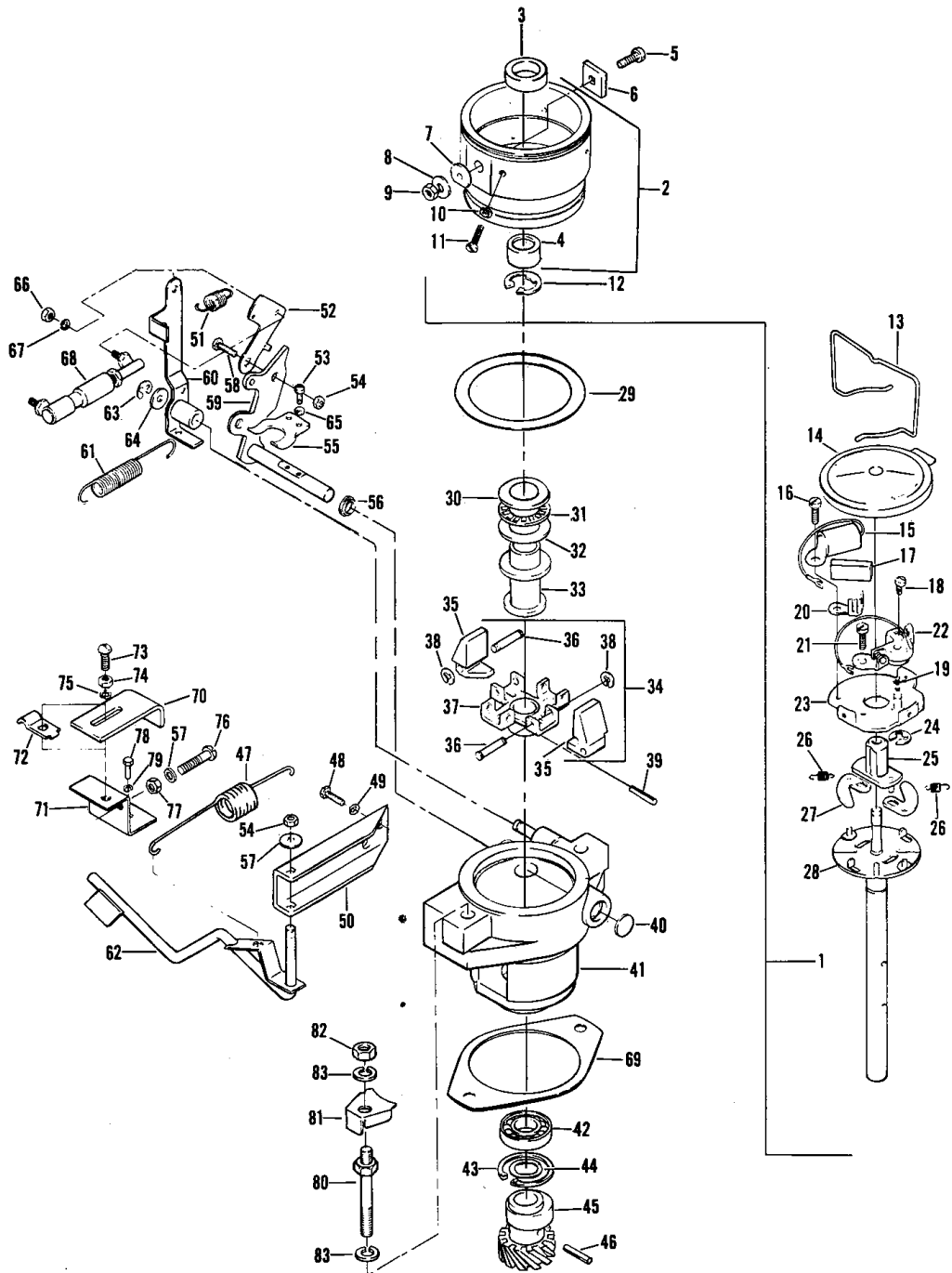
CARBURETOR

Ref. No.	Part No.	Description	Qty.	Ref. No.	Part No.	Description	Qty.
	883382	Carburetor assy.....	1	21	113450	. Spring, throttle	1
1	113438	. Shaft/lever, choke	1	22	113437	. Screw, choke/throttle plate .	2
2	113454	. Plate, choke	1	23	113436	. Plate, throttle	1
3	113437	. Screw, choke/throttle plate .	2	24	113449	. Throttle, shaft lever	1
4	113453	. Washer, choke shaft	1	25	113430	. Pin, float.....	1
5	113452	. Retainer, shaft seal	1	26	113431	. Spring, float	1
6	113451	. Seal, choke shaft	1	27	113433	. Bowl, fuel.....	1
7	113441	. Spring, main needle	1	28	113429	. Float	1
8	113421	. Plug, throttle shaft	1	29	113445	. Washer, main jet.....	1
9	113447	. Washer, fuel valve	1	30	113455	. Jet, main	1
10	113456	. Valve & seat	1	31	161768	. Repair kit, carburetor	1
11	113432	. Gasket, bowl	1	*	11767	. Gasket	1
12	113457	. Idle jet/main adj needle	1	*	113419	. Seal, throttle shaft	1
13	113422	. Needle, idle adjustment	1	*	113420	. Retainer	1
14	113423	. Spring, idle needle	1	*	113430	. Pin, float	1
15	113428	. Screw, throttle stop	1	*	113432	. Gasket, bowl	1
16	113448	. Spring, throttle stop	1	*	113445	. Washer, main jet	1
17	113443	. Washer, main adj. needle	1	*	113451	. Seal, choke shaft	1
18	113442	. Washer, rubber	1	*	113452	. Retainer, shaft seal	1
19	113419	. Seal, throttle shaft	1	*	113453	. Washer, choke shaft	1
20	113420	. Retainer	1	*	113456	. Valve & seat	1
				*	113457	. Idle jet/main adj needle...	1

* Not shown.

INDENTED PART NAMES INDICATE THESE PARTS ARE INCLUDED IN PRECEDING ASSEMBLY.

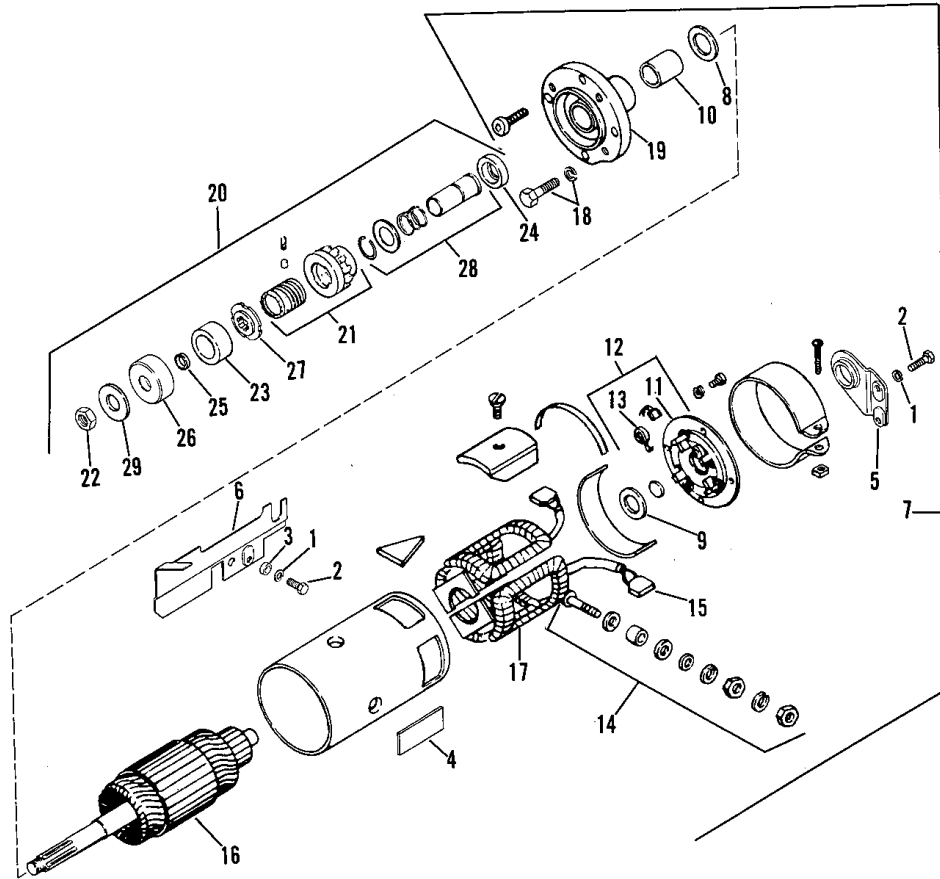
TIMER & GOVERNOR



TIMER & GOVERNOR

Ref. No.	Part No.	Description	Qty.	Ref. No.	Part No.	Description	Qty.
	162327	Timer & governor, assy., (4 wt.)	1	41	160423	Housing & pin assy.	1
1	161902	Timer assy.	1	42	111822	Bearing, shaft	1
2	580433	Housing bearing & seal assy.	1	43	111823	Ring, retaining	1
3	510499	Seal, housing	1	44	111770	Washer, wave	1
4	510505	Bearing, needle	1	45	111755	Gear, driven	1
5	510530	Screw, terminal	1	46	603501	Pin, spiral	1
6	510479	Block, insulating	1	47	110700	Spring, control	1
7	510598	Bushing, insulating	1	48	306487	Screw, hex. hd., 1/4-20 x 5/8	2
8	121038	Washer, plain, no. 8	1	49	306396	Lockwasher, 1/4	2
9	306510	Nut, no. 6-32	1	50	160766	Bracket & pin assy.	1
10	306506	Lockwasher, no. 6	3	51	114444	Spring	1
11	307136	Screw, no. 6-32 x 5/16	3	52	114308	Lever, auxiliary	1
12	510487	Ring, retaining	1	53	306915	Screw, no. 6-32 x 5/16	2
13	510543	Timer, bail-twin	1	54	800047	Locknut, hex., 1/4-28	1
14	580427	Cover assy., dust	1	55	111812	Yoke, spool	1
15	510613	Condenser	1	56	111813	Seal, shaft	1
16	510490	Screw, no. 10-32 x 1/4	1	57	308090	Washer, plain, 1/4	1
17	510189	Wick, oiler	1	58	300977	Screw, 1/4-28 x 5/8	1
18	510185	Screw, eccentric	1	59	160409	Lever & shaft assy.	1
19	307594	Clip, spring	1	60	160421	Arm assy., throttle	1
20	510480	Clip, oiler	1	61	110895	Spring	1
21	308120	Screw, breaker plate	1	62	160767	Lever & support assy.	1
22	580394	Breaker point set	1	63	111939	Ring, retaining	1
23	580485	Base & post assy.	1	64	120590	Washer, 1/4	1
24	202139	Ring, retaining	1	65	306506	Lockwasher, no. 6	2
25	580518	Cam & pin assy.	1	66	133079	Nut, no. 8-32	2
26	510631	Spring, weight	2	67	306991	Lockwasher, no. 8	2
27	510590	Weight, governor	2	68	112048	Link, ball, governor	1
28	580472	Shaft & weight base assy.	1	69	111771	Gasket, housing	1
29	111769	Gasket, housing	1	70	824133	Bracket, governor lock	1
30	111814	Washer, thrust, arm	1	71	160847	Bracket assy., cable	1
31	112840	Bearing, thrust, spool	1	72	111898	Clamp, cable	1
32	111816	Washer, thrust, spool	1	73	800215	Screw, no. 10-24 x 5/8	1
33	111817	Spool, governor	1	74	306531	Nut, no. 10-24	1
34	160410	Carrier & weight assy., (4 wt.)	1	75	120052	Lockwasher, no. 10	1
35	111819	Weight, governor	4	76	306001	Screw, 1/4-20 x 1-3/4	1
36	111820	Weight, pin-governor	4	77	130728	Nut, 1/4-20	1
37	111818	Carrier, weight, governor	1	78	306487	Screw, hex. hd., 1/4-20 x 5/8	1
38	111821	Ring, retaining	4	79	306396	Lockwasher, 1/4	1
39	306966	Roll pin, 1/8 x 3/4	1	80	111824	Stud, timer	2
40	202310	Plug, expansion, 1/2	1	81	111768	Clamp, timer	2
				82	306397	Nut, 1/4-28	2
				83	306396	Lockwasher, 1/4	4

INDENTED PART NAMES INDICATE THESE PARTS ARE INCLUDED IN PRECEDING ASSEMBLY.

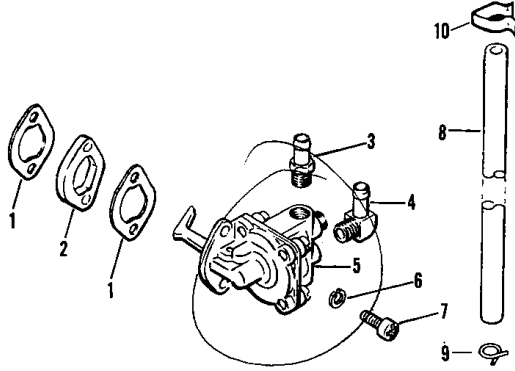


STARTER

Ref. No.	Part No.	Description	Qty.	Ref. No.	Part No.	Description	Qty.
	883285	Starter, kit	1	15	112450	.. Brush set	1
1	306396	.. Lockwasher, 1/4	3	16		.. Armature (order from prestolite no. mdl 2196)	1
2	306487	.. Screw, hex. hd., 1/4-20 x 5/8	3			.. Field coil pkg (order from prestolite no. mdl 2005 as 1)	
3	821411	.. Spacer	1	17		.. Thru bolt pkg	1
4	821676	.. Plate, emission control	1	18	884223	.. Head assy., drive end	1
5	883281	.. Bracket, motor support	1	19	884224	.. Bendix drive	1
6	883284	.. Shroud assy., center	1	20	162200	.. Pinion & scr shft assy.	1
7	884218	.. Starter motor	1	21	110902	.. Nut	1
8	110938	.. Washer, thrust, 1/32	#	22	112029	.. Cushion	1
9	110939	.. Washer, thrust, 1/32	#	23	112034	.. Pinion stop	1
	110940	.. Washer, thrust, 3/64	#	24	112047	.. Bushing	1
	110941	.. Washer, thrust, .080	#	25	114094	.. Cushion cup	1
10	110948	.. Bearing, bronze	1	26	114223	.. Clutch	1
11	112442	.. Head assy., comm end	1	27	114224	.. Sleeve assy.	1
12	112445	.. Plate assy., brush	1	28	162201	.. Thrust washer	1
13	112446	.. Spring set, brush	2	29	112030		
14	112448	.. Terminal stud pkg.	1				

As required.

INDENTED PART NAMES INDICATE THESE PARTS ARE INCLUDED IN PRECEDING ASSEMBLY.



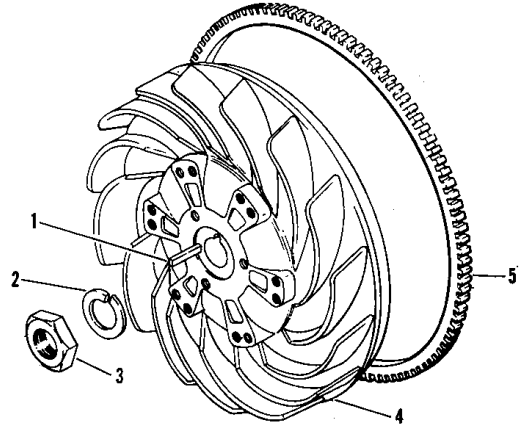
FUEL PUMP

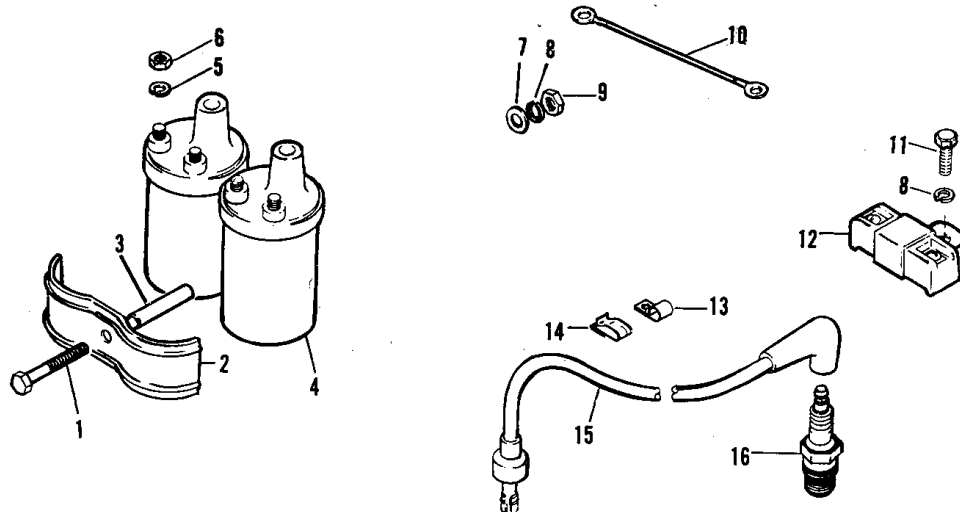
Ref. No.	Part No.	Description	Qty.
1	111779	Gasket, fuel pump	2
2	111890	Block, fuel pump, insulator ..	1
3	303492	Nipple, fuel line	1
4	306266	Elbow	1
5	111368	Fuel pump	1
6	306396	Lockwasher, 1/4	2
7	800229	Screw, fillister hd., 1/4-20 x 1	2
8	307406	Hose, fuel line, (to carburetor)	1
9	817729	Clamp, fuel line	2
10	111942	Clamp, fuel line	1

FLYWHEEL

Ref. No.	Part No.	Description	Qty.
1	111807	Key, flywheel	1
2	308008	Lockwasher, 7/8	1
3	305134	Nut, hex. jam, 7/8-14	1
4	580563	Flywheel & gear assy.	1
5	510551	Gear, ring	1

INDENTED PART NAMES INDICATE THESE PARTS ARE INCLUDED IN PRECEDING ASSEMBLY.

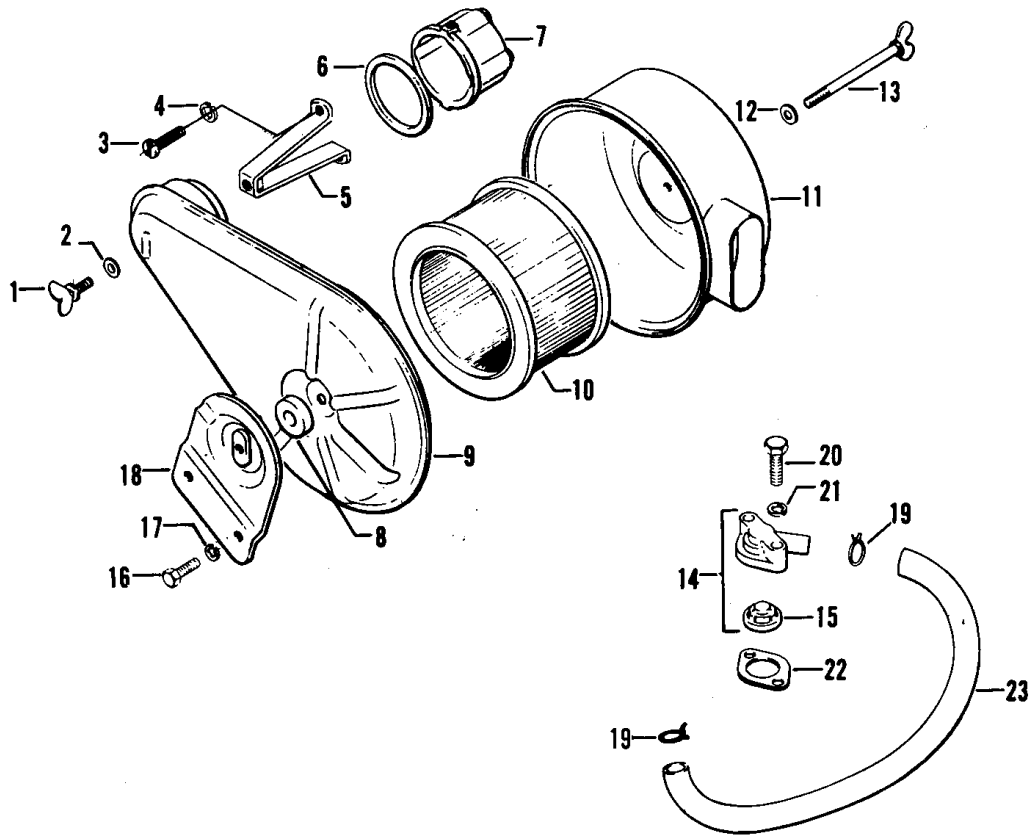




IGNITION COMPONENTS

Ref. No.	Part No.	Description	Qty.	Ref. No.	Part No.	Description	Qty.
1	316907	Screw, hex. hd., 1/4-20 x 2 3/4	1	11	306487	Screw, hex. hd., 1/4-20 x 5/8	1
2	112940	Clamp, coil	1	12	580601	Resistor, ignition	1
3	823319	Spacer, coil mtg	1	13	111886	Clip, lead, short plug wire	1
4	383444	Coil, ignition	2	14	111887	Clip, long plug wire	1
5	120052	Lockwasher, no. 10	4	15	113745	Red - Lead, high tension (long)	1
6	132520	Nut, hex., no. 10-32	4		113746	Red - Lead, high tension (short)	1
7	308090	Washer, plain, 1/4	1	16	111960	Spark plug	2
8	306396	Lockwasher, 1/4	2	*	822241	Clamp, wire	1
9	306375	Nut, hex., 1/4-20	1				
10	112987	Brown - Wire, ignition coil	1				

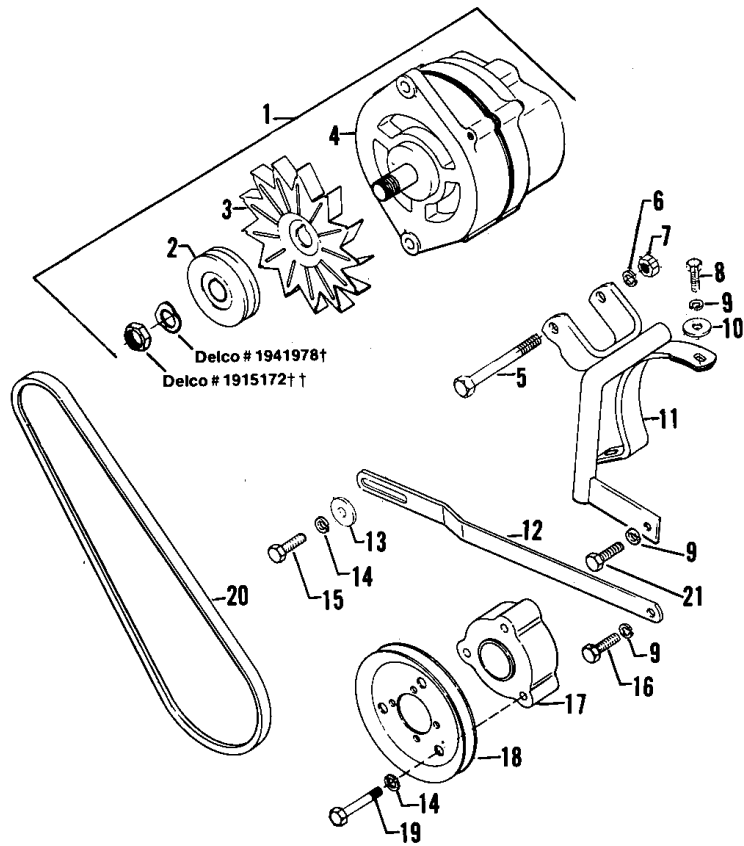
* Not shown.



AIR CLEANER & CRANKCASE BREATHER

Ref. No.	Part No.	Description	Qty.	Ref. No.	Part No.	Description	Qty.
1	604213	Screw, wing	1	13	111881	Screw, wing	1
2	111173	Seal, rubber	1	14	160387	Cover & valve assy.....	1
3	317342	Screw, no. 10-32 x 11/16	3	15	111744	. Valve, breather	1
4	120052	Lockwasher, no. 10	3	16	306555	Screw, 5/16-18 x 5/8	2
5	161735	Bracket assy.	1	17	306325	Lockwasher, 5/16	2
6	111878	Gasket, adapter	1	18	160401	Bracket	1
7	113318	Connector	1	19	308647	Clamp, breather hose	2
8	111877	Gasket, mounting	1	20	306418	Screw, 1/4-20 x 1-1/8	2
9	112006	Body, air cleaner	1	21	306396	Lockwasher, 1/4	2
10	111316	Element, air cleaner	1	22	111834	Gasket, valve cover, breather housing	1
11	112005	Cover, air cleaner	1	23	111909	Hose, breather.....	1
12	111173	Seal, rubber	1				

INDENTED PART NAMES INDICATE THESE PARTS ARE INCLUDED IN PRECEDING ASSEMBLY.

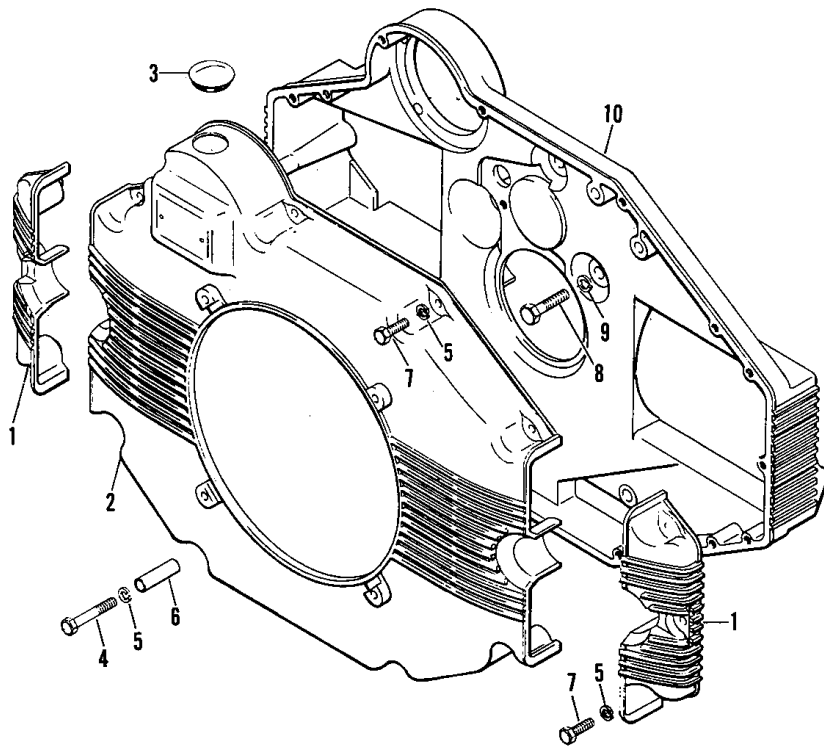


ALTERNATOR

Ref. No.	Part No.	Description	Qty.	Ref. No.	Part No.	Description	Qty.
1	883211	Alternator & pulley assy.	1	10	308090	Washer, plain, 1/4	2
2	816866	. Pulley, alternator	1	11	880600	Bracket assy., alternator, mounting	1
3	816867	. Pulley fan, alternator	1	12	816873	Bracket, alternator adjust-ment	1
4	883239	. Alternator, (w/ built-in regulator)	1	13	103867	Washer, plain, 5/16	1
*	306325	.. Lockwasher, 5/16	1	14	306325	Lockwasher, 5/16	4
*	306555	.. Screw, 5/16-18 x 5/8	1	15	306416	Screw, hex. hd., 5/16-18 x 1 ..	1
*	823683	.. Harness, alternator	1	16	306487	Screw, hex. hd., 1/4-20 x 5/8 ..	1
*	823689	.. Resistor	1	17	814143	Adapter, gen. pulley	1
5	311213	Screw, hex. hd., 3/8-16 x 3 ..	1	18	879371	Pulley assy., v-belt, drive	1
6	120177	Lockwasher, 3/8	1	19	306424	Screw, hex. hd., 5/16-18 x 2 ..	3
7	306562	Nut, hex., 3/8-16	1	20	816864	V-belt	1
8	302288	Screw, hex. hd., 1/4-20 x 1 ..	2	21	300646	Screw, 1/4-20 x 3/4	1
9	306396	Lockwasher, 1/4	4				

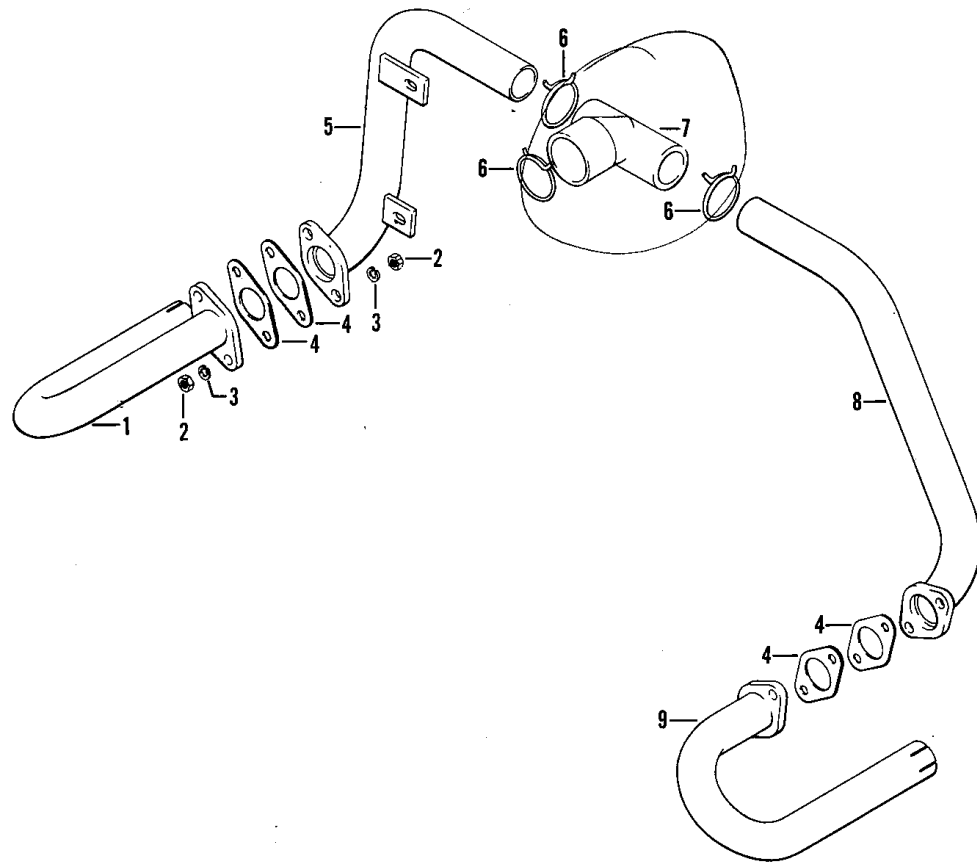
* Not shown.

INDENTED PART NAMES INDICATE THESE PARTS ARE INCLUDED IN PRECEDING ASSEMBLY.



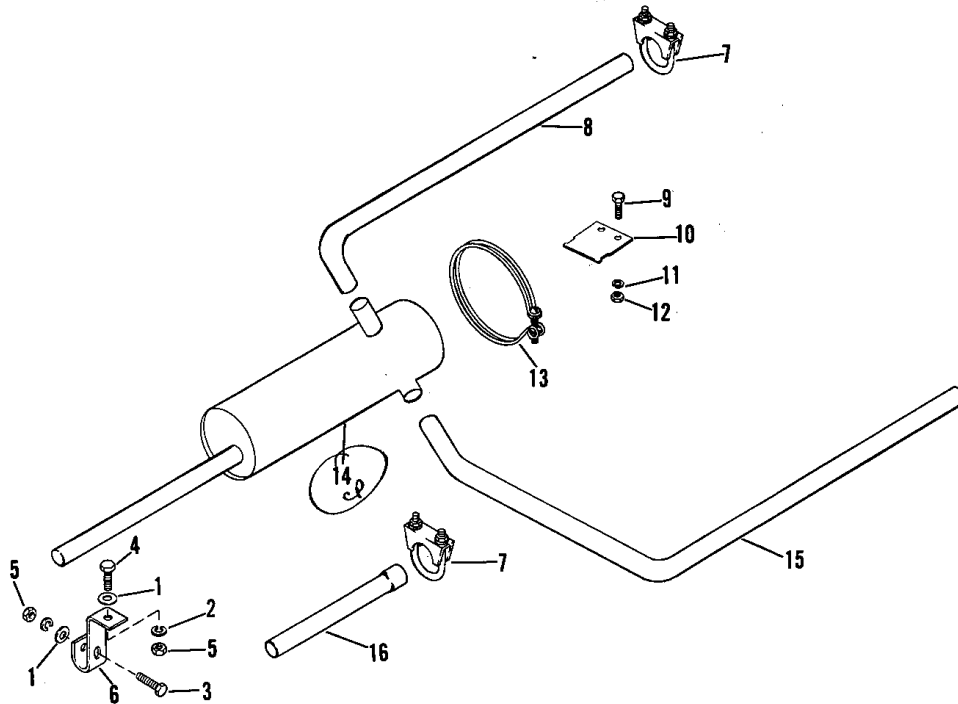
FAN HOUSING

Ref. No.	Part No.	Description	Qty.	Ref. No.	Part No.	Description	Qty.
1	111797	Cap, fan housing	2	6	111958	Spacer	2
2	160365	Housing, fan, front	1	7	302288	Screw, hex. hd., 1/4-20 x 1 ...	13
3	112002	Plug, rubber	1	8	302600	Screw, hex. hd., 3/8-16 x 1-1/2	5
4	308480	Screw, hex. hd., 1/4-20 x 2-1/2	2	9	120177	Lockwasher, 3/8	5
5	306396	Lockwasher, 1/4	15	10	111796	Housing, fan, rear	1



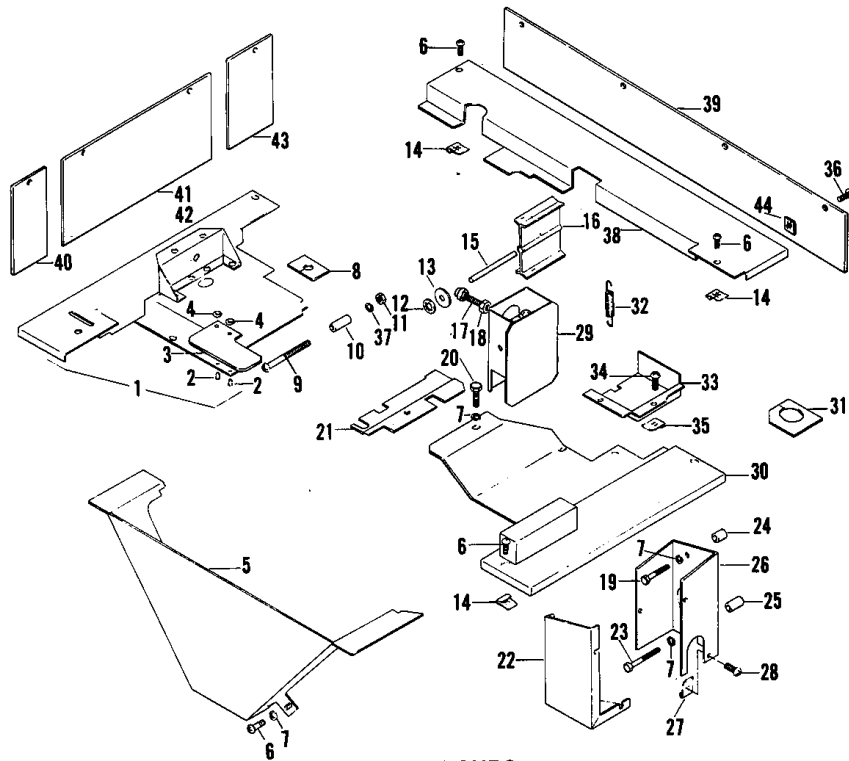
MANIFOLDS

Ref. No.	Part No.	Description	Qty.	Ref. No.	Part No.	Description	Qty.
1	160396	Manifold & flange assy., exhaust, right	1	6	308180	Clamp, connector tee	3
2	306320	Nut, hex., 5/16-24	8	7	111908	Connector, carb., intake manifold	1
3	306325	Lockwasher, 5/16	8	8	160397	Manifold & flange assy., intake, left	1
4	111761	Gasket, manifold	4	9	160395	Manifold & flange assy., exhaust, left	1
5	160835	Manifold & flange assy., intake, right	1				



EXHAUST SYSTEM

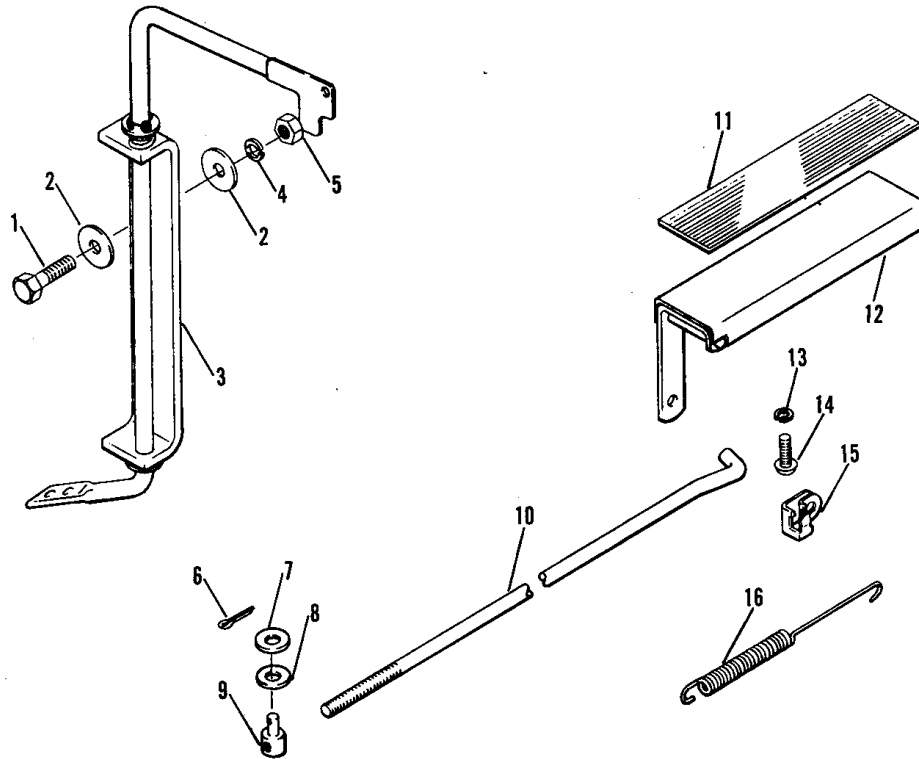
Ref. No.	Part No.	Description	Qty.	Ref. No.	Part No.	Description	Qty.
1	103867	Washer, plain, 5/16	2	10	822979	Support, muffler	1
2	306325	Lockwasher, 5/16	2	11	306396	Lockwasher, 1/4	2
3	306424	Screw, hex. hd., 5/16-18 x 2	1	12	306375	Nut, hex., 1/4-20	2
4	306435	Screw, 5/16-18 x 1-1/4	1	13	813689	Clamp, muffler	1
5	306932	Nut, hex., 5/16-18	2	14	882906	Muffler assy.	1
6	825061	Hangar, tailpipe	1	15	822928	Tube, exhaust, right	1
7	813688	Clamp, 1-1/8	4	16	823265	Extension, tailpipe, (full ton model)	1
8	822926	Tube, exhaust, left	1				
9	306487	Screw, hex. hd., 1/4-20 x 5/8	2				



AIR SHROUDS

Ref. No.	Part No.	Description	Qty.	Ref. No.	Part No.	Description	Qty.
1	161905	Shroud & filler assy., right	1	23	306832	Screw, 1/4-20 x 2	1
2	111610	Rivet, seal	2	24	111345	Spacer, short	1
3	111356	Filler, rubber, right shroud	1	25	111344	Spacer, long	1
4	308878	Washer, rivet	2	26	111357	Body, carb. heater, (for models without heater)	1
5	160787	Shroud assy., front	1		818523	Body, carb. heater, (for models with heater)	1
6	800019	Screw, 1/4-20 x 1/2	6	27	800176	Speed nut, no. 10a	3
7	306396	Lockwasher, 1/4	5	28	800344	Screw, no. 10	3
8	111546	Filler, rubber, throttle	1	29	160785	Body assy., air mixer	1
9	306888	Screw, no. 10	1	30	160786	Shroud assy., left cylinder	1
10	111506	Bushing	1	31	111347	Filler, rubber, manifold	1
11	306531	Nut, no. 10-24	1	32	111567	Spring	1
12	800175	Speed nut, 1/8	2	33	111366	Shroud, fuel pump	1
13	308087	Washer, no. 6	1	34	800344	Screw, no. 10	2
14	800196	Speed nut, type j, 1/4-20	4	35	800176	Speed nut, no. 10a	2
15	111346	Pin	1	36	800019	Screw, 1/4-20 x 1/2	8
16	160781	Shutter assy.	1	37	120052	Lockwasher, no. 10	1
17	111350	Thermostat, air mixer	1	38	111363	Shroud, rear	1
18	306320	Nut, hex., 5/16-24	1	39	816987	Seal, baffle, rear	1
19	600014	Screw, 1/4-20 x 1-3/4	1	40	816980	Seal, side, front	2
20	306419	Screw, hex. hd., 1/4-20 x 1/2	1	41	816983	Seal, side center, right	1
21	883284	Shroud assy., center	1	42	816988	Seal, side center, left	1
22	111359	Cover, carb. heater, (for models without heater)	1	43	816981	Seal, side, rear	2
	818524	Cover, carb. heater, (for models with heater)	1	44	800173	Speed nut, 1/4	8

INDENTED PART NAMES INDICATE THESE PARTS ARE INCLUDED IN PRECEDING ASSEMBLY.

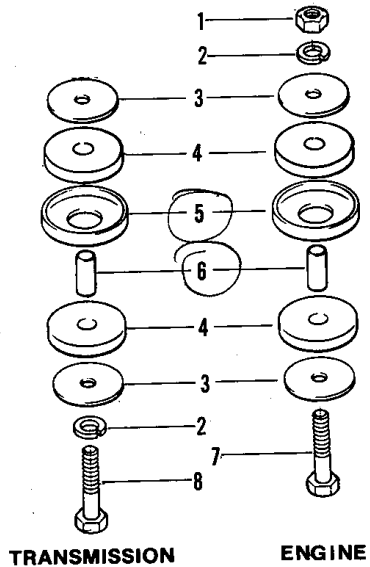
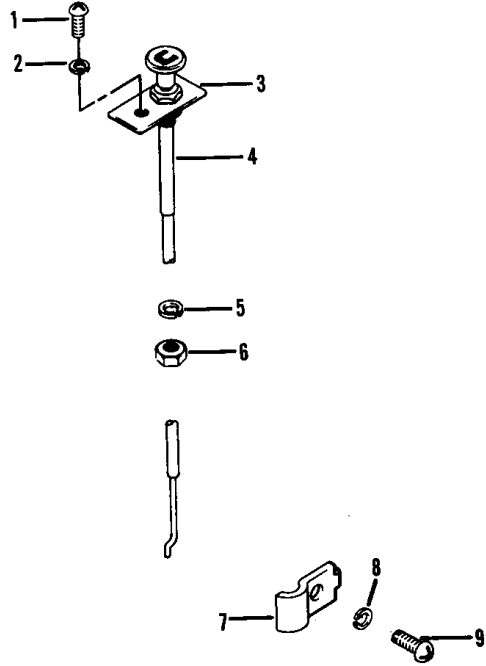


THROTTLE

Ref. No.	Part No.	Description	Qty.	Ref. No.	Part No.	Description	Qty.
1	306416	Screw, hex. hd., 5/16-18 x 1..	2	9	817117	Pin, throttle rod	1
2	103867	Washer, plain, 5/16	4	10	817302	Rod, throttle	1
3	162276	Throttle control assy.	1	11	813884	Mat, throttle pedal	1
4	306325	Lockwasher, 5/16	2	12	880682	Pivot assy., throttle pedal ...	1
5	306932	Nut, hex., 5/16-18	2	13	120052	Lockwasher, no. 10	2
6	306328	Cotter pin, 3/32 x 3/4	1	14	800271	Screw, p.t.h., no. 10-24 x 1/2.	2
7	308090	Washer, plain, 1/4	1	15	817303	Clip, clevis	1
8	800303	Washer, spring, 1/4	1	16	817103	Spring, throttle return	1

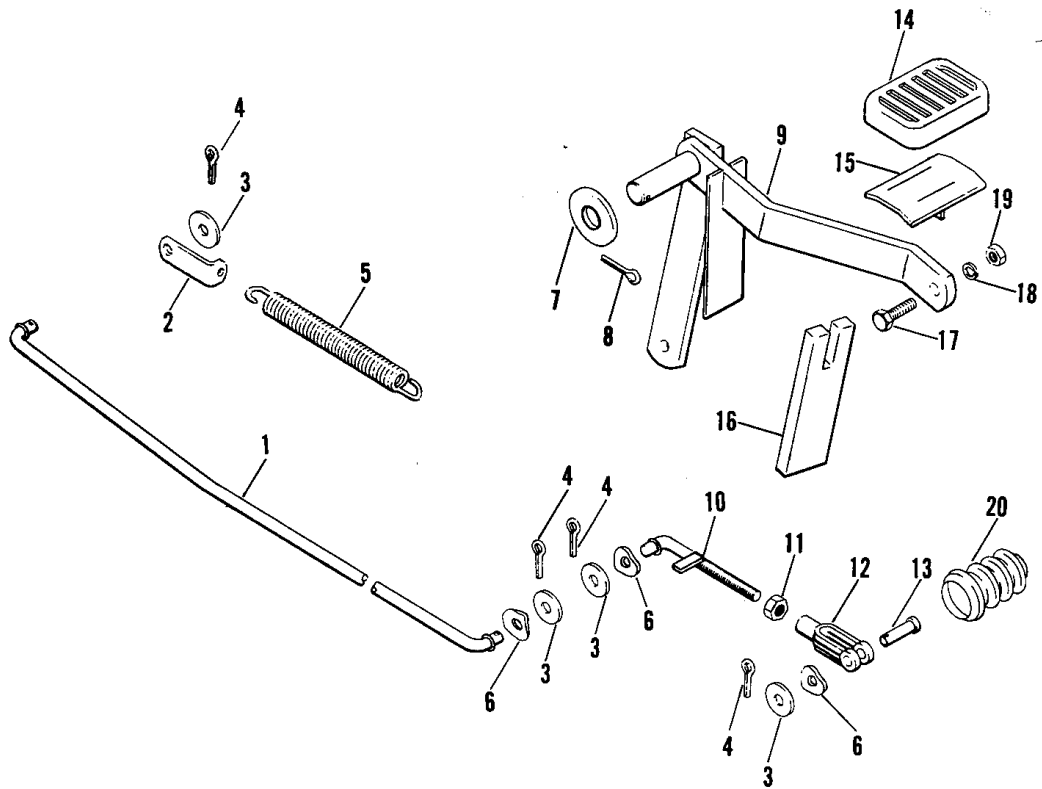
CHOKE CONTROL

Ref. No.	Part No.	Description	Qty.
1	800019	Screw, 1/4-20 x 1/2	1
2	306396	Lockwasher, 1/4	1
3	880627	Plate assy., choke & throttle	1
4	814070	Cable, choke	1
5	120177	Lockwasher, 3/8	1
6	306388	Nut, 3/8-24	1
7	111898	Clamp, cable	1
8	120052	Lockwasher, no. 10	1
9	306460	Screw, no. 10-24 x 3/8	1



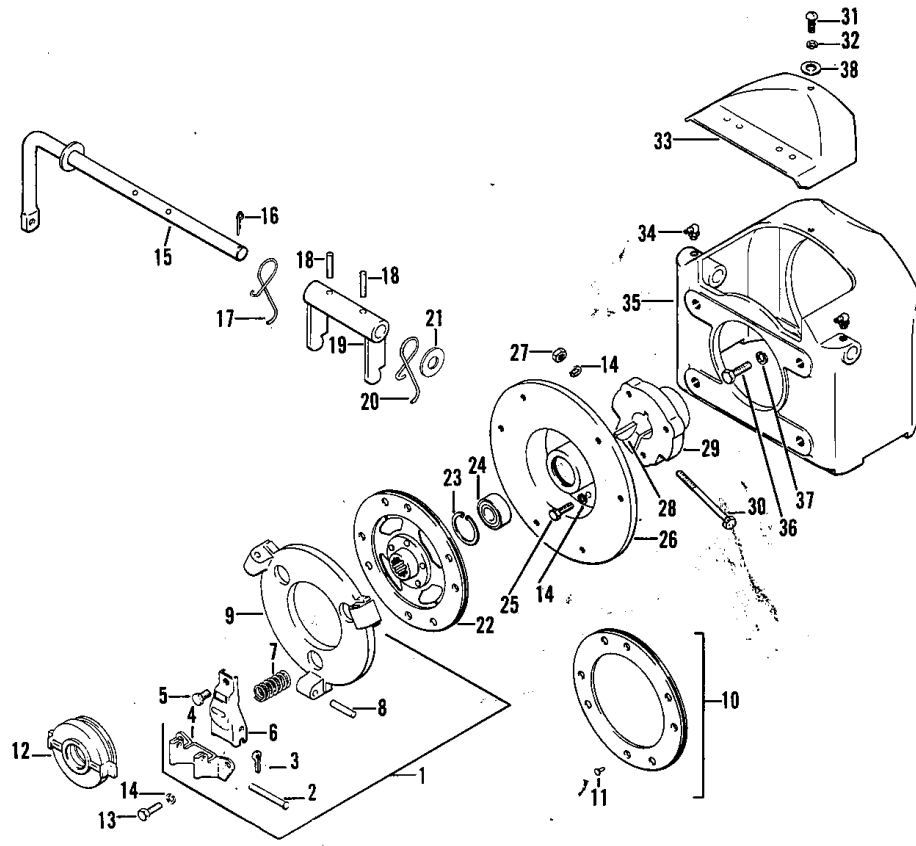
TRANSMISSION & ENGINE MOUNTS

Ref. No.	Part No.	Description	Qty.
1	306562	Nut, hex., 3/8-16	2
2	120177	Lockwasher, 3/8	4
3	809174	Washer, special	8
4	806493	Engine mount, rubber	8
5	809242	Retainer, engine mounting	4
6	808959	Bushing, engine mount	4
7	311391	Screw, hex. hd., 3/8-16 x 4	2
8	306836	Screw, hex. hd., 3/8-16 x 2-1/4	2



CLUTCH CONTROLS

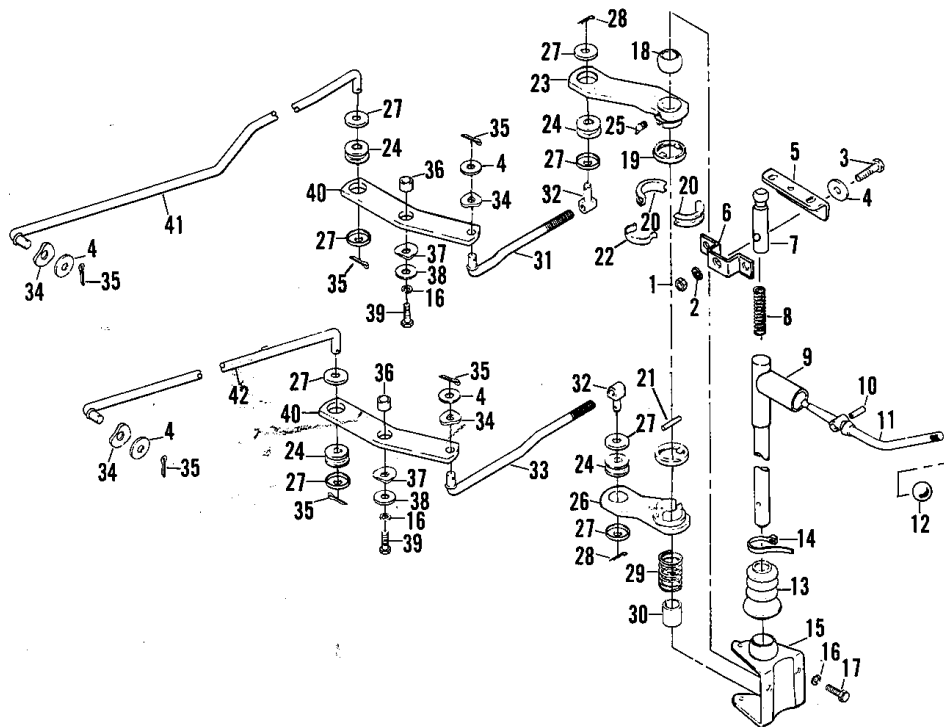
Ref. No.	Part No.	Description	Qty.	Ref. No.	Part No.	Description	Qty.
1	815449	Rod, clutch pedal	1	11	306320	Nut, hex., 5/16-24	1
2	808638	Bracket, return spring, clutch	1	12	810722	Yoke, adjusting	1
3	103867	Washer, plain, 5/16	4	13	814079	Pin, clutch rod clevis	1
4	306328	Cotter pin, 3/32 x 3/4	4	14	810152	Cover, foot pedal	1
5	805376	Spring, clutch return	1	15	878548	Pedal assy.	1
6	800254	Washer, wave, 5/16	3	16	814349	Seal, brake	1
7	809196	Washer	1	17	306414	Screw, hex. hd., 3/8-16 x 1	1
8	304635	Cotter pin, 1/8	1	18	120177	Lockwasher, 3/8	1
9	879438	Arm assy., clutch pedal	1	19	306562	Nut, hex., 3/8-16	1
10	883668	Rod assy., clutch lever	1	20	811928	Boot	1



CLUTCH

Ref. No.	Part No.	Description	Qty.	Ref. No.	Part No.	Description	Qty.
1	882339	Plate, pressure	1	20	812903	Spring	1
2	812914	Pin	3	21	809156	Washer, thrust, axle	1
3	306372	Pin, cotter, 3/32 x 1/2	3	22	882343	Disc assy., driven	1
4	812913	Bracket	3	23	809260	Snap ring, bearing retaining	1
5	812917	Screw	3	24	812899	Bearing, Pilot	1
6	812916	Lever	3	25	306416	Screw, hex. hd., 5/16-18 x 1	3
7	879552	Spring set, incl. three	1	26	812898	Plate, clutch mounting	1
8	812912	Pin	3	27	306932	Nut, hex., 5/16-18	1
9	812911	Plate, pressure	1	28	307662	Key, 15 woodruff	1
10	878856	Lining set	1	29	812896	Adapter	1
11	800222	Rivet	8	30	131590	Screw, 5/16-18 x 3	1
12	882134	Bearing, throwout	1	31	306460	Screw, no. 10-24 x 3/8	1
13	306555	Screw, 5/16-18 x 5/8	6	32	120052	Lockwasher, no. 10	1
14	306325	Lockwasher, 5/16	10	33	878869	Cover assy., clutch	1
15	878855	Lever assy., clutch, throwout	1	34	807442	Fitting, lub., 1/4-28, 90 deg.	2
16	120219	Cotter pin, 3/32 x 1	1	35	812897	Housing, clutch	1
17	812902	Spring	1	36	130538	Screw, 7/16-14 x 1-1/4	4
18	306971	Roll pin, lever, 3/16 x 1-1/8	2	37	303269	Lockwasher, 7/16	4
19	878854	Yoke assy., clutch release	1	38	308089	Washer, no. 10	1

INDENTED PART NAMES INDICATE THESE PARTS ARE INCLUDED IN PRECEDING ASSEMBLY.

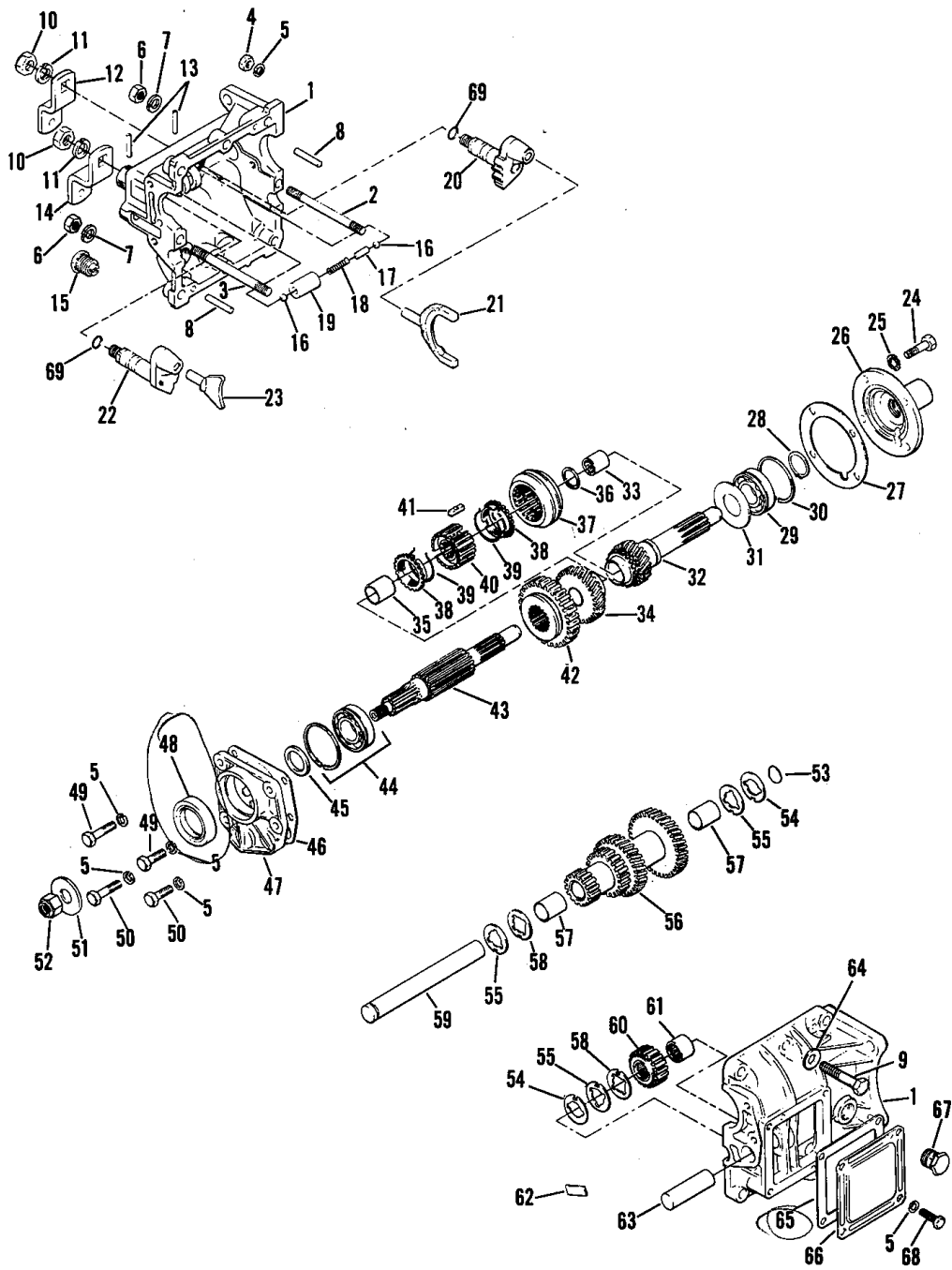


SHIFTER LINKAGE

Ref. No.	Part No.	Description	Qty.	Ref. No.	Part No.	Description	Qty.
1	306932	Nut, hex., 5/16-18	2	25	112279	Fitting, grease	1
2	306325	Lockwasher, 5/16	2	26	878875	Lever assy., sec. & high	1
3	306322	Screw, 5/16-18 x 7/8	2	24	813007	Bushing, lever	1
4	103867	Washer, plain, 5/16	6	27	814502	Washer, shifter rod	8
5	824182	Bracket, steering housing	1	28	821164	Pin, hair	2
6	820969	Bracket, shift shaft clamp, upper	1	29	813011	Spring, gear shift	1
7	820965	Shaft, shift support, upper	1	30	816800	Bushing, shift lever, stop	1
8	813003	Spring, shifter shaft	1	31	880809	Rod, gear shift, low & rev., front	1
9	878873	Shaft assy., gear shift	1	32	817495	Pin, gear shift rod	1
10	306971	Roll pin, lever, 3/16 x 1-1/8	2	33	880829	Rod, gear shift, high & sec., front	1
11	883411	Lever, gear shift	1	32	817495	Pin, gear shift rod	1
12	812997	Knob, shift lever	1	34	800254	Washer, wave, 5/16	4
13	811928	Boot	1	35	306328	Cotter pin, 3/32 x 3/4	6
14	320107	Tie strap, shift boot	1	36	815678	Bearing, shifter pivot	2
15	880921	Bracket assy., gear shift	1	37	800251	Washer, bowed	2
16	306396	Lockwasher, 1/4	4	38	815680	Washer, shifter pivot	2
17	306419	Screw, hex. hd., 1/4-20 x 1/2	2	39	300646	Screw, 1/4-20 x 3/4	2
18	813005	Spacer, shaft	1	40	880132	Arm assy., pivot, gear shift	2
19	813008	Seal, dust, gear shift	2	24	813007	Bushing, lever	2
20	813009	Spacer, dirt seal	2	41	815357	Rod, gear shift, low & rev., rear	1
21	813004	Pin, selector	1	42	815358	Rod, gear shift, high & sec., rear	1
22	813010	Retainer, spacer, dust seal	1				
23	880337	Lever assy., low & reverse, complete	1				
24	813007	Bushing, lever	1				

INDENTED PART NAMES INDICATE THESE PARTS ARE INCLUDED IN PRECEDING ASSEMBLY.

TRANSMISSION



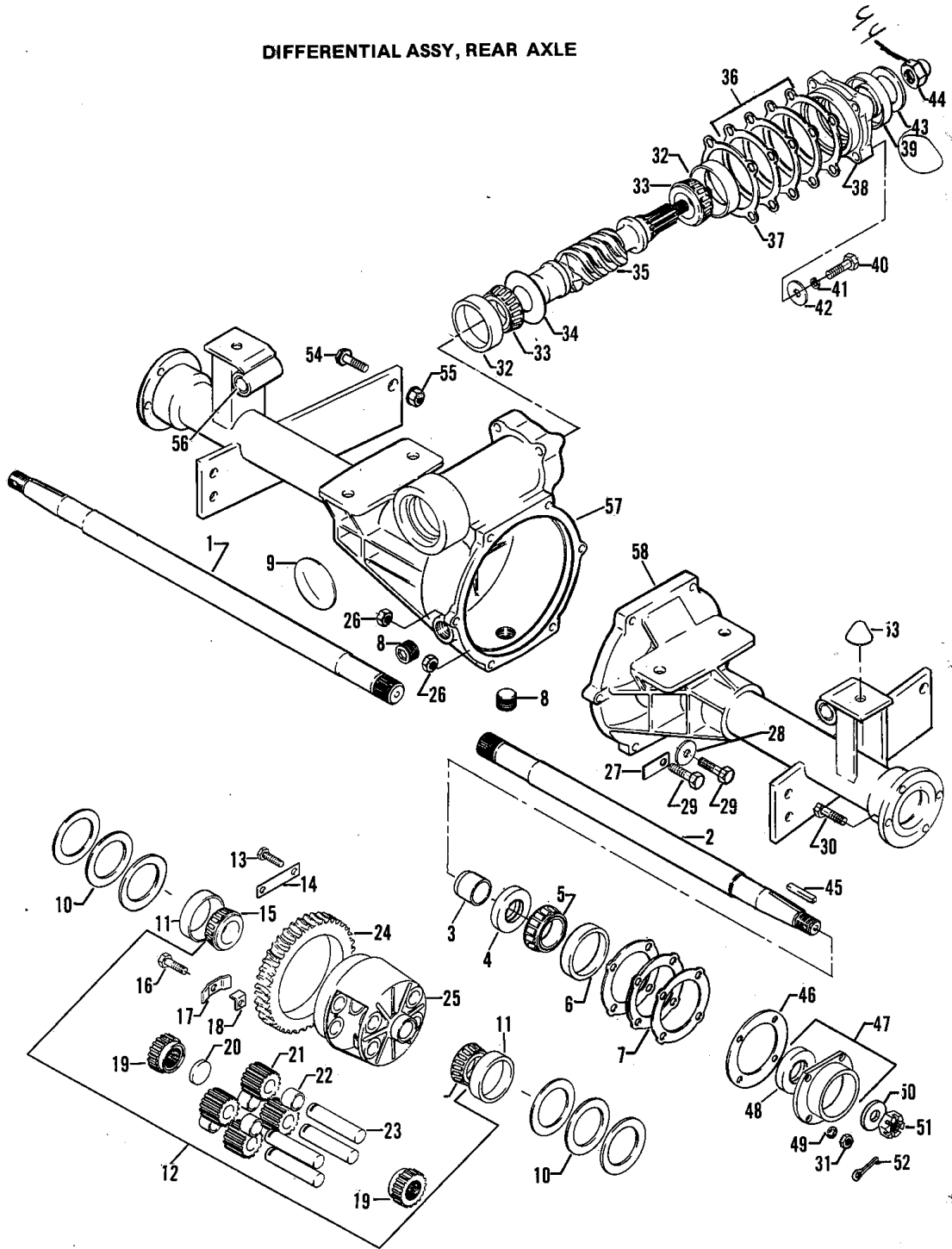
TRANSMISSION

Ref. No.	Part No.	Description	Qty.	Ref. No.	Part No.	Description	Qty.
	880572	Transmission, less p.t.o.	1	30	814628	. . Ring, retaining	1
1	879798	. Case assy., transmission ...	1	31	809211	. Slinger, oil	1
2	815134	. . Stud, front, 5/16	1	32	879804	. Gear assy., main drive, with bearing	1
3	815133	. . Stud, rear, 3/8	1	33	815171	. . Bearing, main drive	1
4	306932	. . Nut, hex., 5/16-18	1	34	879803	. Gear assy., second, with bearing	1
5	306325	. . Lockwasher, 5/16	9	35	815163	. . Bearing, second gear	1
6	306562	. . Nut, hex., 3/8-16	7	36	815169	. Ring, retaining, clutch hub	1
7	120177	. . Lockwasher, 3/8	7	37	815166	. Sleeve, clutch, second high	1
8	111043	. . Pin, taper	2	38	815164	. Ring, synchronizer	2
9	131794	. . Screw, 3/8-16 x 2	6	39	815168	. Spring, synchronizer	2
10	301988	. Nut, 1/2-20	2	40	815165	. Hub, clutch, sec. & high	1
11	120166	. . Lockwasher, 1/2	2	41	815167	. Plate, shifting	3
12	815146	. Shifter arm, sec. & high, cont. lever	1	42	815161	. Gear, low & reverse	1
13	603102	. Pin, spiral	2	43	815159	. Main shaft	1
14	815145	. Shifter arm, low & rev., cont. lever	1	44	815160	. Bearing, ball, w/ring	1
15	111074	. Plug, drain, magnetic	1	45	815180	. Spacer, companion flg.	1
16	800131	. Ball, interlock 5/16	2	46	815175	. Gasket, retainer	1
17	815137	. Pin, interlock	1	47	815176	. Retainer, rear bearing	1
18	815138	. Spring, interlock	1	48	815177	. Seal, oil, main shaft	1
19	815139	. Sleeve, 1.259", long	1	49	306416	. Screw, hex. hd., 5/16-18 x 1	2
		or		50	306435	. Screw, 5/16-18 x 1-1/4	2
	815140	. Sleeve, 1.255", long, "a" ..	1	51	809180	. Washer, 1/2	1
		or		52	800198	. Locknut, hex., 1/2-20	1
	815141	. Sleeve, 1.251", long, "b" ..	1	53	823544	. Plug, expansion	2
		or		54	815150	. Washer, thrust, .024 thick ..	#
	815142	. Sleeve, 1.247", long, "c" ..	1	55	815154	. Washer, thrust, .036 thick ..	#
		or		56	879802	. Gear assy., cluster	1
	815143	. Sleeve, 1.243", long, "d" ..	1	57	815153	. . Bearing, cluster gear	2
	822238	. Sleeve, interlock, 1.263	1	58	816503	. Washer, thrust, .048 thick ..	#
	822239	. Sleeve, interlock, 1.267	1	59	815155	. Jackshaft	1
20	879800	. Lever assy., shift, sec. & high	1	60	879801	. Gear assy., rev. idler, with bearing	1
21	815158	. Fork, sec. & high shift	1	61	815149	. . Bearing, idler	1
22	879799	. Lever assy., shift, low & reverse	1	62	815156	. Plate, shaft & lock	1
23	815157	. Fork, low & rev. shift	1	63	815151	. Shaft, rev. idler	1
24	306322	. Screw, 5/16-18 x 7/8	4	64	306981	. Washer, plain, 3/8	6
25	815755	. Lockwasher, 5/16	4	65	815178	. Gasket, side plate, p.t.o.	1
26	815174	. Retainer, front bearing	1	66	815179	. Cover, side plate, p.t.o.	1
27	815173	. Gasket, retainer	1	67	111071	. Plug, drain, 1/2 pipe	1
28	809254	. Ring, retaining	1	68	306450	. Screw, 5/16-18 x 3/4	4
29	814627	. Bearing, ball, w/ring	1	69	807624	. O ring, shaft	2

As required.

INDENTED PART NAMES INDICATE THESE PARTS ARE INCLUDED IN PRECEDING ASSEMBLY.

DIFFERENTIAL ASSY, REAR AXLE

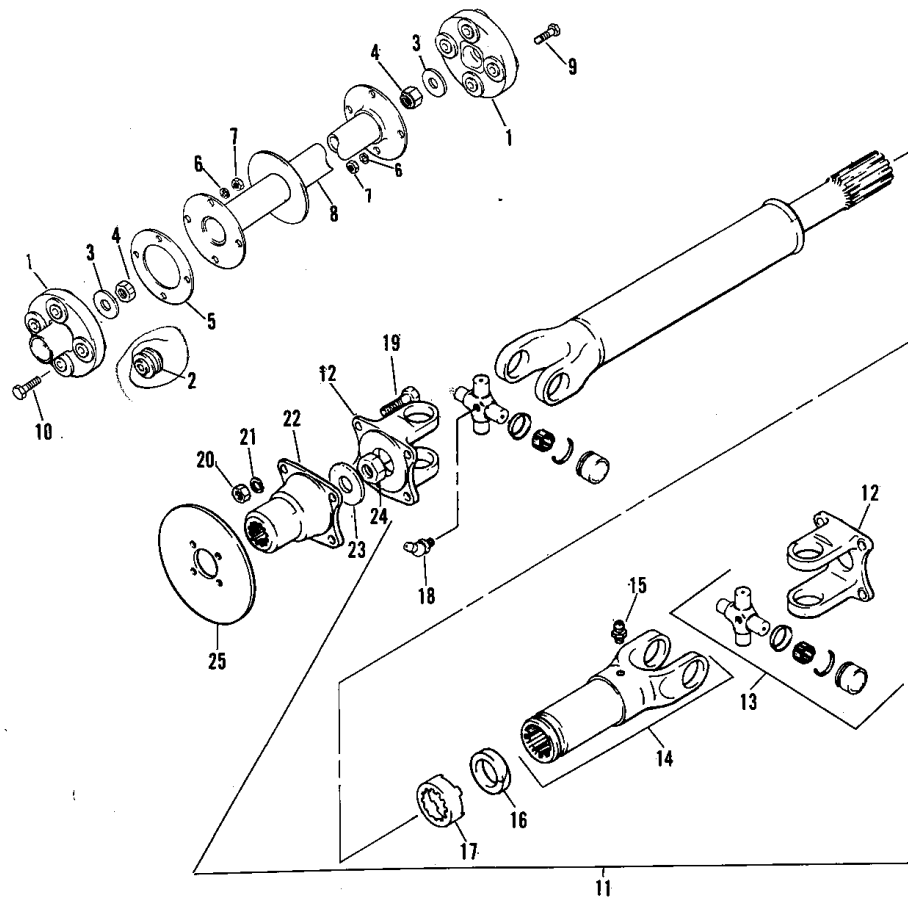


DIFFERENTIAL ASSY, REAR AXLE

Ref. No.	Part No.	Description	Qty.	Ref. No.	Part No.	Description	Qty.
	879963	Rear axle assy., worm gear, (10.25:1)	1		815323	. Tag, diff. ratio , (6.5:1)	1
	879750	Rear axle assy., worm gear, (.2:1)	1	28	815324	. Tag, diff. ratio, (4.71:1)	1
	879898	Rear axle assy., worm gear, (6.5:1)	1	29	103867	. Washer, plain, 5/16	5
	879899	Rear axle assy., worm gear, (4.71:1)	1	30	304055	. Screw, 5/16-18 x 1-3/8	6
1	880261	. Axle shaft, left	1	31	806251	. Screw, special	8
2	880259	. Axle shaft, right	1	32	306932	. Nut, hex., 5/16-18	8
3	815404	. Sleeve, bearing support	1	33	814476	. Cup, roller bearing	2
4	814477	. Seal, axle	2	34	814475	. Cone, roller bearing	2
5	814473	. Cone, roller bearing	2	35	814478	. Slinger, oil	1
6	814474	. Cup, roller bearing	2	36	814203	. Worm, (10.25:1)	1
7	805320	. Shim, (.005)	#		816035	. Worm, (8.2:1)	1
	805321	. Shim, (.010)	#		814128	. Worm, (6.5:1)	1
	805322	. Shim, (.030)	#		815059	. Worm, (4.71:1)	1
8	800356	. Plug, filler and drain	2	36	816515	. Shim, retainer, .003	#
9	818226	. Plug, 2-1/2	1		814466	. Shim, retainer, .005	#
10	814469	. Shim, bearing, .003	#	37	814467	. Shim, retainer, .010	#
	814470	. Shim, bearing, .005	#	38	814468	. Shim, retainer, .030	#
	814471	. Shim, bearing, .010	#	39	814465	. Gasket, retainer	2
11	320122	. Cup, carrier bearing	2	40	814226	. Retainer, bearing	1
12	879749	. Carrier assy., gear, (8.2:1)	1	41	812335	. Seal, bearing	1
13	816812	. Screw, special	1	42	551094	. Screw, hex. hd., 3/8-16 x 1-3/4	4
14	815794	. Lock plate	1	43	120177	. Lockwasher, 3/8	4
15	386767	. Cone & roller assy.	2	44	306405	. Washer, plain, 3/8	4
16	306555	. Screw, 5/16-18 x 5/8	2	45	809180	. Washer, 1/2	1
17	816823	. Plate, retaining, gear shift.	2	46	800198	. Locknut, hex., 1/2-20	1
18	816824	. Plate, lock, retaining screw	2	47	805875	. Key, wheel hub, rear	2
19	814481	. Gear, axle shaft	2	48	808303	. Gasket, hub seal retainer	2
20	814484	. Spacer, axle	1	49	879476	. Retainer assy., rear whl. hub, oil seal	2
21	814482	. Gear, diff. planet	4	50	814488	. Seal	1
22	814483	. Spacer, planet gear	4	51	306325	. Lockwasher, 5/16	8
23	816825	. Shaft, planet, diff. gear	4	52	809156	. Washer, thrust, axle	2
24	816036	. Worm gear, (8.2:1)	1	53	805843	. Nut, hub axle mnt., rear	2
25	814479	. Housing, diff. carrier case	1	54	304636	. Cotter pin, 1/8 x 1-1/8	2
12	879962	. Carrier assy., gear, (10.25:1)	1	55	813850	. Bumper, travel limit, rear axle	2
	879893	. Carrier assy., gear (6.5:1)	1	56	800380	. Screw, whiz lock, 1/2-13 x 1-1/4	4
	879895	. Carrier assy., gear, (4.71:1)	1	57	800379	. Nut, whiz lock, 1/2-13	4
26	800290	. Locknut, 5/16-18	6	58	805196	. Bushing, shackle bolt	2
27	815490	. Tag, diff. ratio, (10.25:1)	1		881510	. Housing half	1
	816045	. Tag, diff. ratio, (8.2:1)	1		881810	. Housing half	1

As required.

INDENTED PART NAMES INDICATE THESE PARTS ARE INCLUDED IN PRECEDING ASSEMBLY.

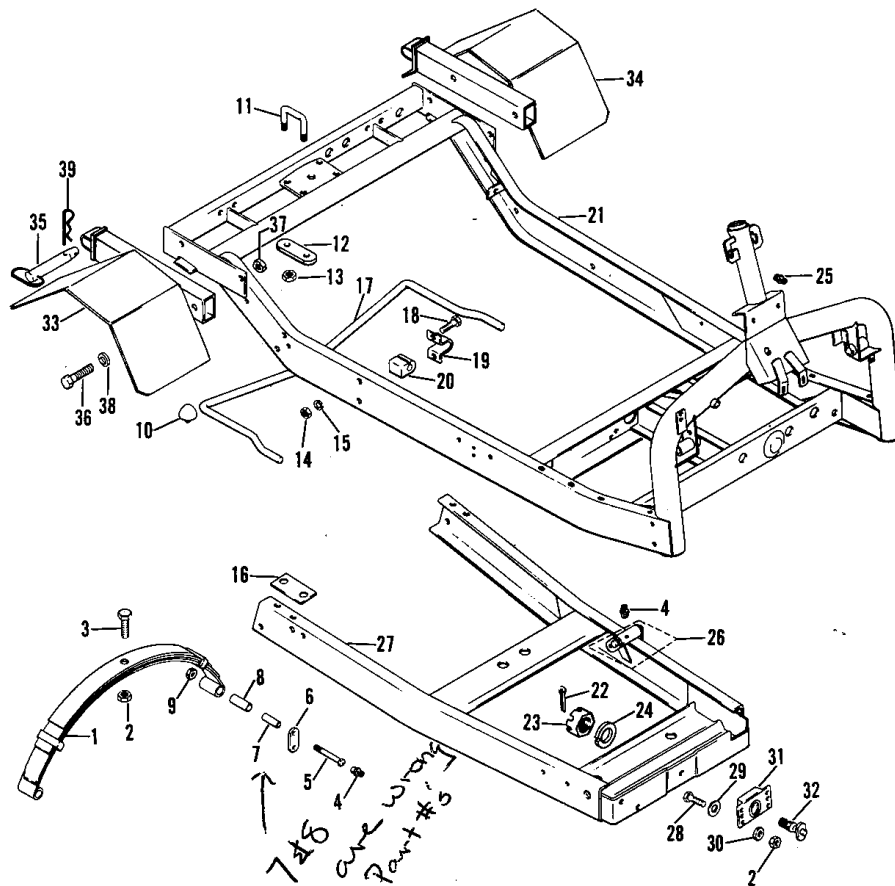


DRIVE SHAFT

Ref. No.	Part No.	Description	Qty.	Ref. No.	Part No.	Description	Qty.
1	878534	Coupling assy., flex, (no. 45)	2	12	817334	. Yoke	2
2	810143	. Bushing	8	13	817335	. Universal joint	2
3	809180	Washer, 1/2	2	14	817338	. Sleeve, w/plug	1
4	800198	Locknut, hex., 1/2-20	2	15	807439	. Fitting, lub., straight, 1/4-28	1
5	812327	Spacer, driveshaft	3	16	817427	. Seal, cork	1
6	306325	Lockwasher, 5/16	8	17	817336	. Cap, dust	1
7	306932	Nut, hex., 5/16-18	8	18	807443	. Fitting, lub., 1/4-28, 45 deg	2
8	882986	Shaft assy., drive	1	19	306322	Screw, 5/16-18 x 7/8	8
*	882985	Shaft, aux. trans., drive	1	20	306932	Nut, hex., 5/16-18	8
*	883815	Shaft assy., 1 ton drive (1976 & prior)	1	21	306325	Lockwasher, 5/16	8
9	306423	Screw, 5/16-18 x 1 3/4	4	22	816802	Flange, shaft	2
10	311411	Screw, 5/16-18 x 1-5/8	4	23	809180	Washer, 1/2	2
11	816801	Drive shaft, complete, (1 ton, 1976 & prior)	1	24	800198	Locknut, hex., 1/2-20	2
				25	822767	Disc, brake	1

* Not shown.

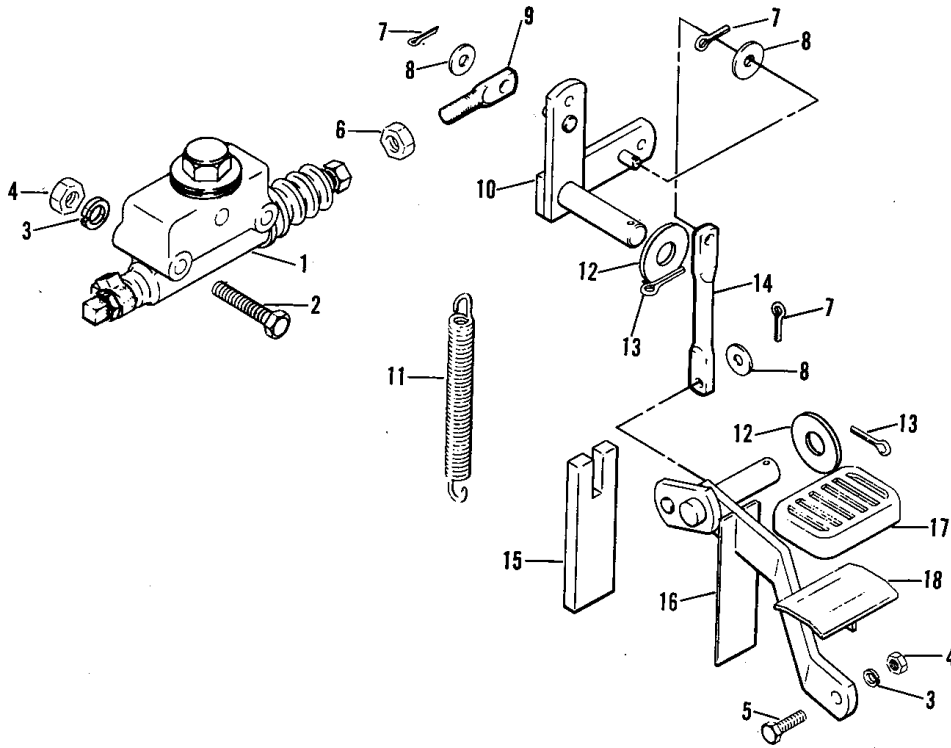
INDENTED PART NAMES INDICATE THESE PARTS ARE INCLUDED IN PRECEDING ASSEMBLY.



CHASSIS & FENDERS

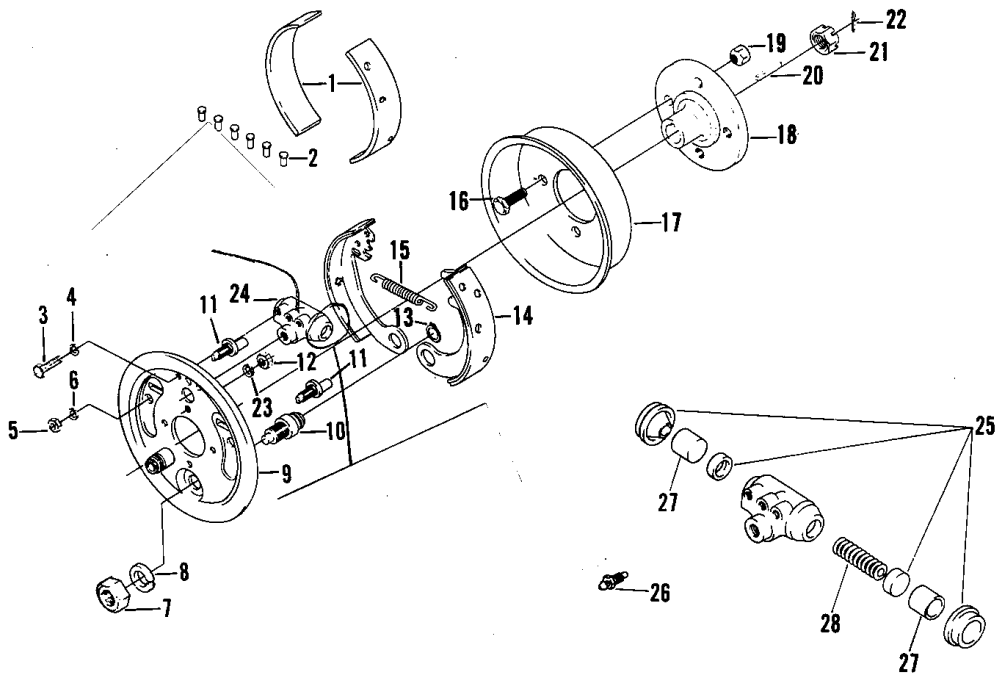
Ref. No.	Part No.	Description	Qty.	Ref. No.	Part No.	Description	Qty.
1	875142	Spring bushing assy., rear . . .	1	22	120310	Cotter pin, 1/8 x 1-1/2	1
2	306932	. Nut, hex., 5/16-18	1	23	306839	Nut, castle, 5/8-18	1
3	806252	. Center bolt, shackle	1	24	306494	Lockwasher, 5/8	1
4	821734	. Bushing, spring end	2	25	319253	Fitting, lub., 1/4-28, 30 deg.	1
5	807442	Fitting, lub., 1/4-28, 90 deg.	2	26	878852	Pivot assy., clutch	1
6	806253	Screw, shackle	4	27	882983	Power frame assy.	1
7	805953	Arm, spring shackle, sides	4	28	306450	Screw, 5/16-18 x 3/4	4
8	808996	Bushing, spring shackle	4	29	103867	Washer, plain, 5/16	4
9	800292	Locknut, shackle, hex. 3/8-16	4	30	306325	Lockwasher, 5/16	4
10	813850	Bumper, travel limit, rear axle	2	31	813679	Mount, power frame	1
11	815416	U-bolt, rear spring	2	32	878485	Stud assy., power frame mounting	1
12	812218	Plate, spring mounting, rear	2	33	883853	Support & fender assy., box, right	1
13	800294	Locknut, hex., 7/16-14	4	34	883854	Support & fender assy., box, left	1
14	306562	Nut, hex., 3/8-16	8	35	882971	Pin assy., pivot, box	2
15	120177	Lockwasher, 3/8	8	36	311416	Screw, 3/8-16 x 2-3/8	4
16	816517	Plate, stabilizer bar	2	37	800351	Nut, hex., 3/8-16	4
17	816715	Bar, stabilizer, rear	1	38	809168	Washer, 3/8	4
18	306835	Screw, 3/8-16 x 1 1/4	8	39	809265	Pin, hair	2
19	812215	Bracket, stabilizer bar	4				
20	816667	Block, stabilizer bar, rubber	4				
21	883829	Frame assy., 3 wheel	1				

INDENTED PART NAMES INDICATE THESE PARTS ARE INCLUDED IN PRECEDING ASSEMBLY.



BRAKE CONTROLS

Ref. No.	Part No.	Description	Qty.	Ref. No.	Part No.	Description	Qty.
1	883468A	Cylinder, master, (see page 63)	1	10	879246	Bellcrank, brake	1
2	311213	Screw, hex. hd., 3/8-16x3	2	11	823089	Spring, park brake, return	1
3	120177	Lockwasher, 3/8	3	12	809196	Washer	2
4	306562	Nut, hex., 3/8-16	3	13	304635	Cotter pin, 1/8	2
5	306414	Screw, hex. hd., 3/8-16x1	1	14	812367	Rod, brake pedal	1
6	130981	Nut, 7/16-20	1	15	814349	Seal, brake	1
7	306328	Cotter pin, 3/32 x 3/4	3	16	879439	Arm assy., brake pedal	1
8	103867	Washer, plain, 5/16	3	17	810152	Cover, foot pedal	1
9	812364	Brake rod, master cylinder	1	18	878548	Pedal assy.	1

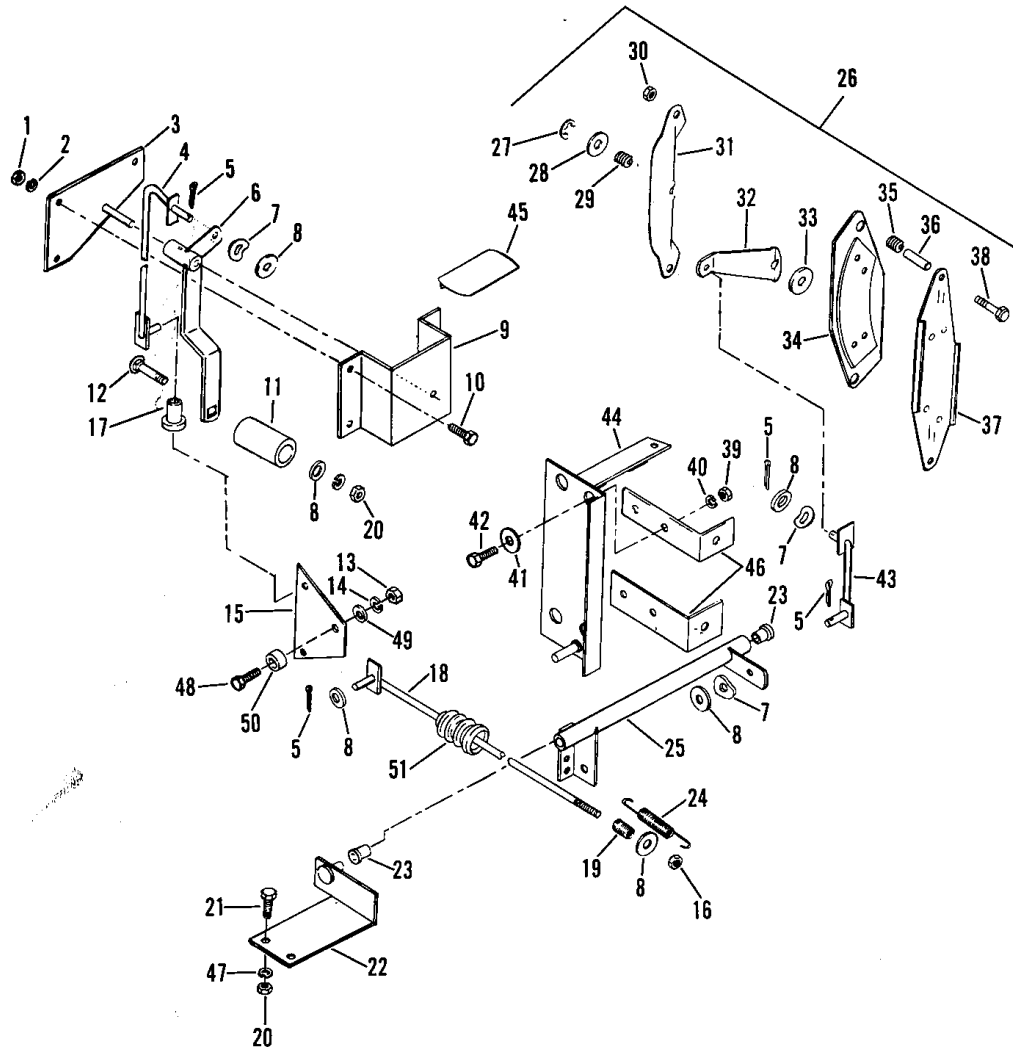


**REAR HUB, DRUM, BRAKE
AND WHEEL CYLINDER**

Ref. No.	Part No.	Description	Qty.	Ref. No.	Part No.	Description	Qty.
1	878159	Lining set	1	16	806274	Screw, wheel mounting, long, 1-7/16	4
2	800318	Rivet, brass tubular, 3-4	12	17	805030	Drum, brake, rear	1
3	306419	Screw, 1/4-20 x 1/2	2	18	815432	Hub, rear wheel (5.00x8 tires)	1
4	306396	Lockwasher, 1/4	4		821152	Hub, rear wheel (speedometer mod.)	1
5	306319	Nut, 3/8-24	2	19	805860	Nut, 7/16-20	4
6	306353	Lockwasher, 3/8	2	20	805875	Key, wheel hub, rear	1
7	130084	Nut, 5/8-18	1	21	805843	Nut, hub axle mnt., rear	1
8	306494	Lockwasher, 5/8	1	22	304636	Cotter pin, 1/8 x 1-1/8	1
9	883026	Shield assy., dust, right wheel	1	23	306325	Lockwasher, 5/16	1
9	883027	Shield assy., dust, left wheel	1	24	807343	Cylinder, wheel	1
10	806758	Pin, heel	1	25	811775	Repair kit, wheel cylinder	1
11	806761	Pin, adjustment	2	26	811794	Bleeding nipple	1
12	306932	Nut, 5/16-18	4	27	811910	Piston, wheel cylinder	2
13	809252	Snap ring, bearing retaining	1	28	811911	Spring, wheel cylinder	1
14	876324	Lining assy., brake shoe	2				
15	805441	Spring, brake shoe	1				

INDENTED PART NAMES INDICATE THESE PARTS ARE INCLUDED IN PRECEDING ASSEMBLY.

PARKING BRAKE

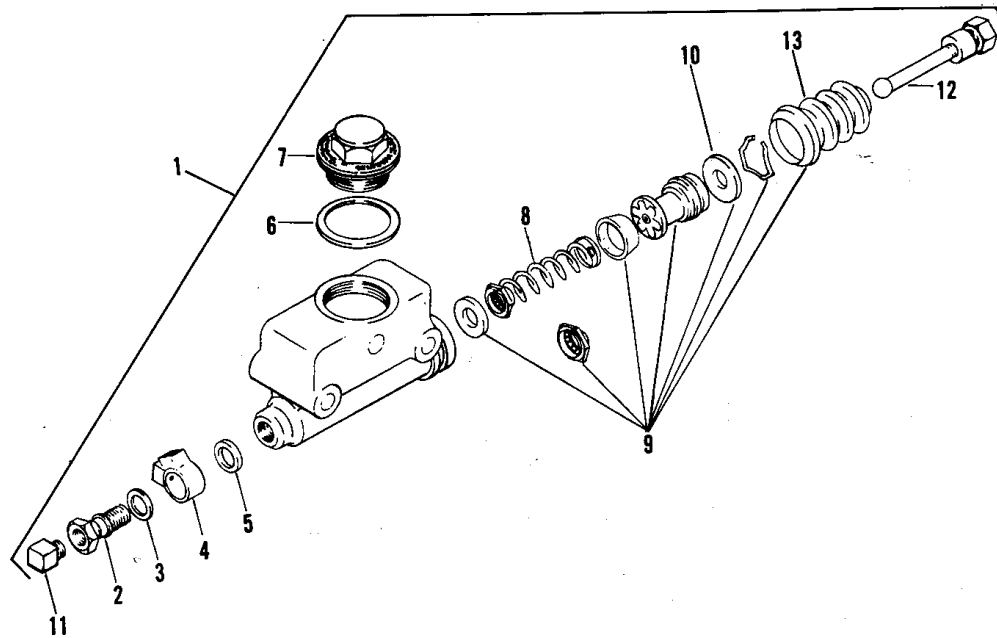


PARKING BRAKE

Ref. No.	Part No.	Description	Qty.	Ref. No.	Part No.	Description	Qty.
1	306375	Nut, hex., 1/4-20	3	27	823462	Snap ring, external	1
2	306396	Lockwasher, 1/4	3	28	823461	Washer, flat	1
3	882976	Bracket assy., pivot	1	29	823460	Spring	1
4	882977	Rod assy., brake, upper	1	30	823466	Nut, self-locking, 3/8-24	2
5	306328	Cotter pin, 3/32 x 3/4	5	31	823459	Bracket, cam actuator	1
6	884054	Handle assy., brake	1	32	823458	Cam, 30 degree	1
7	800254	Washer, wave, 5/16	3	33	823457	Washer, flat	1
8	306453	Washer, plain, 5/16	7	34	884079	Plate, stud w/lining	1
9	823056	Bracket, brake handle	1	35	823465	Spring	2
10	800277	Screw, p.t.h., 1/4-20 x 5/8	3	36	823464	Bushing	2
11	821209	Handle, control, brake	1	37	883141	Side assy. w/lining	1
12	800083	Bolt, carriage, rd. hd. 5/16-18 x 2-1/4	1	38	823463	Screw, 3/8-24 x 2-1/4	2
			1	39	306562	Nut, hex., 3/8-16	4
13	306375	Nut, hex., 1/4-20	1	40	120177	Lockwasher, 3/8	4
14	306396	Lockwasher, 1/4	1	41	306981	Washer, plain, 3/8	4
15	823058	Bellcrank, park brake rod	1	42	306414	Screw, hex. hd., 3/8-16 x 1	4
16	800290	Locknut, 5/16-18	1	43	882987	Cam rod assy., park brake	1
17	823057	Grommet, park brake rod	1	*	883966	Cam rod assy., park brake, (1 ton, 1976 & prior)	1
18	882978	Rod assy.	1	44	882973	Plate assy., bracket, park brake	1
19	818020	Spring, brake	1				
20	306932	Nut, hex., 5/16-18	3	*	883210	Plate assy., bracket, park brake (1 ton, 1976 & prior)	1
21	306450	Screw, 5/16-18 x 3/4	2				
22	882992	Bracket assy., rear	1	45	823235	Cover, brake handle	1
*	883817	Bracket assy., bellcrank, rear, (1 ton, 1976 & prior)	1	46	823050	Bracket, caliper, mounting	2
23	823049	Bearing, park brake, rear	2	*	883487	Lining set, brake w/ rivets	1
24	823089	Spring, park brake, return	1	47	306325	Lockwasher, 5/16	3
25	882974	Bellcrank assy., park brake, rear	1	48	300646	Screw, hex hd., 1/4-20 x 3/4	1
			1	49	308090	Washer, plain, 1/4	1
*	883029	Bellcrank assy., park brake, rear (1 ton, 1976 & prior)	1	50	805245	Bushing	1
26	882984	Caliper assy., park brake	1	51	811928	Boot	1

* Not shown.

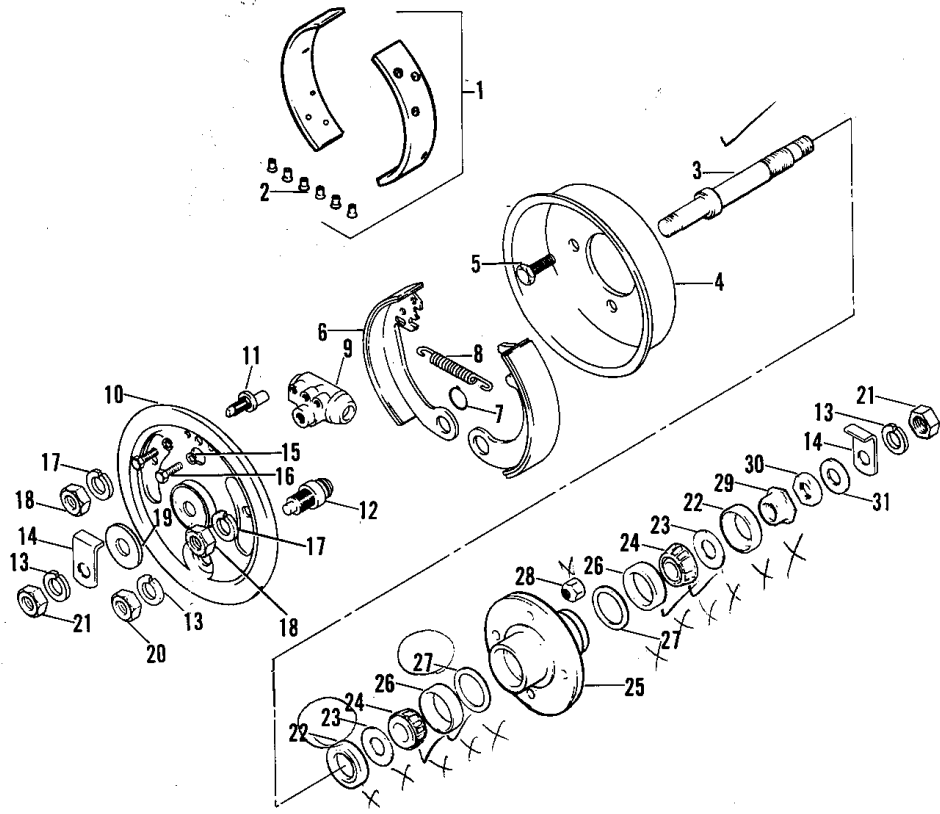
INDENTED PART NAMES INDICATE THESE PARTS ARE INCLUDED IN PRECEDING ASSEMBLY.



MASTER CYLINDER

Ref. No.	Part No.	Description	Qty.	Ref. No.	Part No.	Description	Qty.
1	883468	Cylinder, master	1	8	811917	Spring, master cylinder	1
2	810393	Fitting, screw	1	9	811774	Repair kit, master cylinder	1
3	810444	Washer, outer fitting seal	1	10	811919	Washer, master cylinder	1
4	810448	Fitting, brass "u"	1	11	810823	Plug, square head	1
5	810443	Washer, inner fitting seal	1	12	811918	Push rod, master cylinder	1
6	811929	Gasket, filler cap	1	13	811928	Boot	1
7	883426	Cap, filler	1				

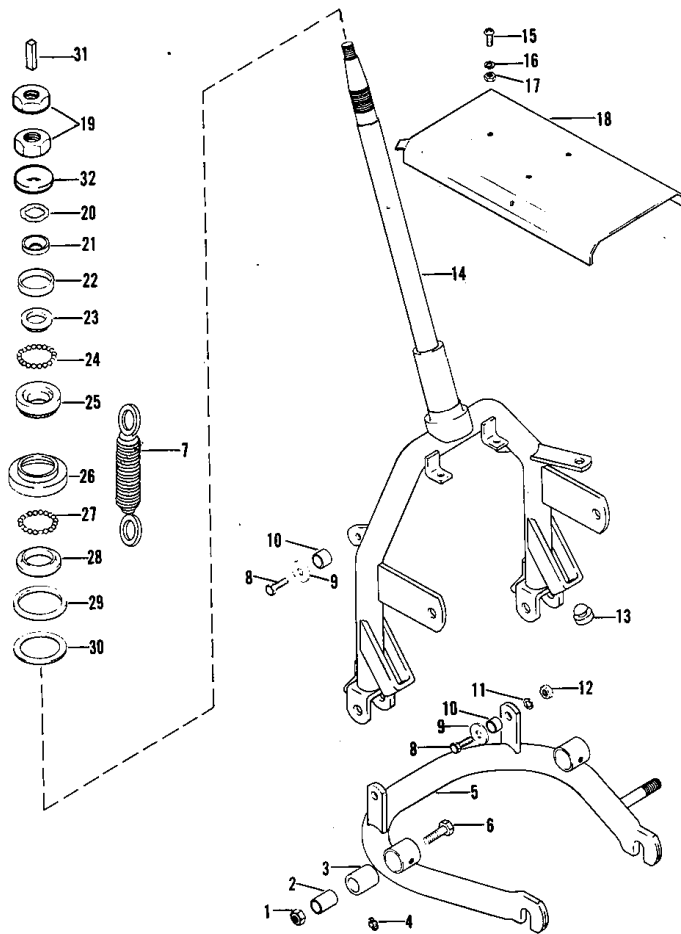
INDENTED PART NAMES INDICATE THESE PARTS ARE INCLUDED IN PRECEDING ASSEMBLY.



FRONT HUB AND BRAKE

Ref. No.	Part No.	Description	Qty.	Ref. No.	Part No.	Description	Qty.
1	878159	Lining set	1	17	306353	Lockwasher, 3/8	2
2	800318	Rivet, brass tubular, 3-4	12	18	306319	Nut, 3/8-24	2
3	878484	Axle assy., front	1	19	809156	Washer, thrust, axle	1
4	805030	Drum, brake, rear	1	20	130084	Nut, 5/8-18	1
5	806274	Screw, wheel mounting, long, 1-7/16	1	21	304104	Nut, 5/8	2
6	876324	Lining assy., brake shoe	4	22	807630	Seal, grease	2
7	809252	Snap ring, bearing retaining	2	23	809229	Flinger, grease seal	2
8	805441	Spring, brake shoe	1	24	385174	Bearing, roller cone	2
9	807343A	Cylinder, wheel (see page 64)	1	25	876409	Hub assy., welded, front	1
10	878483	Brake shield assy., dust, front	1	26	808088	Cup, roller bearing	2
11	806761	Pin, adjustment	1	27	809268	Ring, bearing backing	2
12	806758	Pin, heel	2	28	805860	Nut, 7/16-20	4
13	306494	Lockwasher, 5/8	1	29	805823	Nut, bearing adjusting	1
14	813717	Clip, axle	3	30	805814	Nut, bearing adjusting lock, (bracket retaining)	1
15	306396	Lockwasher, 1/4	2	31	809156	Washer, thrust, axle	1
16	306419	Screw, hex. hd., 1/4-20 x 1/2	2				

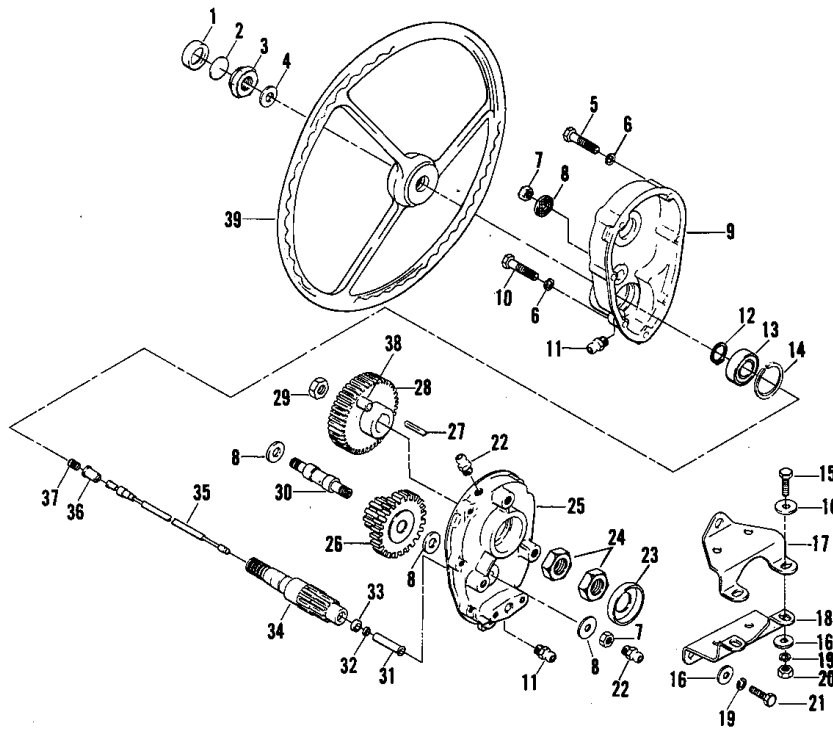
INDENTED PART NAMES INDICATE THESE PARTS ARE INCLUDED IN PRECEDING ASSEMBLY.



FORK

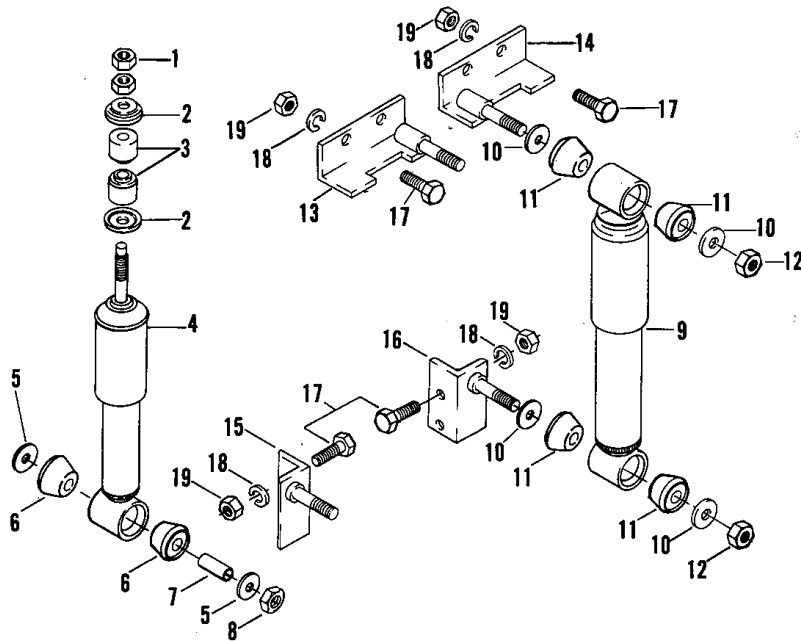
Ref. No.	Part No.	Description	Qty.	Ref. No.	Part No.	Description	Qty.
	879524	Fork assembly	1	16	306396	Lockwasher, 1/4	3
1	800293	Locknut, 7/16	2	17	306375	Nut, hex., 1/4-20	3
2	808969	Bushing	2	18	883769	Cover, splash	1
3	805189	Bearing, side arm	2	19	305134	Nut, hex. jam, 7/8-14	2
4	807439	Fitting, lub., straight, 1/4-28	2	20	809221	Washer, bearing tension, upper	1 or 2
5	879423	Tube assy., axle mtg., side arms	1	21	814961	Washer, retainer, stop	1
6	311396	Screw, 7/16-14 x 2-1/4	2	22	812167	Seal, dust, upper fork	1
7	805423	Spring	2	23	808076	Cone, bearing, upper	1
8	306835	Screw, 3/8-16 x 1 1/4	4	24	800128	Ball, 3/16	20
9	306981	Washer, plain, 3/8	4	25	812098	Cup, king pin bearing, upper	1
10	809034	Bushing, spring support	4	26	816951	Cup, king pin brg., lower	1
11	120177	Lockwasher, 3/8	4	27	800130	Ball, 1/4	25
12	306562	Nut, hex., 3/8-16	4	28	815232	Cone, king pin, bearing	1
13	810149	Bumper, rubber	2	29	815234	Shield, dust, felt, fork, lower	1
14	879422	Tube assy., fork	1	30	815233	Washer, fork	1
15	800019	Screw, 1/4-20 x 1/2	3	31	816659	Key, fork spindle	1
				32	809255	Cover, dust seal	1

INDENTED PART NAMES INDICATE THESE PARTS ARE INCLUDED IN PRECEDING ASSEMBLY.



STEERING GEAR

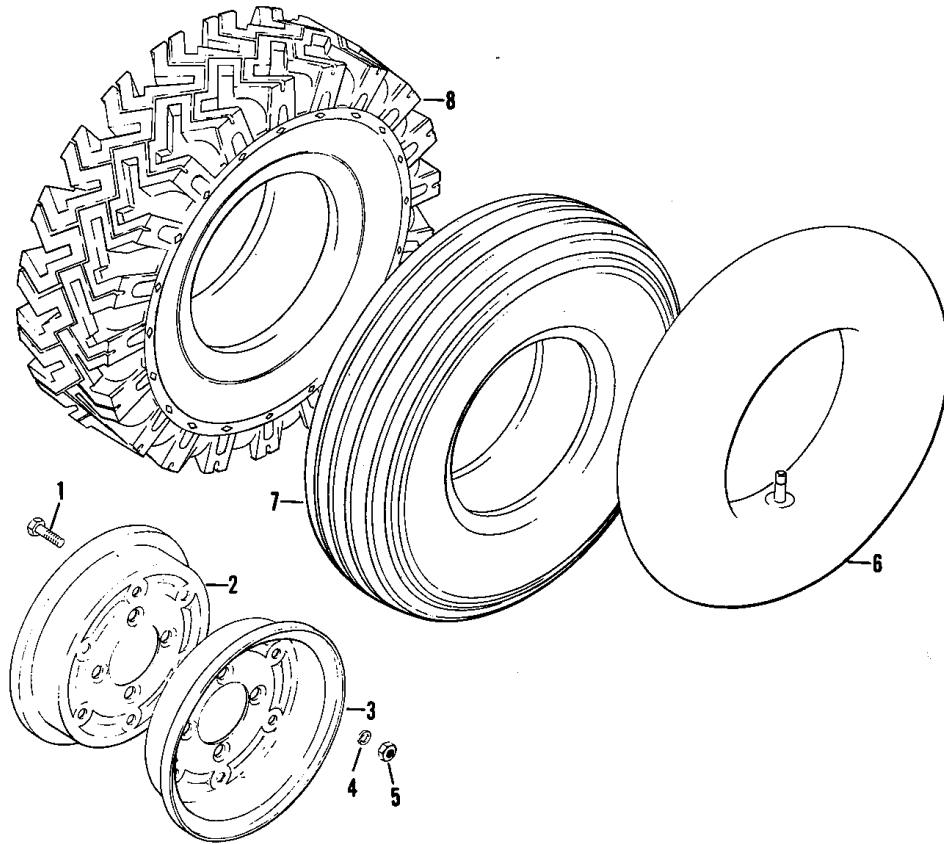
Ref. No.	Part No.	Description	Qty.	Ref. No.	Part No.	Description	Qty.
1	816654	Button, horn, rubber	1	21	306414	Screw, hex. hd., 3/8-16 x 1 . . .	3
2	816653	Plate, contact, horn button . . .	1	22	821650	Fitting, lubrication, lower housing	2
3	816652	Nut, horn button	1	23	809255	Retainer, felt, frt. fork, upper	1
4	311496	Washer, 5/8	1	24	305134	Nut, hex. jam, 7/8-14	2
5	306832	Screw, 1/4-20 x 2	4	25	816662	Housing, steering gear, lower	1
6	306396	Lockwasher, 1/4	7	26	816448	Gear, idler cluster	1
7	805860	Nut, 7/16-20	2	27	816659	Key, fork spindle	1
8	816449	Washer, knurled, steering locator	4	28	881199	Gear assy., drive, steering . . .	1
9	816661	Housing, steering gear, upper	1	29	130541	Nut, hex., 1/2-20	1
10	302030	Screw, 1/4-20 x 1-1/4	3	30	883317	Bolt assy., idler adj., 7/16-20 with nuts	1
11	821650	Fitting, lubrication, lower housing	2	31	816655	Housing, wire, horn button . . .	1
12	816455	Ring, retaining	1	32	816657	Seal, horn button wire	1
13	816456	Bearing, ball	1	33	816656	Housing, seal, horn button wire	1
14	816447	Ring, retaining	1	34	816660	Shaft, pinion gear	1
15	306835	Screw, 3/8-16 x 1 1/4	2	35	880365	Brown, horn button	1
16	306981	Washer, plain, 3/8	8	36	816650	Cup, wire, horn button retainer	1
17	816674	Support, steering gear box, front	1	37	816651	Spring, horn button	1
18	816675	Support, steering gear box, rear	1	38	310546	Roll pin, 1/2 x 1-1/2	1
19	120177	Lockwasher, 3/8	7	39	807605	Wheel, steering, 13 inch	1
20	306562	Nut, hex., 3/8-16	4				



SHOCK ABSORBERS

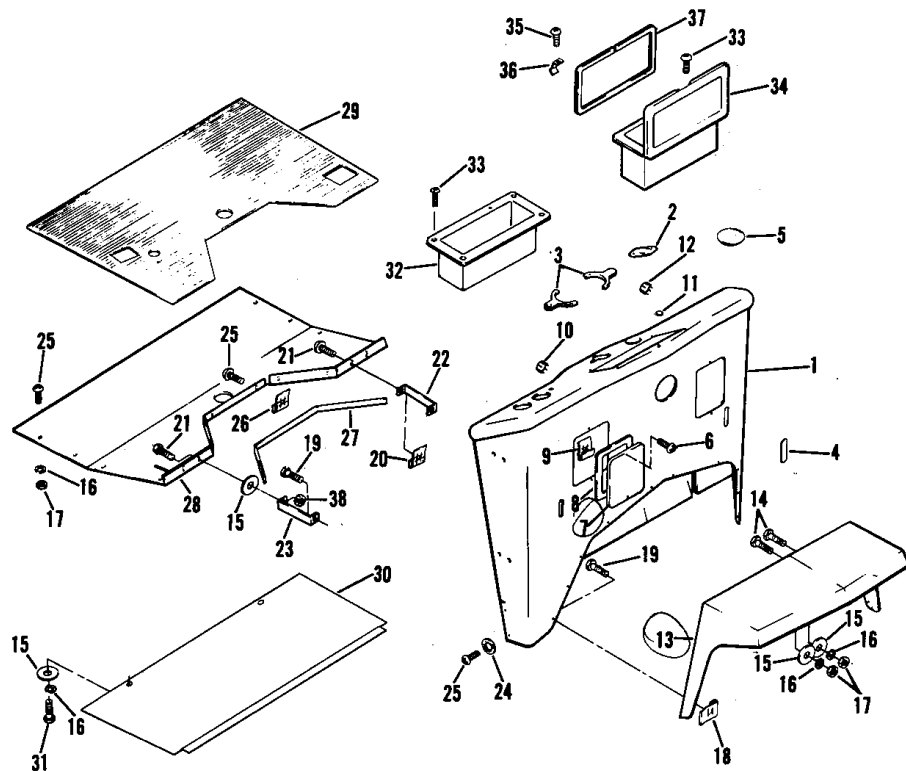
Ref. No.	Part No.	Description	Qty.	Ref. No.	Part No.	Description	Qty.
	880874	Shock absorber set, front	1	9	807332	Shock absorber, rear	2
1	306388	. Nut, 3/8-24	4	10	825500	. Washer, 7/16	8
2	810758	. Retainer, bushing, shock absorber, front	4	11	823620	. Bushing, shock mtg., rubber	4
3	810157	. Bushing, shock absorber, front	4	12	800294	. Locknut, hex., 7/16-14	4
4	813848	. Shock absorber, front	2	13	880217	Bracket assy., shock abs., upper left, rear	1
	or			14	880218	Bracket assy., shock abs., upper right, rear	1
	822770	. Shock absorber, heavy duty, front w/ overload spring	2	15	879978	Bracket assy., shock abs., lower, left, rear	1
5	825500	. Washer, 7/16	4	16	879977	Bracket assy., shock abs., lower, right rear	1
6	823620	. Bushing, shock mtg., rubber	4	17	306835	Screw, 3/8-16 x 1 1/4	8
7	823621	. Bushing, shock mtg.	4	18	120177	Lockwasher, 3/8	8
8	800294	. Locknut, hex., 7/16-14	2	19	306562	Nut, hex., 3/8-16	8
	879979	Shock set, rear	1				

INDENTED PART NAMES INDICATE THESE PARTS ARE INCLUDED IN PRECEDING ASSEMBLY.



TIRES AND RIMS

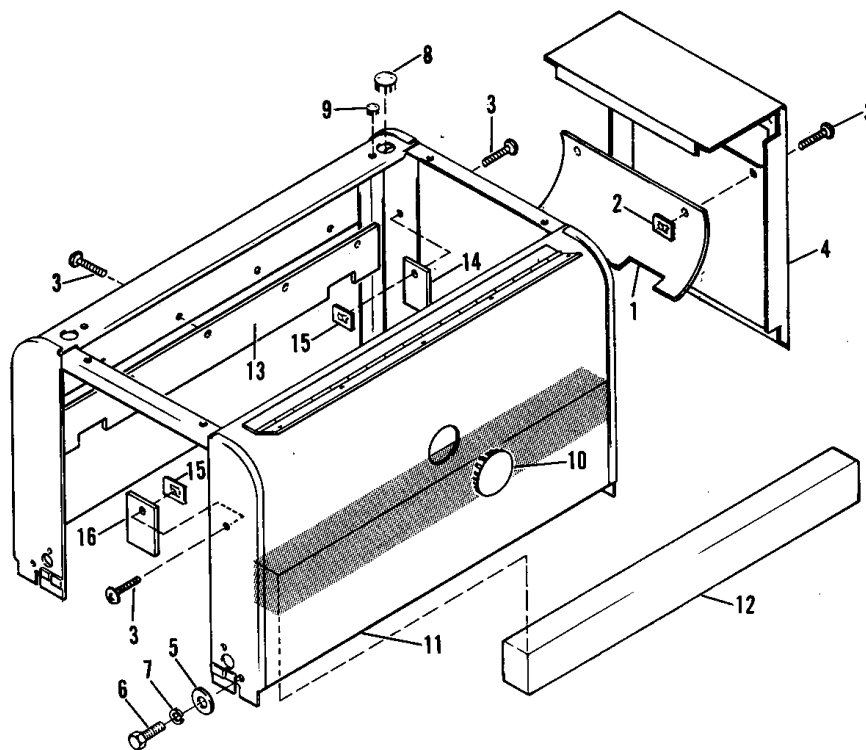
Ref. No.	Part No.	Description	Qty.	Ref. No.	Part No.	Description	Qty.
1	800385	Screw, 3/8-16 x 3/4	6	6	—	Tube - 5.70x8 (obtain locally) .	1
2	807279	Rim-inner half, 4 ply tires ...	1	7	—	Tire - 5.70x8 - 4 ply (obtain locally)	1
3	807278	Rim-outer half, 4 ply tires ...	1	8	—	Tire - 5.70x8 - ply extra grip (obtain locally)	1
4	120177	Lockwasher, 3/8	6				
5	306562	Nut, hex., 3/8-16	6				



FRONT PANEL & FLOORBOARD

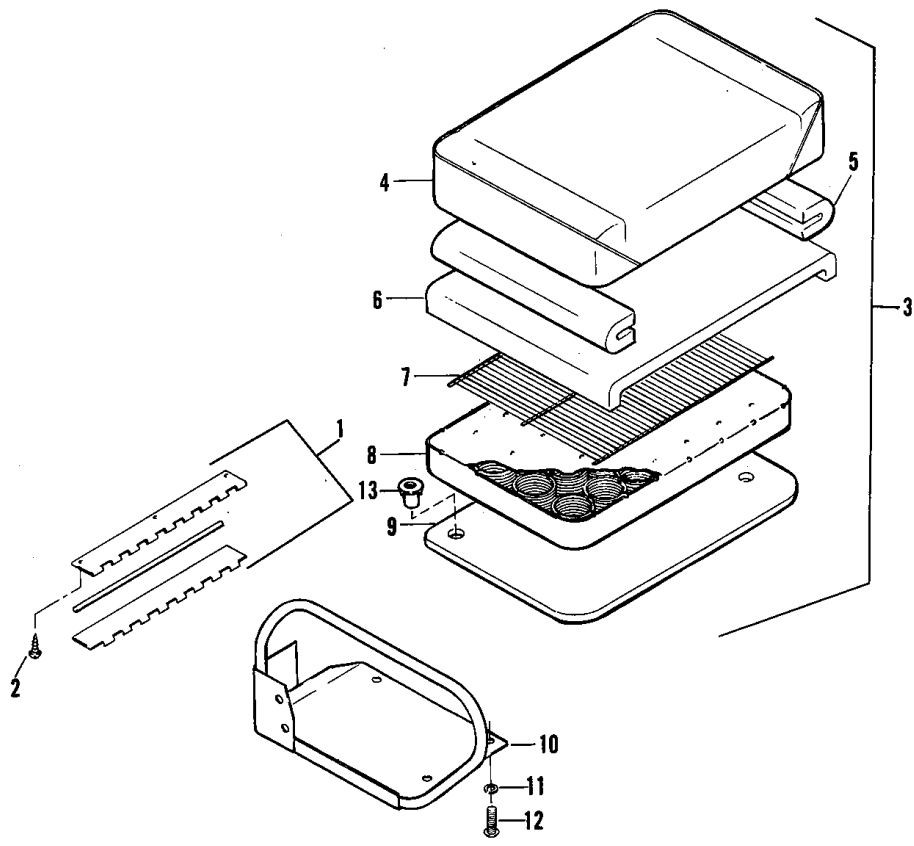
Ref. No.	Part No.	Description	Qty.	Ref. No.	Part No.	Description	Qty.
1	883355	Panel assy., front	1	23	812665	Bracket, fender supt., right, front	1
2	805892	Plug, speedometer hole	1	24	306992	Lockwasher, l.t., shakeproof, 1/4	6
3	816270	Plug, dash slot	2	25	800019	Screw, 1/4-20 x 1/2	6
4	824575	Plug, front bumper panel	2	306419	Screw, hex. hd., 1/4-20 x 1/2	6	
5	824438	Plug, dash, tachometer-hour meter	2	26	800196	Speed nut, type j, 1/4-20	6
6	800144	Screw, no. 10-16 x 5/8	4	27	817312	Weatherstrip	1
7	816611	Panel, door cover	2	28	883834	Floorboard assy., diamond plate	1
8	816610	Gasket, door cover	2	880681	Floorboard assy., plain	1	
9	800170	Speed nut, no. 10-24	4	29	817109	Mat, floorboard, use w/880681	1
10	805888	Plug, 29/32	2	30	817313	Panel, splash	1
11	811650	Plug, 17/32	2	31	306419	Screw, hex. hd., 1/4-20 x 1/2	2
12	816090	Plug, 13-32	2	32	822970	Box, glove	1
13	878565	Fender assy., front	1	33	307193	Screw, no. 8-32 x 7/16	1
14	306409	Screw, 1/4-20 x 7/8	2	34	878566	Box, glove, with lid	1
15	308090	Washer, plain, 1/4	5	35	130255	Screw, no. 10-24 x 1/4	1
16	306396	Lockwasher, 1/4	10	36	812415	Catch, spring	1
17	306375	Nut, hex., 1/4-20	8	37	812416	Weather stripping, box cover	1
18	800172	Speed nut, no. 10a	8	38	800059	Locknut, 1/4-20	1
19	812970	Screw, no. 10-16 x 3/4	8				
20	800238	Speed nut, 1/4-20	2				
21	800026	Screw, Phillips, 1/4-20 x 3/4	2				
22	812664	Bracket, fender supt., left, front	1				

42 INDENTED PART NAMES INDICATE THESE PARTS ARE INCLUDED IN PRECEDING ASSEMBLY.



ENGINE COVERS

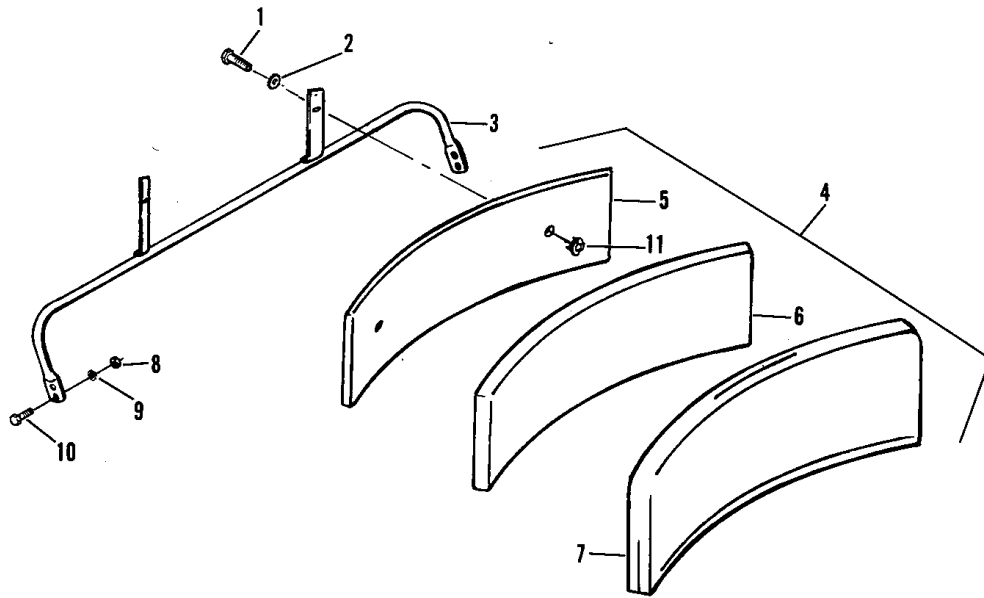
Ref. No.	Part No.	Description	Qty.	Ref. No.	Part No.	Description	Qty.
1	816983	Seal, side center, right	1	9	811733	Plug, 9/32	1
	816988	Seal, side center, left	1	10	816698	Plug, 2-1/4	1
2	800196	Speed nut, type j, 1/4-20	4	11	880625	Support assy., engine cover	1
3	800019	Screw, 1/4-20 x 1/2	4	12	823335	Divider, front seal, foam	1
4	880049	Panel assy., eng. cover, side	2	13	816987	Seal, baffle, rear	1
5	308090	Washer, plain, 1/4	4	14	816981	Seal, side, rear	1
6	300646	Screw, hex hd., 1/4-20 x 3/4	4	15	800173	Speed nut, 1/4	8
7	306396	Lockwasher, 1/4	4	16	816980	Seal, side, front	1
8	816090	Plug, 13-32	1				



SEAT

Ref. No.	Part No.	Description	Qty.	Ref. No.	Part No.	Description	Qty.
1	812208	Hinge, seat, complete.....	1	9	810063	. Board, seat.....	1
2	800313	. Screw, 10 x 7/8	5	10	883393	Restraint assy., hip, left	1
3	880121	Seat assy.	1	10	883398	Restraint assy., hip, right ...	1
4	880819	. Cover assy., seat	1	11	306396	Lockwasher, 1/4	6
5	817461	. Padding, seat side.....	2	12	800026	Screw, Phillips, 1/4-20 x 3/4, pth.	6
6	817475	. Pad, seat	1	13	810386	Nut, tee.....	6
7	810068	. Support, padding	1				
8	814162	. Spring, seat	1				

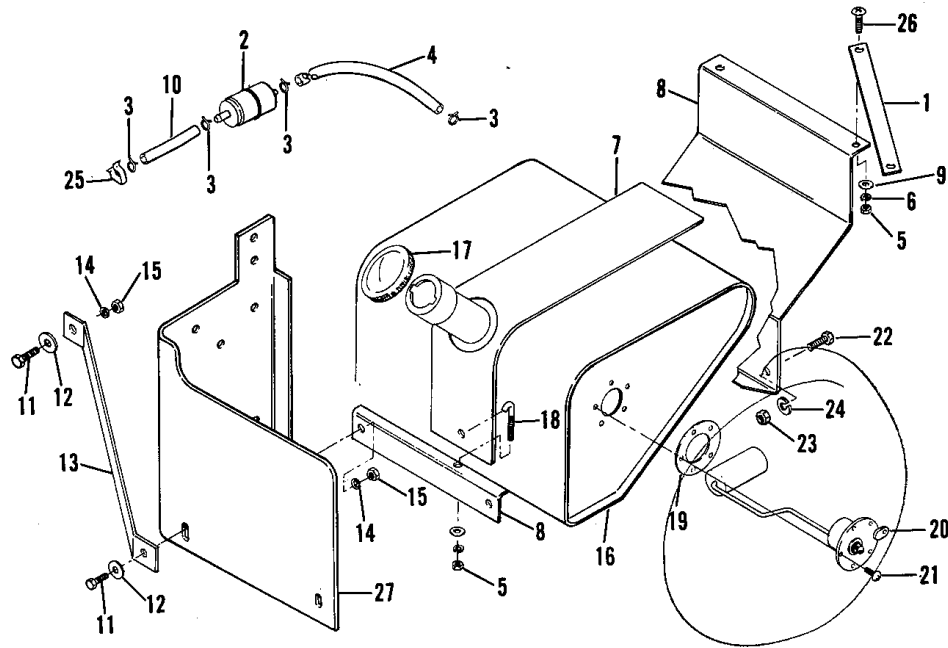
INDENTED PART NAMES INDICATE THESE PARTS ARE INCLUDED IN PRECEDING ASSEMBLY.



BACKREST

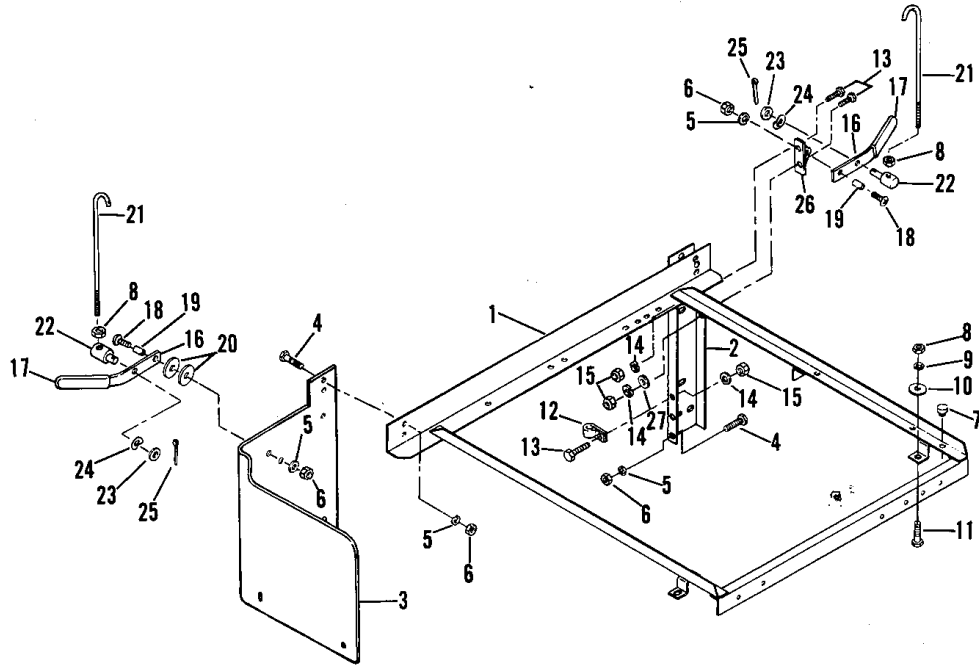
Ref. No.	Part No.	Description	Qty.	Ref. No.	Part No.	Description	Qty.
	880043	Back rest assy.....	1	7	880630	.. Board assy., back rest	
1	306409	. Screw, 1/4-20 x 7/8.....	2			w/tee nuts	1
2	306999	. Lockwasher, shakeproof, 1/4	2	8	810386	... Nut, tee	2
3	883390	. Support assy.....	1	9	306932	. Nut, hex., 5/16-18.....	4
4	880138	. Back rest assy.....	1	10	306325	. Lockwasher, 5/16	4
5	815685	.. Cover, back rest	1	11	306555	. Screw, 5/16-18 x 5/8.....	4
6	815651	.. Pad, back rest	1				

INDENTED PART NAMES INDICATE THESE PARTS ARE INCLUDED IN PRECEDING ASSEMBLY.



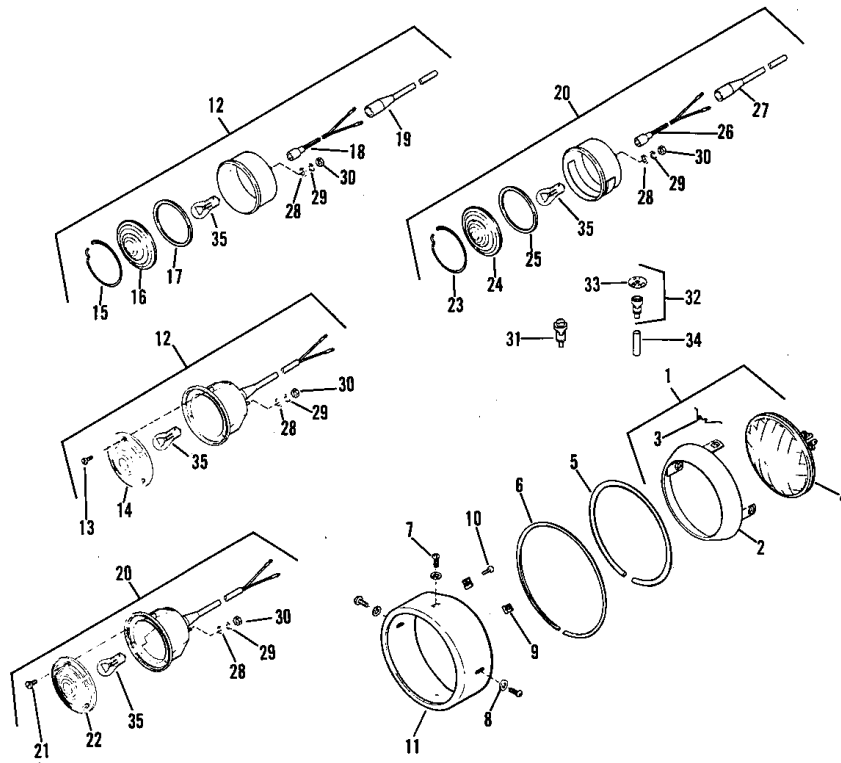
FUEL TANK

Ref. No.	Part No.	Description	Qty.	Ref. No.	Part No.	Description	Qty.
1	825138	Brace, fuel tank	1	15	306562	Nut, hex., 3/8-16	2
2	821814	Filter, gasoline	1	16	882908	Fuel tank assy.	1
3	821815	Clamp, fuel hose	4	17	819494	Cap, fuel tank	1
4	819253	Hose, fuel	1	18	809949	Bolt, j, gas tank	1
5	306375	Nut, hex., 1/4-20	2	19	814409	Gasket	1
6	306396	Lockwasher, 1/4	2	20	821117	Tank unit, gas gage	1
7	825029	Strap, gas tank	1	21	800306	Screw, self sealing	5
8	825031	Brace, gas tank	1	22	306450	Screw, 5/16-18 x 3/4	6
9	308090	Washer, plain, 1/4	2	23	306932	Nut, hex., 5/16-18	6
10	110836	Hose, fuel filter	1	24	306325	Lockwasher, 5/16	6
11	306414	Screw, hex. hd., 3/8-16 x 1	2	25	111942	Clamp, fuel line	1
12	306981	Washer, plain, 3/8	2	26	800277	1
13	825030	Bar, knerf, gas tank	1	27	883876	Upright assy., left	1
14	120177	Lockwasher, 3/8	2				



FRAME

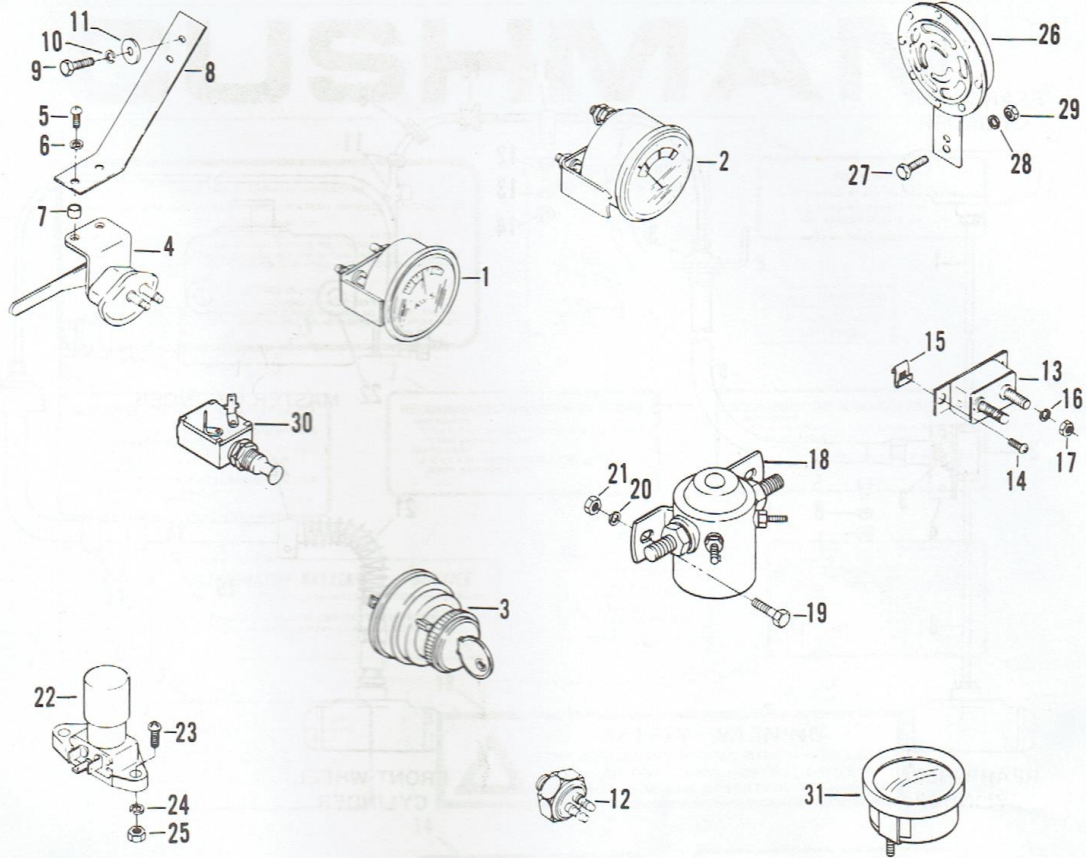
Ref. No.	Part No.	Description	Qty.	Ref. No.	Part No.	Description	Qty.
1	882921	Frame assy., chassis	1	14	306396	Lockwasher, 1/4	3
2	816736	Support member, chassis, front	1	15	306375	Nut, hex., 1/4-20	3
3	883876	Upright assy., left	1	16	823308	Handle, box hook holddown ..	2
4	306450	Screw, 5/16-18 x 3/4	8	17	821696	Grip, handle	2
5	306325	Lockwasher, 5/16	10	18	800030	Screw, 5/16-18 x 1	2
6	306932	Nut, hex., 5/16-18	10	19	823332	Bushing, hook handle, pivot ..	2
7	810149	Bumper, rubber	4	20	809152	Washer, 5/16	2
8	306562	Nut, hex., 3/8-16	6	21	823307	Hook, box holddown	2
9	120177	Lockwasher, 3/8	4	22	817387	Pin, connector	2
10	306981	Washer, plain, 3/8	4	23	103867	Washer, plain, 5/16	2
11	306414	Screw, hex. hd., 3/8-16 x 1 ...	4	24	800254	Washer, wave, 5/16	2
12	809092	Clamp	1	25	306328	Cotter pin, 3/32 x 3/4	2
13	306487	Screw, hex. hd., 1/4-20 x 5/8 ..	3	26	823309	Bracket	1
				27	308090	Washer, plain, 1/4	1



LIGHTS

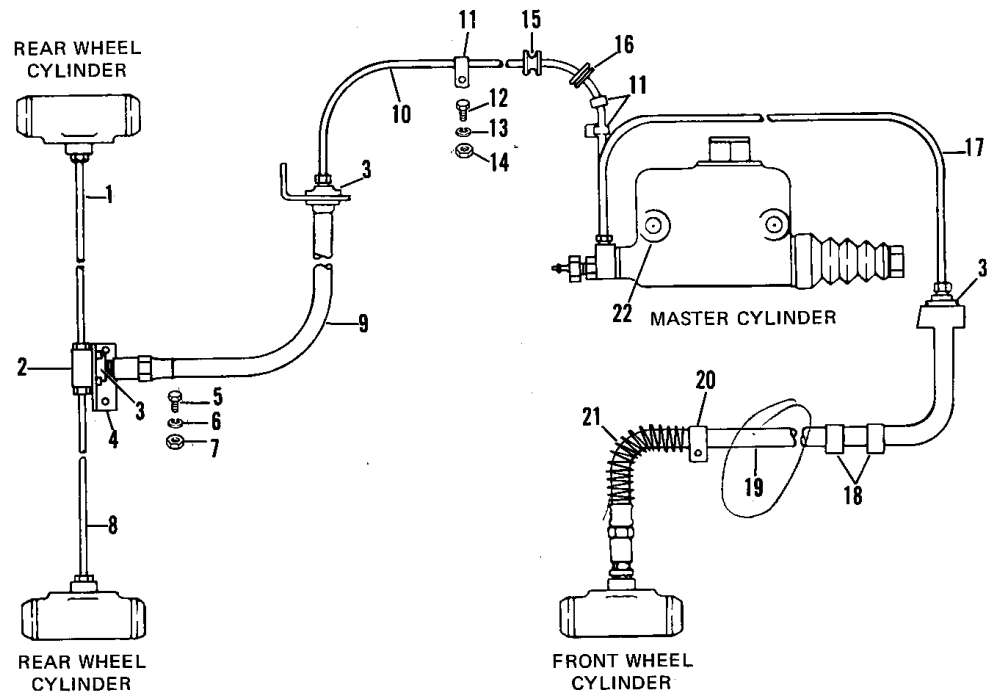
Ref. No.	Part No.	Description	Qty.	Ref. No.	Part No.	Description	Qty.
1	878542	Headlight assy.	1	19	824079	. Boot, wire assy. - peterson ..	1
- 2	809724	. Bulb & rim assy., headlight ..	1	20	882852	Light assy., stop & tail, li-	1
3	879071	. Rim set, headlight	1			cence (grote '76 & prior)	1
4	813373	. Clip, headlight	4	21	823196	. Screw, lens - grote	3
5	809723	. Bulb, seal beam	1	22	823336	. Lens, red - grote	1
4	806803	. Gasket, headlight	1	20	882852A	Light assy., stop & tail, li-	1
6	816610	. Gasket, door cover	1			cence (peterson '76 & later) ..	1
7	315287	. Screw, hex. hd., no. 10-24 x	4	23	823341	. Snap, ring - peterson	1
		1/2	4	24	824065	. Lens, taillight, red - peterson	1
8	308089	. Washer, no. 10	4	25	824066	. Gasket, taillight lens - peter-	1
9	800174	. Speed nut, type j, no. 102...	3			son	1
10	800144	. Screw, no. 10-16 x 5/8	2	26	824068	. Wire assy., taillight - peter-	1
11	878568	. Shell assy., headlight	1			son	1
12	882851	Light assy., stop & tail, red	1	27	824079	. Boot, wire assy., peterson ..	1
		(grote, '76 & prior)	1	28	308090	Washer, plain, 1/4	2
13	823196	. Screw, lens - grote	3	29	306488	Lockwasher, 1/4	2
14	823336	. Lens, red - grote	1	30	306375	Nut, hex., 1/4-20	2
12	882851A	Light assy., stop & tail, red	1	31	817324	Light, oil pressure warning ..	1
		(peterson, '76 & later)	1	32	881295	Indicator, high beam	1
15	823341	. Snap, ring - peterson	1	33	818725	. Decal, high beam	1
16	824065	. Lens, taillight, red - peterson	1	34	818829	Sleeve, insulator	1
17	824066	. Gasket, taillight lens - peter-	1	35	822049	Bulb, no. 1157 (obtain locally)	1
		son	1				
18	824068	. Wire assy., taillight - peter-	1				
		son	1				

INDENTED PART NAMES INDICATE THESE PARTS ARE INCLUDED IN PRECEDING ASSEMBLY.



ELECTRICAL COMPONENTS

Ref. No.	Part No.	Description	Qty.	Ref. No.	Part No.	Description	Qty.
1	816874	Ammeter, 50-0-50	1	16	120052	Lockwasher, no. 10	2
2	814430	Receiver unit, fuel	1	17	132520	Nut, hex., no. 10-32	2
3	882716	Switch, ign. & start	1	18	879945	Switch, solenoid	1
4	814005	Switch, safety starting	1	19	306487	Screw, hex. hd., 1/4-20 x 5/8	2
5	306391	Screw, no. 10-32 x 3/8	2	20	306396	Lockwasher, 1/4	2
6	120052	Lockwasher, no. 10	2	21	306375	Nut, hex., 1/4-20	2
7	825016	Spacer, starting safety switch mounting	2	22	817309	Switch, dimmer	1
8	883403	Bracket assy., starting safety switch	1	23	800215	Screw, no. 10-24 x 5/8	2
9	306419	Screw, hex. hd., 1/4-20 x 1/2	2	24	120052	Lockwasher, no. 10	2
10	306396	Lockwasher, 1/4	2	25	306531	Nut, no. 10-24	2
11	308090	Washer, plain, 1/4	2	26	817319	Horn, 12 volt	1
12	806825	Switch, stop light	1	27	300646	Screw, 1/4-20 x 3/4	2
13	806807	Circuit breaker	1	28	306396	Lockwasher, 1/4	2
14	800144	Screw, no. 10-16 x 5/8	2	29	306375	Nut, hex., 1/4-20	2
15	800170	Speed nut, no. 10-24	2	30	817310	Switch, light	1
				31	882958	Tachometer	1



HYDRAULIC LINES

Ref. No.	Part No.	Description	Qty.	Ref. No.	Part No.	Description	Qty.
1	815421	Tube, hydraulic brake, left . . .	1	13	306396	Lockwasher, 1/4	3
2	809426	Fitting, brake hose, rear	1	14	306375	Nut, hex., 1/4-20	1
3	809137	Clip, brake tube, front	3	15	809146	Grommet, crossmember	1
4	815419	Bracket, brake coupling	1	16	817307	Grommet, brake line	1
5	308197	Screw, 7/16-14 x 1-1/2	1	17	812344	Tube, hydraulic brk., front . .	1
6	303269	Lockwasher, 7/16	1	18	810439	Clip, brake line	2
7	304364	Nut, 7/16-14	1	19	806556	Hose, hydraulic brk., frt., flexible	1
8	815422	Tube, hydraulic brake, right . .	1	20	810437	Clip, brake line	1
9	815429	Hose, hydraulic brake, flexible, rear	1	21	824731	Protector, brake hose, spring .	1
10	815423	Tube, hydraulic brake, center . .	1	*22	120177	Lockwasher, 3/8	2
11	812445	Clamp, hydraulic line	3	*	306562	Nut, hex., 3/8-16	2
12	306419	Screw, hex. hd., 1/4-20 x 1/2 .	3	*	311213	Screw, hex. hd., 3/8-16 x 3 . .	2

* Not shown.

CUSHMAN®

1

POWER TAKE OFF OPERATING INSTRUCTIONS

CAUTION: MACHINE MUST BE STOPPED AND CLUTCH PEDAL DEPRESSED TO ENGAGE P.T.O. (FOR STATIONARY USE)

- AFTER ENGAGING P.T.O. PULL UP HAND THROTTLE KNOW AS FAR AS POSSIBLE. USE FOOT THROTTLE AS AN AID IF HAND THROTTLE PULLS HARD.
- MOVE GOVERNOR CONTROL LEVER TO DESIRED RPM SETTING. (NOTE: CLUTCH MUST BE ENGAGED TO OPERATE P.T.O. TO SLOW ENGINE DOWN. MOVE GOVERNOR CONTROL LEVER OPPOSITE DIRECTION.)

(FOR USE WHILE DRIVING)

- AFTER ENGAGING P.T.O. SET GOVERNOR CONTROL LEVER TO DESIRED RPM.
- PUSH MACHINE IN DESIRED GEAR AND DEPRESS FOOT THROTTLE ALL THE WAY. P.T.O. WILL OPERATE AT DESIRED RPM. (NOTE: HAND THROTTLE CAN BE USED FOR THIS PURPOSE ALSO.)

2

HYDRAULIC PUMP CONTROL POSITIONS

4

WARNING

APPLY HAND BRAKE OR FOOT BRAKE. PARKING BRAKES ARE NOT AUTOMATICALLY APPLIED.

5

AUXILIARY TRANSMISSION

Push lever forward for Low Range

6

RECOMMENDED MAXIMUM PAY LOAD

1000 POUNDS
5.70 x 8, 6-PLY RATING TIRES & RIMS @ 85 PSI COLD
55 MPH MAXIMUM SPEED

700 POUNDS
5.70 x 8, 4-PLY RATING TIRES & RIMS @ 55 PSI COLD
35 MPH MAXIMUM SPEED

824982

7

RECOMMENDED MAXIMUM PAY LOAD

1000 POUNDS
5.70 x 8, 6-PLY RATING TIRES & RIMS @ 80 PSI COLD
18 MPH MAXIMUM SPEED

850 POUNDS
5.70 x 8, 4-PLY RATING TIRES & RIMS @ 55 PSI COLD
18 MPH MAXIMUM SPEED

824983

8

RECOMMENDED MAXIMUM PAY LOAD

1000 POUNDS
5.70 x 8, 6-PLY RATING TIRES & RIMS @ 85 PSI COLD
8 MPH MAXIMUM SPEED

1000 POUNDS
5.70 x 8, 4-PLY RATING TIRES & RIMS @ 55 PSI COLD
18 MPH MAXIMUM SPEED

824985

9

WARNING ALTERNATOR-BATTERY SERVICE

- THIS IS AN INVERTIVE GROUND SYSTEM. REVERSING BATTERY CONNECTION WILL DAMAGE ALTERNATOR RECTIFIER.
- BOOSTER BATTERIES USED FOR STARTING MUST BE CONNECTED WITH PROPER POLARITY.
- BATTERY CABLES SHOULD BE DISCONNECTED BEFORE USING A FAST CHARGER.

816991

10

POWER TAKE OFF

Push Lever Forward To Engage P.T.O.

11

CUSHMAN TURF TRUCKS (STEERABLE 4x4) TO 60" SPEED: SALES PER HOUR, 10 P.P.H. AT VARIOUS P.T.O. REVOLUTIONS PER MINUTE (RPM) ENGINE P.T.O. (RPM) - 1000 RANGING FROM 8.99 @ 8 P.M.P.H. TO 12.99 @ 12 P.M.P.H.	2700	3000	3300	3600	3900	4200	4500	4800	5100	5400	5700	6000
1100	1.21	1.31	1.41	1.51	1.62	1.72	1.82	1.92	2.02	2.12	2.22	2.32
1400	1.29	1.39	1.49	1.59	1.69	1.79	1.89	1.99	2.09	2.19	2.29	2.39
1700	1.37	1.47	1.57	1.67	1.77	1.87	1.97	2.07	2.17	2.27	2.37	2.47
2000	1.45	1.55	1.65	1.75	1.85	1.95	2.05	2.15	2.25	2.35	2.45	2.55
2300	1.53	1.63	1.73	1.83	1.93	2.03	2.13	2.23	2.33	2.43	2.53	2.63
2600	1.61	1.71	1.81	1.91	2.01	2.11	2.21	2.31	2.41	2.51	2.61	2.71
2900	1.69	1.79	1.89	1.99	2.09	2.19	2.29	2.39	2.49	2.59	2.69	2.79
3200	1.77	1.87	1.97	2.07	2.17	2.27	2.37	2.47	2.57	2.67	2.77	2.87
3500	1.85	1.95	2.05	2.15	2.25	2.35	2.45	2.55	2.65	2.75	2.85	2.95
3800	1.93	2.03	2.13	2.23	2.33	2.43	2.53	2.63	2.73	2.83	2.93	3.03
4100	2.01	2.11	2.21	2.31	2.41	2.51	2.61	2.71	2.81	2.91	3.01	3.11
4400	2.09	2.19	2.29	2.39	2.49	2.59	2.69	2.79	2.89	2.99	3.09	3.19
4700	2.17	2.27	2.37	2.47	2.57	2.67	2.77	2.87	2.97	3.07	3.17	3.27
5000	2.25	2.35	2.45	2.55	2.65	2.75	2.85	2.95	3.05	3.15	3.25	3.35
5300	2.33	2.43	2.53	2.63	2.73	2.83	2.93	3.03	3.13	3.23	3.33	3.43
5600	2.41	2.51	2.61	2.71	2.81	2.91	3.01	3.11	3.21	3.31	3.41	3.51
5900	2.49	2.59	2.69	2.79	2.89	2.99	3.09	3.19	3.29	3.39	3.49	3.59
6200	2.57	2.67	2.77	2.87	2.97	3.07	3.17	3.27	3.37	3.47	3.57	3.67
6500	2.65	2.75	2.85	2.95	3.05	3.15	3.25	3.35	3.45	3.55	3.65	3.75

12

THIS UNIT IS NOT A MOTOR VEHICLE WITHIN THE DEFINITION OF THE NATIONAL TRAFFIC MOTOR VEHICLE SAFETY ACT. IT IS NOT DESIGNED OR MANUFACTURED FOR USE ON ROADS, STREETS, AND HIGHWAYS, NOR IS IT APPROPRIATE FOR SUCH USE. IT IS NOT MEANT TO BE LICENSED AS A MOTOR VEHICLE.

13

SAFETY WARNING

THIS VEHICLE IS EQUIPPED WITH A HYDRAULIC OPERATED BOX. DURING OPERATION STAY CLEAR OF BOX AND OPERATING MECHANISM

14

SAFETY WARNING

THIS VEHICLE IS A MOTORCYCLE AND MUST BE OPERATED IN ACCORDANCE WITH MOTORCYCLE LAWS AND REGULATIONS.

15

RECOMMENDED MAXIMUM PAY LOAD

1000 POUNDS
18" x 8" TIRES & RIMS @ 24 PSI COLD
15 MPH MAXIMUM SPEED

800 POUNDS
18" x 8" TIRES & RIMS @ 22 PSI COLD
10 MPH MAXIMUM SPEED

824984

16

SAFETY WARNING

FAILURE TO OBEY A SAFETY WARNING MAY RESULT IN INJURY TO YOU OR OTHERS. THIS VEHICLE IS OF SUFFICIENT SIZE AND WEIGHT TO CAUSE SERIOUS INJURY IN CASE OF UPSHOT OR COLLISION.

BEFORE STARTING ENGINE - Read and understand Operator's Manual. Do not exceed payload capacity given on vehicle name plate or panel gauges on any place on vehicle. Carrying ability of a 2-wheel vehicle is not as great as a 4-wheel vehicle. Heavy loads forward of rear axle, unbalanced or top heavy loads can cause upset. Helmet is recommended.

WHILE OPERATING VEHICLE - Remain seated; use both hands for steering. Keep arms and legs within vehicle body. Avoid sudden starts and stops. Sudden stops can cause upset. Regular speed to meet road and weather conditions. Do not operate in or near an explosive environment. If a malfunction occurs, cease operation. Do not operate vehicle until condition is corrected.

BEFORE LEAVING VEHICLE - Turn ignition to "OFF" position-removes key. Apply parking brake-parking brake is not automatically applied. Follow procedure in Operator's Manual for parking on an incline.

823257

17

HAND PUMP OPERATION INSTRUCTIONS

ROTATE PUMP VALVE LEVER CLOCKWISE BEFORE RAISING BOX

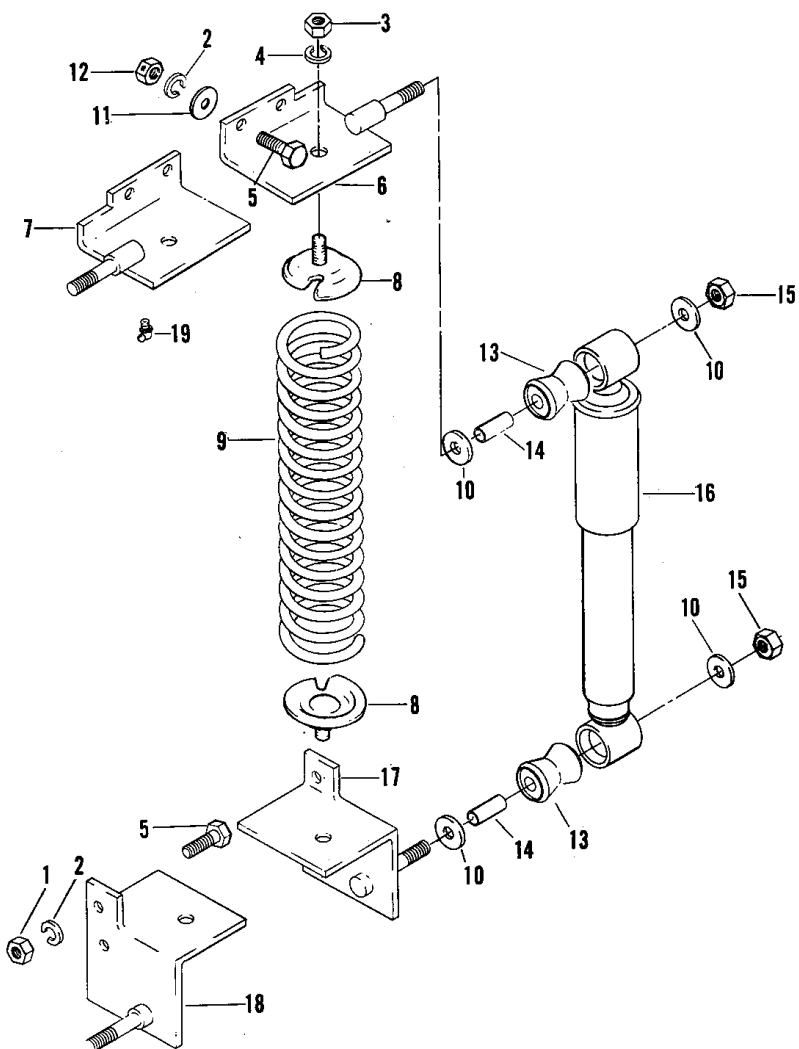
ROTATE PIVOT BRACKET CLOCKWISE TO INSTALL JACK HANDLE IN PUMP. RAISE BOX. TO LOWER BOX, SLOWLY MOVE PUMP VALVE LEVER COUNTER-CLOCKWISE

REMOVE JACK HANDLE AND PLACE IN BRACKET PROVIDED BEFORE MOVING VEHICLE

823257

DECALS & PLATES

Ref. No.	Part No.	Description	Qty.	Ref. No.	Part No.	Description	Qty.
1	816068	Decal, p.t.o. instructions	1	10	817398	Decal, power take-off	1
2	823153	Decal, hyd pump cont. positions	1	11	825429	Decal, mph at p.t.o. rev.	1
3	824970	Decal, Cushman logo	1	12	821071	Plate, vehicle not within safety act	1
4	822819	Platè, parking brake warning	1	13	823152	Decal, triangle safety warning	1
5	817370	Decal, transmission set	1	14	825502	Decal, safety warning	1
6	824982	Decal, payload, 1000-700 lbs	1	15	824984	Decal, payload, 1000-800 lbs.	1
7	824983	Decal, payload, 1000-950 lbs	1	16	825497	Decal, warning before starting, etc.	1
8	824985	Decal, payload, 2000-1000 lbs	1	17	823257	Decal, hand pump operation	1
9	816991	Decal, alternator warning	1				

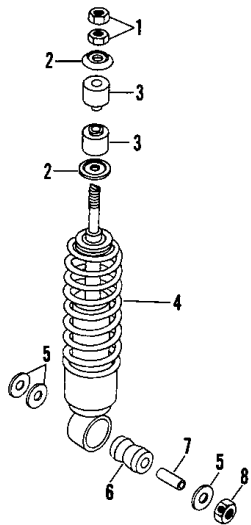


HEAVY DUTY SHOCK AND SPRING SET

Ref. No.	Part No.	Description	Qty.	Ref. No.	Part No.	Description	Qty.
	880571	Shock & spring set, heavy duty	1	9	816380	Spring, overload, rear	2
1	306562	Nut, hex., 3/8-16	4	10	825500	Washer, 7/16	8
2	120177	Lockwasher, 3/8	4	11	809168	Washer, 3/8	4
3	308332	Nut, hex., 1/2-13	4	12	800351	Nut, hex., 3/8-16	4
4	120166	Lockwasher, 1/2	4	13	823620	Bushing, shock mtg., rubber	4
5	306835	Screw, 3/8-16 x 1 1/4	8	14	823621	Bushing, shock mtg.	4
6	880570	Bracket assy., mounting, upper, right	1	15	800294	Locknut, hex., 7/16-14 loc	4
7	880569	Bracket assy., mounting, upper, left	1	16	807335	Shock absorber, heavy duty	2
8	876660	Retainer assy., spring & bolt, black	4	17	880568	Bracket assy., mounting, lower, right	1
				18	880567	Bracket assy., mounting, lower, left	1
				19	807442	Fitting, lub., 1/4-28, 90 deg.	2

INDENTED PART NAMES INDICATE THESE PARTS ARE INCLUDED IN PRECEDING ASSEMBLY.

HD SHOCK & SPRING, FRONT

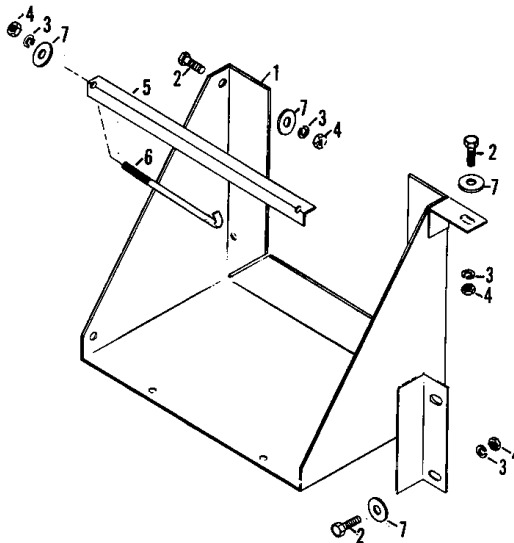


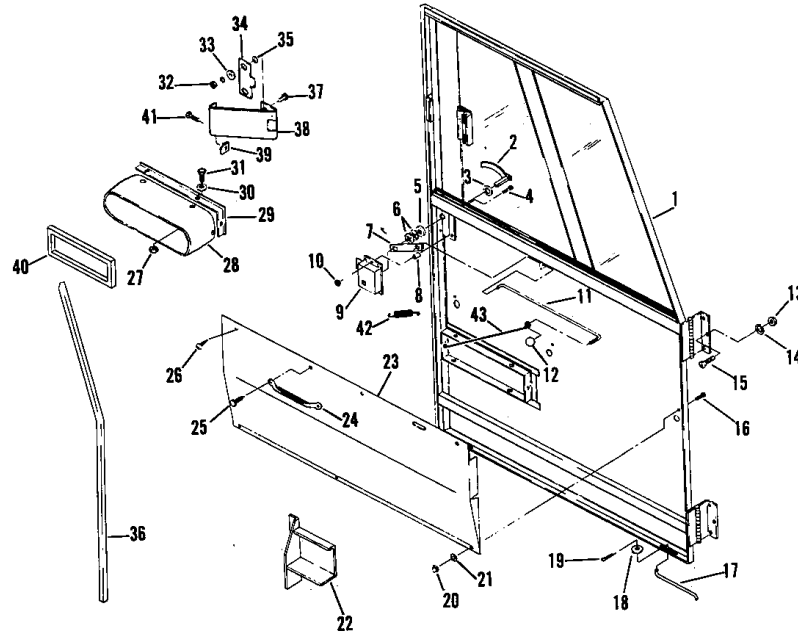
Ref. No.	Part No.	Description	Qty.
-	882800	Shock absorber set, frt. overload	1
1	306388	Nut, 3/8-24	4
2	810758	Retainer, bushing, shock absorber, front	4
3	810157	Bushing, shock absorber, front	4
4	822770	Shock absorber, heavy duty, front	2
5	825500	Washer, 7/16	6
6	823620	Bushing, shock mtg., rubber	2
7	823621	Bushing, shock mtg.	2
8	800294	Locknut, hex., 7/16-14	2

INDENTED PART NAMES INDICATE THESE PARTS ARE INCLUDED IN PRECEDING ASSEMBLY.

BATTERY CARRIER

Ref. No.	Part No.	Description	Qty.
1	882925	Box assy., battery	1
2	306450	Screw, 5/16-18 x 3/4	4
3	306325	Lockwasher, 5/16	6
4	306932	Nut, hex., 5/16-18	6
5	815847	Hold down, battery	1
6	806953	Bolt, battery hold down	2
7	103867	Washer, plain, 5/16	6



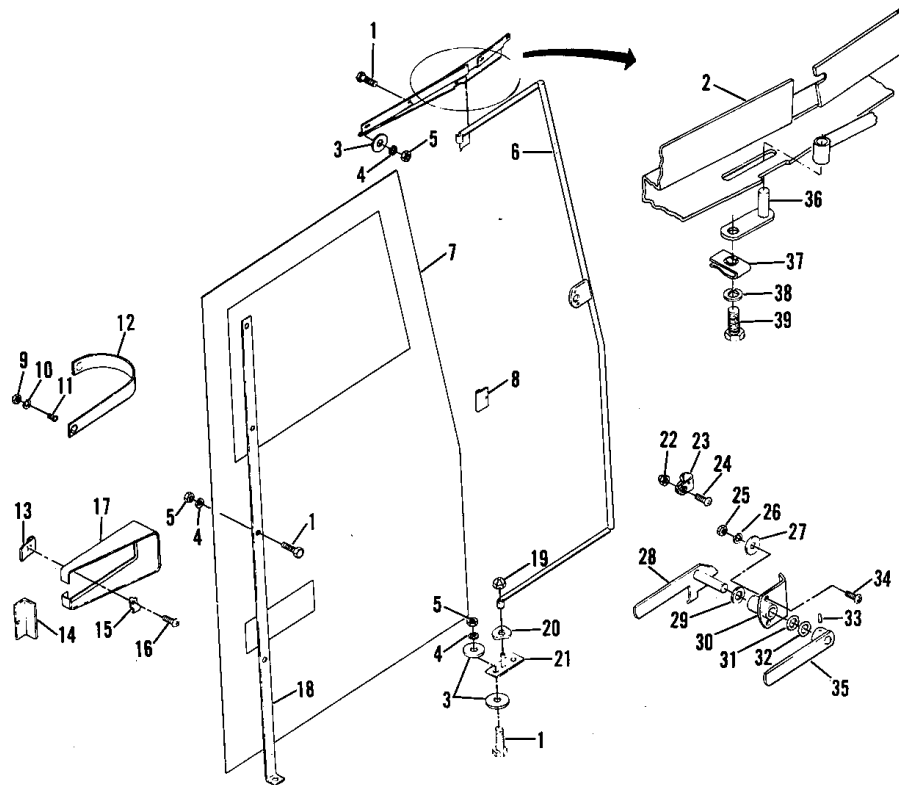


STEEL DOOR SET

Ref. No.	Part No.	Description	Qty.	Ref. No.	Part No.	Description	Qty.
1	882819	Steel door set	1	27	800053	Locknut, no. 10-24	12
	883130	Frame & panel assy., left	1	28	823423	Boot	2
	883131	Frame & panel assy., right	1	29	823424	Strip	4
2	823492	Handle, door, outside	2	30	308089	Washer, no. 10	24
3	306982	Washer, 7/16	10	31	315287	Screw, hex. hd., no. 10-24 x 1/2	12
4	800299	Screw, 10-24 x 1	8	32	800059	Locknut, 1/4-20	4
5	823414	Washer	2	33	815680	Washer, shifter pivot	4
6	823478	Washer	4	34	825022	Plate	2
7	823427	Arm, latch door	2	35	816307	Washer, 1/4	4
8	819852	Bushing	8	36	823452	Strip	2
9	823449	Door lock, left	1	37	800026	Screw, Phillips, 1/4-20 x 3/4, pth	4
	823413	Door lock, right	1	38	825021	Strike	2
10	800053	Locknut, no. 10-24	8	39	800169	Speed nut, 1/4-20	4
11	823428	Rod, latch door	2	40	823238	Gasket	2
12	823667	Knob	2	41	307608	Screw, 1/4-20 x 5/8	4
13	200653	Nut, no. 12	12	42	805444	Spring	2
14	306396	Lockwasher, 1/4	12	43	824087	Wire, latch spring	2
15	307048	Screw, no. 12-24 x 3/4	12	*	823421	Window, front	2
16	800311	Screw, 1/4-20	6	*	823422	Window	2
17	823454	Stop, door	2	*	823416	Lock, window	2
18	103867	Washer, plain, 5/16	4	*	823451	Strip, sealer	2
19	306328	Cotter pin, 3/32 x 3/4	4	*	823417	Guide, top	2
20	800037	Nut, acorn, 1/4-20	6	*	823418	Guide, bottom	2
21	306396	Lockwasher, 1/4	6	*	823487	Strip sealer, front	2
22	883336	Hinge support, right	1	*	823488	Strip sealer, rear	2
	883337	Hinge support, left	1	*	821893	Molding	1
23	823408	Panel, right	1	*	823426	Strip, weather	2
	823409	Panel, left	1	*	823726	Pad, door	2
24	823419	Handle, inside	2				
25	800331	Screw, 10a x 3/4	4				
26	819195	Screw, self dr., no. 8-18 x 1/2	4				

* Not shown.

54 INDENTED PART NAMES INDICATE THESE PARTS ARE INCLUDED IN PRECEDING ASSEMBLY.

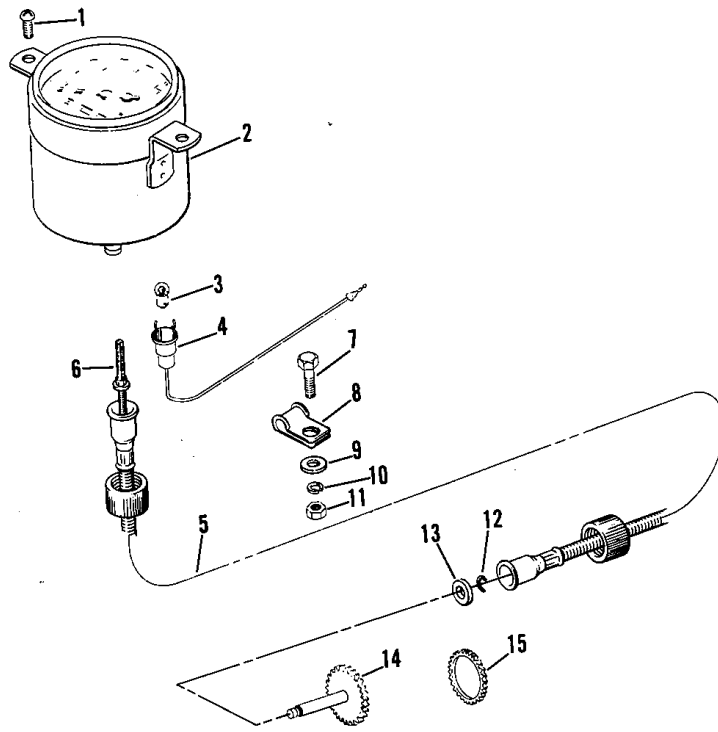


CLOTH DOOR SET

Ref. No.	Part No.	Description	Qty.	Ref. No.	Part No.	Description	Qty.
	882820	Door set, cloth, cab	1	*	818377	. . Cover, air intake	2
1	307608	. Screw, 1/4-20 x 5/8	16	18	822845	. Strip, curtain mounting	2
	823110	. Panel, door jamb, right	1	19	818343	. Nut, push (acorn)	2
*	823111	. Panel, door jamb, left	1	20	800303	. Washer, spring, 1/4	2
3	308090	. Washer, plain, 1/4	14	21	882782	. Pivot assy., door	2
4	306396	. Lockwasher, 1/4	16	22	819176	. Nut, acorn	4
5	306375	. Nut, hex., 1/4-20	16	23	818379	. Clamp, door material	4
6	883708	. Frame assy., right	1	24	800022	. Screw, no. 10-24 x 3/8	4
*	882777	. Frame assy., door, left	1	25	306531	. Nut, no. 10-24	4
7	882784	. Cover assy., left	1	26	120052	. Lockwasher, no. 10	4
*	882785	. Cover assy., right	1	27	308089	. Washer, no. 10	4
8	822758	. Strike, door latch	2	28	881213	. Handle assy., inner, right	1
9	133079	. Nut, no. 8-32	4	*	881224	. Handle assy., inner, left	1
10	306310	. Lockwasher, no. 8	4	29	818342	. Ring, retaining, push-on	2
11	818376	. Stud, snap fastener	4	30	882786	. Bracket assy., door handle	2
12	882841	. Tie assy., door, upper	2	31	306981	. Washer, plain, 3/8	2
*	882842	. Tie assy., door, lower	2	32	800254	. Washer, wave, 5/16	2
13	800174	. Speed nut, type j, no. 102	10	33	306966	. Roll pin, 1/8 x 3/4	4
14	818378	. Bracket, air intake, mounting	2	34	800271	. Screw, p.t.h., no. 10-24 x 1/2	2
15	111898	. Clamp, housing	8	35	881223	. Handle assy., outer	2
16	800147	. Screw, no. 10 x 3/4	10	36	883842	. Bracket assy.	2
17	881228	. Air intake assy.	2	37	800238	. Speed nut, 1/4-20	2
*	818290	. Spring	2	38	306488	. Lockwasher, 1/4	2
				39	800019	. Screw, 1/4-20 x 1/2	2

* Not shown.

INDENTED PART NAMES INDICATE THESE PARTS ARE INCLUDED IN PRECEDING ASSEMBLY.

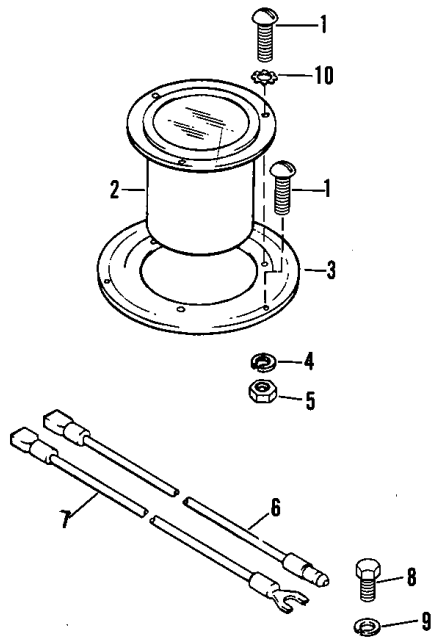


SPEEDOMETER - REAR WHEEL

Ref. No.	Part No.	Description	Qty.	Ref. No.	Part No.	Description	Qty.
	883270	Speedometer set, rear wheel	1	9	308090	Washer, plain, 1/4	1
1	317358	Screw, no. 10-32 x 5/8	2	10	306396	Lockwasher, 1/4	2
2	880844	Speedometer head (m.p.h.)	1	11	306375	Nut, hex., 1/4-20	2
3	811953	Bulb, turn signal, no. 53, 12v	1	12	809257	Ring, retaining, speedometer gear	1
4	817513	Orange - main front harness to speedometer light	1	13	809018	Bushing, speedometer gear	1
5	883992	Cable assy., speed	1	14	821153	Gear, speedometer, driven	1
6	824194	Core, cable	1	15	821154	Gear, speedometer, drive	1
7	306419	Screw, hex. hd., 1/4-20 x 1/2	2	*	824186	Grommet, speedometer cable	1
8	812393	Clip, wire	4	*	823549	Tie, harness	1

* Not shown.

INDENTED PART NAMES INDICATE THESE PARTS ARE INCLUDED IN PRECEDING ASSEMBLY.



HOUR METER

Ref. No.	Part No.	Description	Qty.
	880584	Hour meter set, engine.....	1
1	130152	Screw, no. 6-32 x 1/2.....	6
2	816764	Meter, engine hour.....	1
3	816765	Dampener.....	1
4	306506	Lockwasher, no. 6.....	6
5	302437	Nut, hex., no. 6-32.....	3
6	880842	Wire, ignition to meter.....	1
7	880841	Wire, meter to ground.....	1
8	306419	Screw, hex. hd., 1/4-20 x 1/2.....	1
9	306396	Lockwasher, 1/4.....	1
10	307247	Lockwasher, shakeproof, no. 6.....	3
*	807036	Terminal, spade.....	1
*	807050	Terminal eyelet.....	1

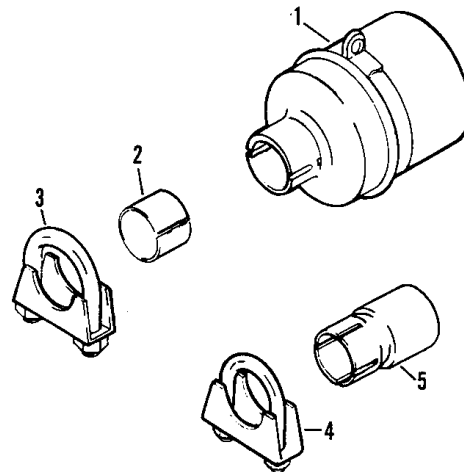
* Not shown.

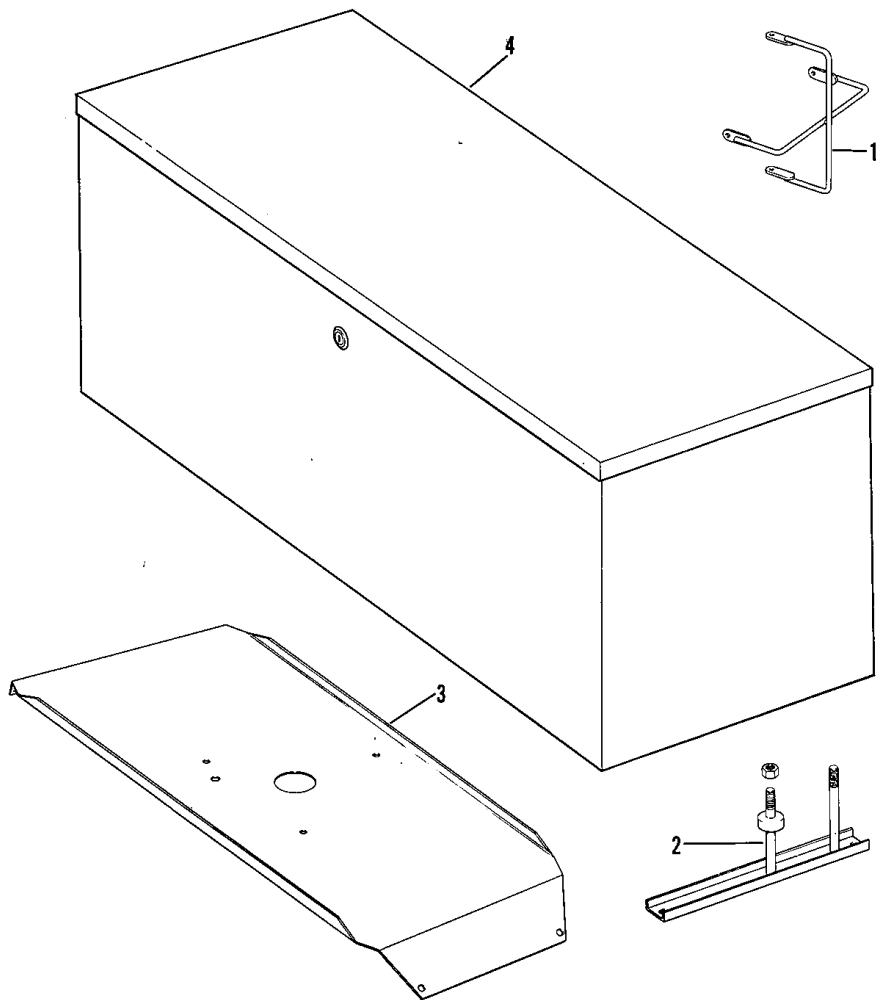
INDENTED PART NAMES INDICATE THESE PARTS ARE INCLUDED IN PRECEDING ASSEMBLY.

SPARK ARRESTOR SET

Ref. No.	Part No.	Description	Qty.
	882574	Spark arrestor set.....	1
1	822139	Spark arrestor.....	1
2	822141	Adapter.....	1
3	818962	Clamp, 1-1/4.....	1
4	813688	Clamp, 1-1/8.....	1
5	825334	Adapter.....	1

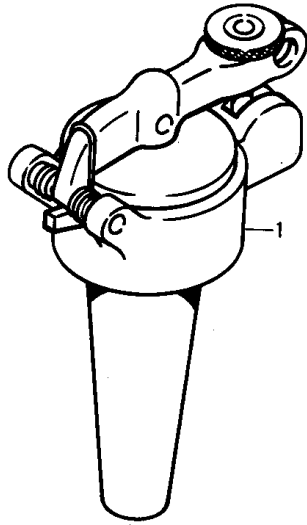
INDENTED PART NAMES INDICATE THESE PARTS ARE INCLUDED IN PRECEDING ASSEMBLY.





MISCELLANEOUS ACCESSORIES

Ref. No.	Part No.	Description	Qty.	Ref. No.	Part No.	Description	Qty.
1	883496	Guard assy., headlight	1	3	823615	Bracket, light, mounting	1
2	883619	Bracket, mounting, spare tire	1	4	883811	Tool box	1



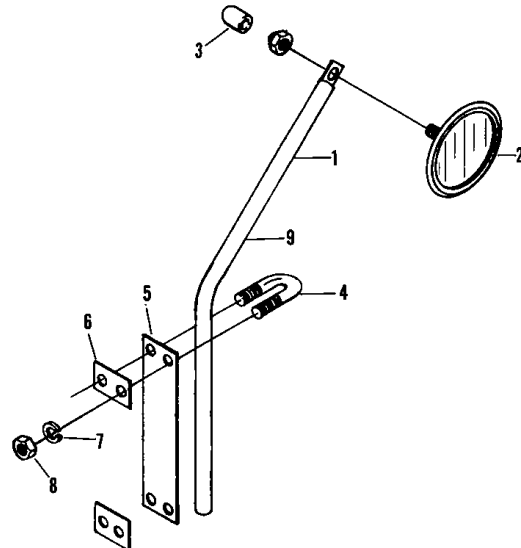
PROTECTOSEAL GAS CAP

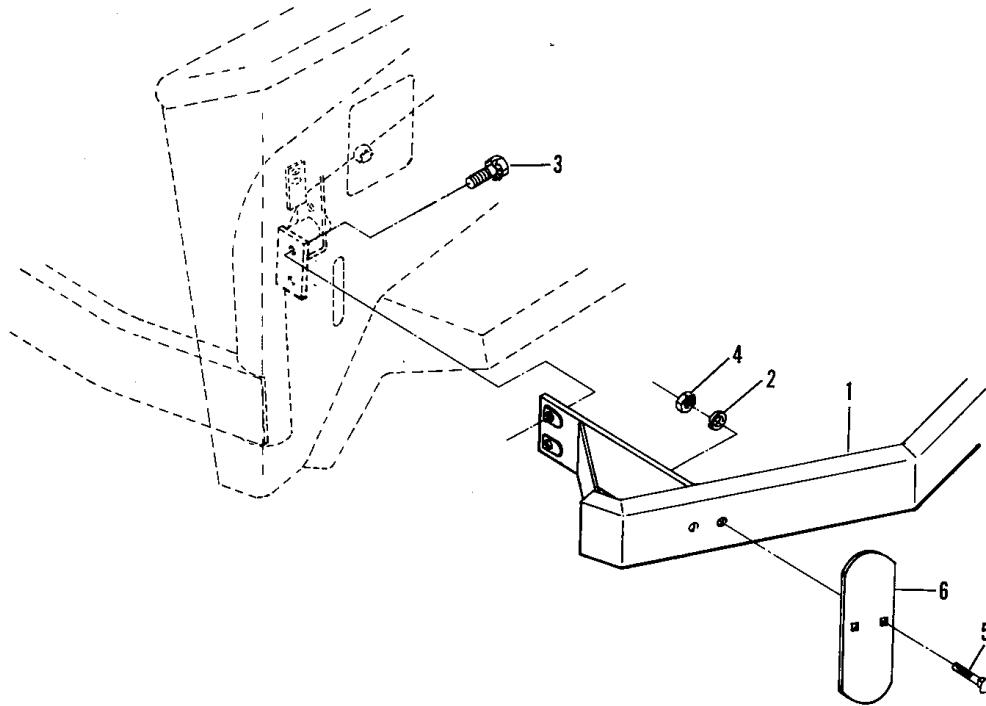
Ref. No.	Part No.	Description	Qty.
1	816631	Cap, Protectoseal	1

OUTSIDE MIRROR SET

Ref. No.	Part No.	Description	Qty.
	882821	Mirror set, outside	1
1	822885	. Arm, mirror	2
2	822167	. Mirror, rear view	2
3	823201	. Cap, mirror, stud	2
4	812809	. U-Bolt, mirror	4
5	822884	. Bracket, mirror	2
6	806598	. Bracket, mirror mtg	4
7	306325	. Lockwasher, 5/16	8
8	306932	. Nut, hex., 5/16-18	8
9	822984	Arm, mirror - broyhill ref veh long	2
	822883	Arm, mirror, short	2

INDENTED PART NAMES INDICATE THESE PARTS ARE INCLUDED IN PRECEDING ASSEMBLY.

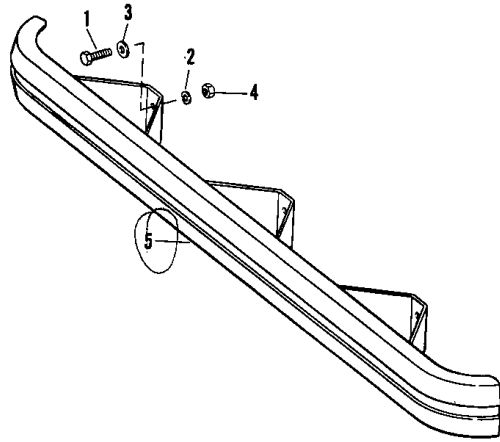




FRONT BUMPER SET

Ref. No.	Part No.	Description	Qty.	Ref. No.	Part No.	Description	Qty.
	883570	Front bumper set.....	1	4	306932	. Nut, hex., 5/16-18.....	4
1	883455	. Bumper assy.....	1	5	800085	. Bolt, 5/16-18 x 1.....	4
2	306325	. Lockwasher, 5/16.....	4	6	824551	. Guard, bumper.....	2
3	800385	. Screw, 3/8-16 x 3/4.....	4				

INDENTED PART NAMES INDICATE THESE PARTS ARE INCLUDED IN PRECEDING ASSEMBLY.

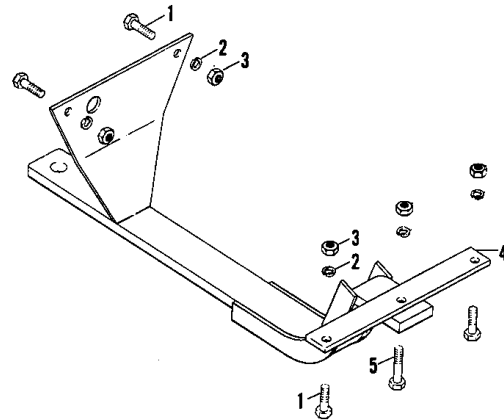


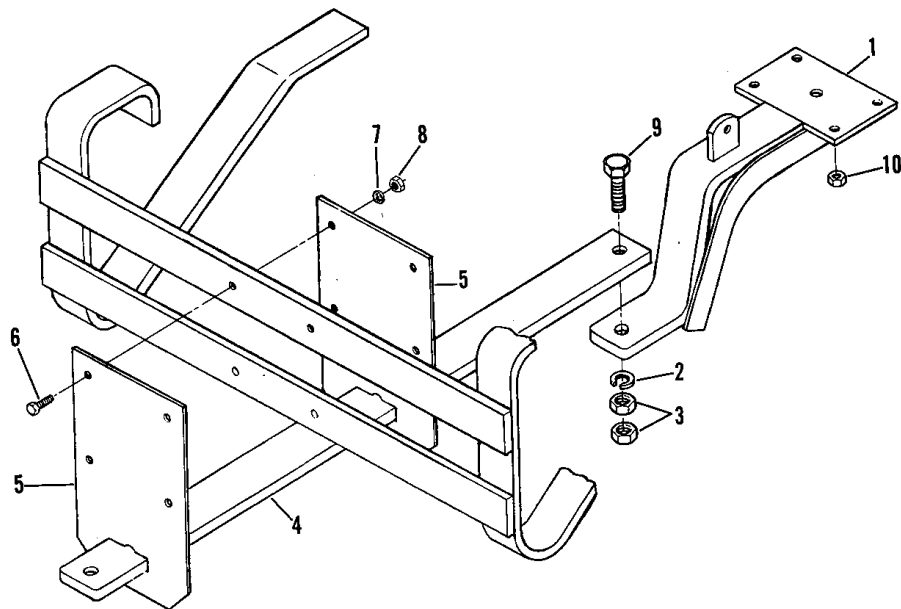
REAR BUMPER SET

Ref. No.	Part No.	Description	Qty.
1	306416	Screw, hex. hd., 5/16-18 x 1.	3
2	306325	Lockwasher, 5/16	3
3	103867	Washer, plain, 5/16	3
4	306932	Nut, hex., 5/16-18.	3
5	883883	Bumper assy., rear	1

TOW HITCH

Ref. No.	Part No.	Description	Qty.
1	306414	Screw, hex. hd., 3/8-16 x 1 . . .	4
2	120177	Lockwasher, 3/8	5
3	306562	Nut, hex., 3/8-16	5
4	880653	Bar, tow hitch	1
5	302600	Screw, hex. hd., 3/8-16 x 1-1/2	1

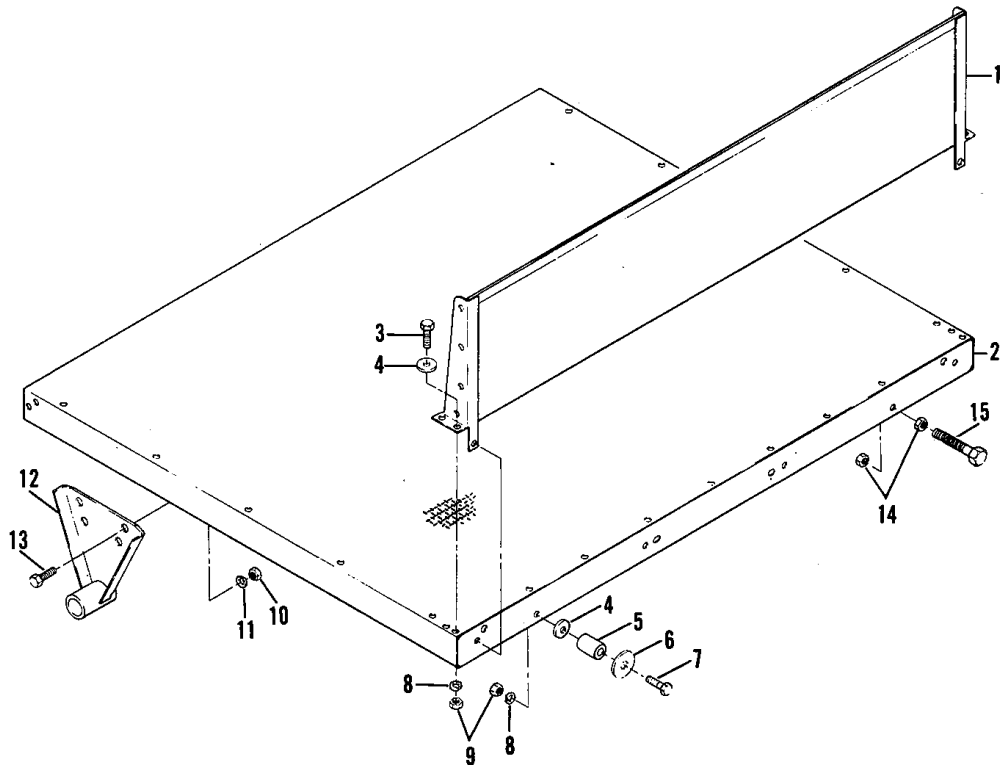




TOW HITCH SET

Ref. No.	Part No.	Description	Qty.	Ref. No.	Part No.	Description	Qty.
	883865	Tow hitch set	1	6	306416	. Screw, hex. hd., 5/16-18 x 1.	4
1	883012	. Bar assy., tow	1	7	306325	. Lockwasher, 5/16	4
2	306494	. Lockwasher, 5/8	1	8	306932	. Nut, hex., 5/16-18	4
3	311385	. Nut, 5/8-11	2	9	316915	. Screw, hex. hd., 5/8-11 x 2-1/2	1
4	824971	. Bar, tow hitch	1				
5	824969	. Plate, tow hitch	2	10	800294	Locknut, hex., 7/16-14 loc ...	4

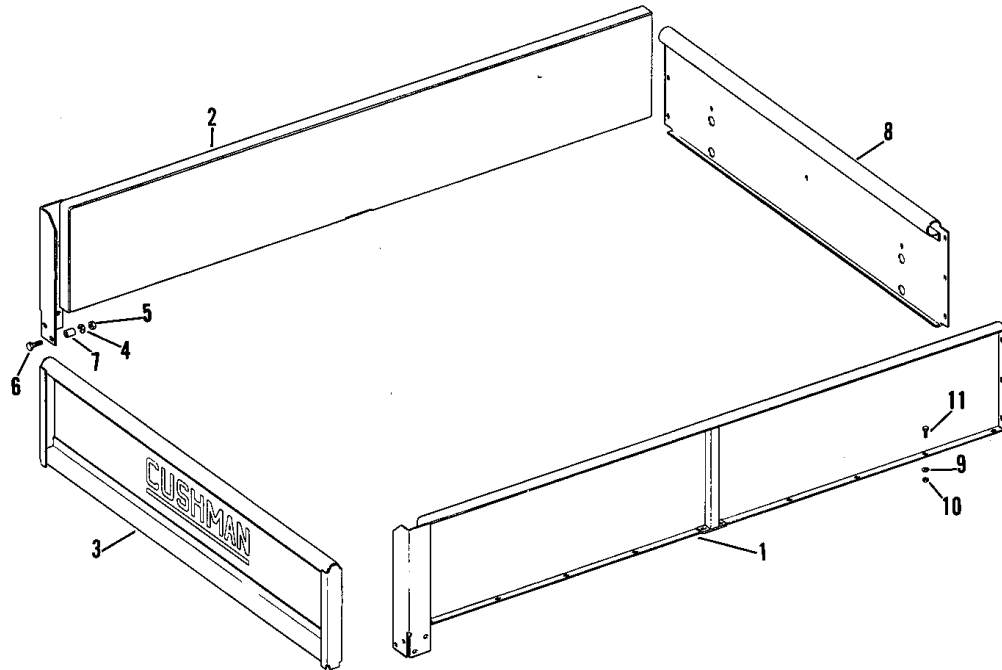
INDENTED PART NAMES INDICATE THESE PARTS ARE INCLUDED IN PRECEDING ASSEMBLY.



FLATBED

Ref. No.	Part No.	Description	Qty.	Ref. No.	Part No.	Description	Qty.
	883241	Flatbed set	1	9	306932	. Nut, hex., 5/16-18.....	15
1	883220	. Stop wall	1	10	306562	. Nut, hex., 3/8-16.....	8
2	883221	. Flatbed assy.	1	11	120177	. Lockwasher, 3/8	8
3	306450	. Screw, 5/16-18 x 3/4	13	12	882931	. Bracket assy.	2
4	103867	. Washer, plain, 5/16	15	13	306414	. Screw, hex. hd., 3/8-16 x 1..	8
5	808937	. Spacer.....	2	14	304364	. Nut, 7/16-14	2
6	809152	. Washer, 5/16.....	2	15	311397	. Screw, 7/16-14 x 3.....	1
7	306435	. Screw, 5/16-18 x 1-1/4.....	2	*	816991	. Decal, alternator warning ..	1
8	306325	. Lockwasher, 5/16	15				

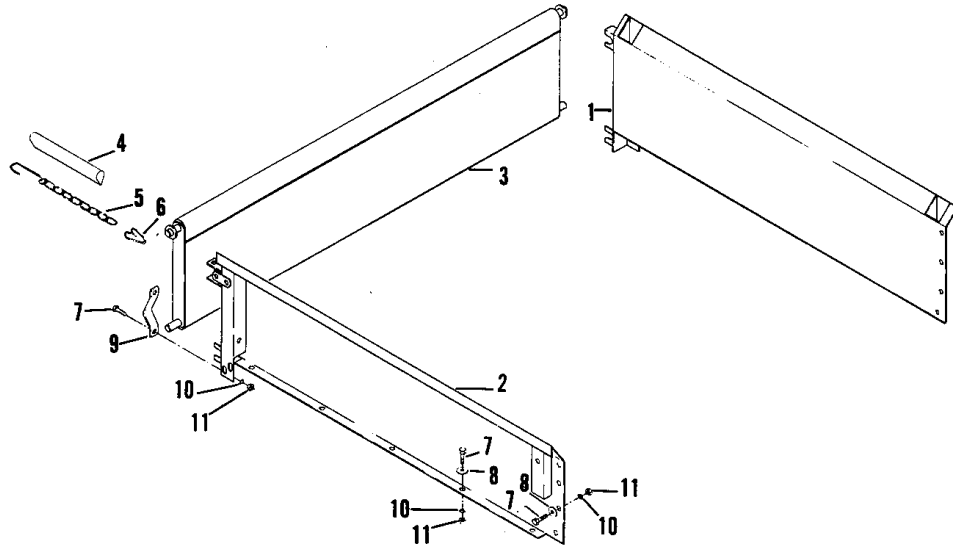
INDENTED PART NAMES INDICATE THESE PARTS ARE INCLUDED IN PRECEDING ASSEMBLY.



SIDES & TAILGATE

Ref. No.	Part No.	Description	Qty.	Ref. No.	Part No.	Description	Qty.
	884060	Sides & tailgate	1	7	818061	. Bushing	4
1	883369	. Panel assy., right side	1	8	823955	. Wall, stop	1
2	883397	. Panel assy., left side	1	9	306325	. Lockwasher, 5/16	33
3	883377	. Tailgate assy.	1	10	306932	. Nut, hex., 5/16-18	33
4	120177	. Lockwasher, 3/8	4	11	800177	. Screw, 5/16-18 x 3/4	33
5	306562	. Nut, hex., 3/8-16	4				
6	551094	. Screw, hex. hd., 3/8-16 x 1-3/4	4				

INDENTED PART NAMES INDICATE THESE PARTS ARE INCLUDED IN PRECEDING ASSEMBLY.

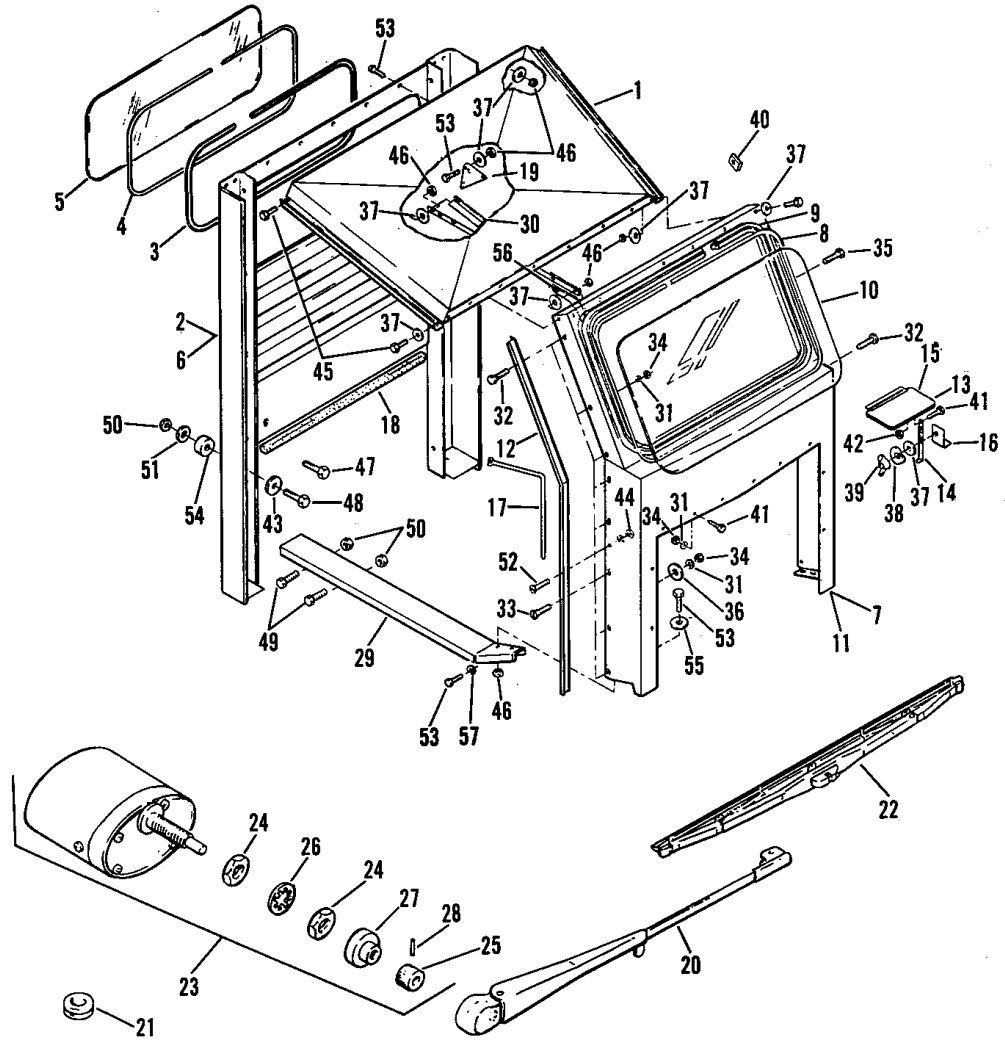


BOX AND TAILGATE

Ref. No.	Part No.	Description	Qty.	Ref. No.	Part No.	Description	Qty.
	883727	Box & tailgate assy.	1	6	808222	. Link, chain conn.	2
1	883257	. Panel assy., left side	1	7	306322	. Screw, 5/16-18 x 7/8.	30
2	883256	. Panel assy., right side	1	8	103867	. Washer, plain, 5/16	18
3	881845	. Tailgate, box	1	9	823816	. Retainer	2
4	809978	. Cover, chain.	2	10	306325	. Lockwasher, 5/16	30
5	820434	. Chain, with hook	2	11	306932	. Nut, hex., 5/16-18.	30

INDENTED PART NAMES INDICATE THESE PARTS ARE INCLUDED IN PRECEDING ASSEMBLY.

CAB & WIPER SET



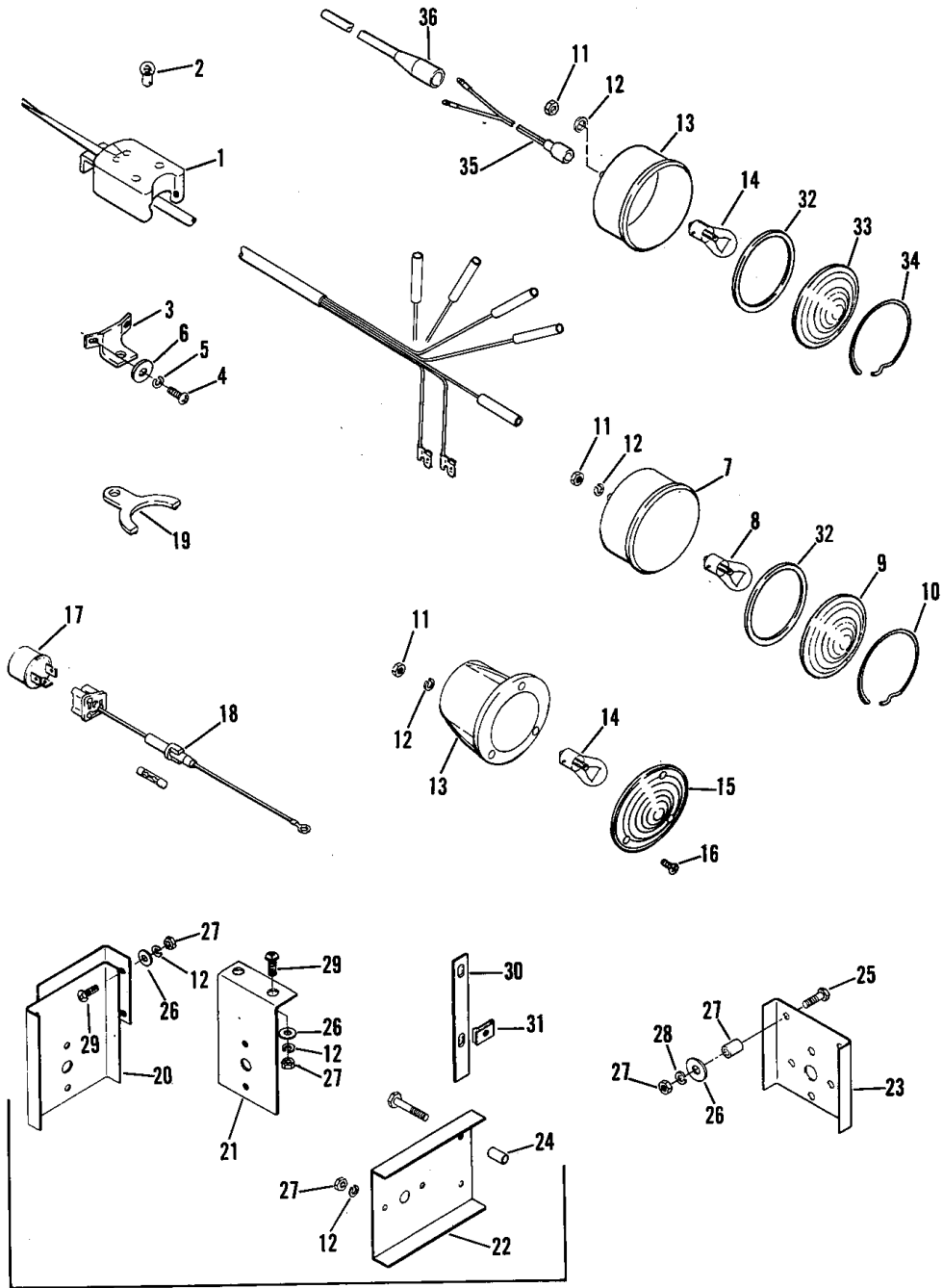
CAB & WIPER SET

Ref. No.	Part No.	Description	Qty.	Ref. No.	Part No.	Description	Qty.
	883272	Cab & wiper set	1	29	882779	Step Assy., right	1
1	882778	Roof Assy., cab	1	*	882780	Step Assy., left	1
2	882787	Back Assy., cab & window	1	30	883700	Reinforcement Assy., right	1
3	812648	Seal, window	1	*	883703	Reinforcement Assy., left	1
4	812649	Strip, weather seal	1	31	120052	Lockwasher, no. 10	26
5	812652	Window, cab rear	1	32	200399	Screw, flathead, no. 10-24 x 3/4	6
6	882781	Back Assy.	1	33	302104	Screw, flathead, no. 10-24 x 1/2	6
7	882847	Frame Assy., front panel & windshield	1	34	306531	Nut, no. 10-24	26
8	820225	Weather strip	1	35	306532	Screw, hex. hd., no. 10-24 x 5/8	4
9	820226	Weather seal, window	1	36	308089	Washer, no. 10	16
10	822721	Windshield	1	37	308090	Washer, plain, 1/4	62
11	882783	Frame & panel Assy.	1	38	800303	Washer, spring, 1/4	1
12	822682	Frame, cab door, right	1	39	800368	Nut, wing	1
*	822755	Frame, cab door, left	1	40	815848	Clamp, cable	5
13	822792	Gasket, vent.	1	41	315287	Screw, hex. hd., no. 10-24 x 1/2	11
14	822785	Handle, vent	1	42	800053	Locknut, no. 10-24	1
15	882822	Lid Assy., vent	1	43	103867	Washer, plain, 5/16	1
16	882880	Guide Assy., handle	1	44	200653	Nut, no. 12	2
17	822883	Arm, mirror	2	45	306049	Screw, 1/4-20 x 7/8	12
18	823320	Sound foam	1	46	800059	Locknut, 1/4-20	38
19	824114	Brace, rear	2	47	306423	Screw, 5/16-18 x 1 3/4	2
20	807321	Arm, windshield wiper	1	48	306435	Screw, 5/16-18 x 1-1/4	6
21	809187	Grommet	1	49	306450	Screw, 5/16-18 x 3/4	4
22	812661	Blade, w/s wiper, 12"	1	50	800290	Locknut, 5/16-18	10
23	883760	Motor Assy.	1	51	306981	Washer, plain, 3/8	16
24	813062	Nut, w/s wiper	1	52	307048	Screw, no. 12-24 x 3/4	2
25	813064	Adaptor, wiper arm	1	53	307608	Screw, 1/4-20 x 5/8	28
26	824966	Lockwasher	1	54	812644	Spacer, cab back	6
27	813063	Cap, nut, motor	1	55	816307	Washer, 1/4	8
28	307901	Roll pin, 7/32 x 1/2	1	*	819784	Tip, rod	6
*	878862	Wire Assy., grounding	1	56	824115	Brace, front	2
*	807036	Terminal, spade	1	57	306396	Lockwasher, 1/4	4
*	807039	Terminal	1	*	821893	Molding	1
*	812978	Wire, wiper motor	1				
*	880845	Wire Assy.	1				
*	807404	Mirror, inside	1				

* Not shown.

INDENTED PART NAMES INDICATE THESE PARTS ARE INCLUDED IN PRECEDING ASSEMBLY.

TURN SIGNAL ASSY.



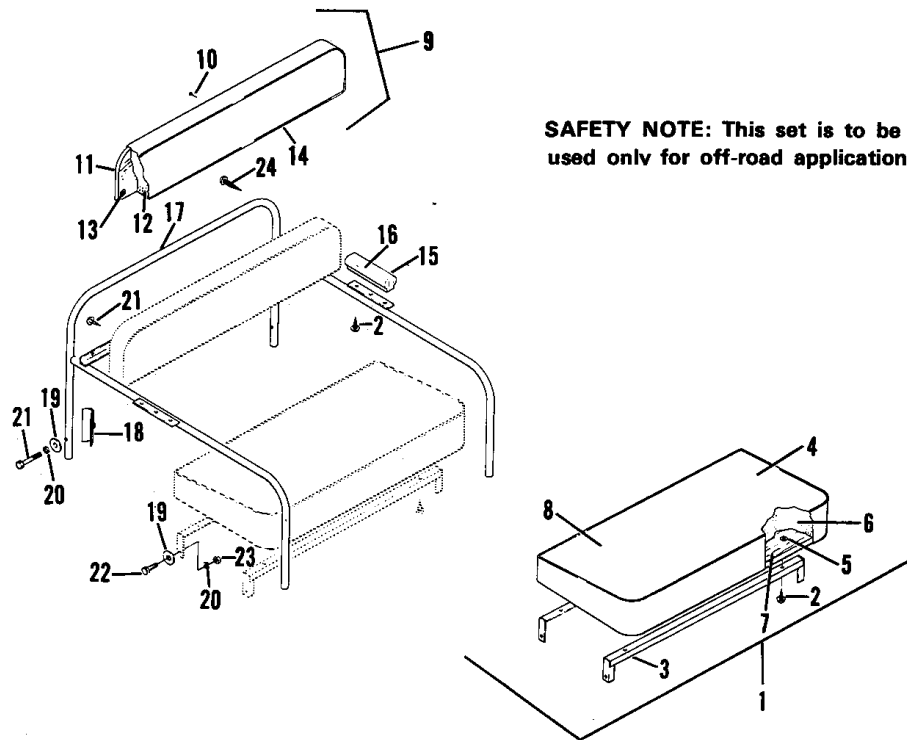
892107

TURN SIGNAL ASSY

Ref. No.	Part No.	Description	Qty.	Ref. No.	Part No.	Description	Qty.
	882850	Turn signal set	1	24	823197	Bushing, taillight bracket	4
	883267	Turn signal set	1	25	302030	Screw, 1/4-20 x 1-1/4	4
1	882837	Switch, turn signal (off road)	1	26	308090	Washer, plain, 1/4	4
2		Bulb, no. 53 (obtain locally)	1	27	306375	Nut, hex., 1/4-20	8
3	822859	Bracket, steering wheel	1	28	306396	Lockwasher, 1/4	2
4	800178	Screw, p.h.	2	29	306419	Screw, hex. hd., 1/4-20 x 1/2	2
5	306310	Lockwasher, no. 8	2	30	822877	Speed nut, strip	1
6	308088	Washer, no. 8	2	31	800196	Speed nut, type j, 1/4-20	2
7	882836	Turn signal assy., front	2	*	882848	Harness, right rear turn signal	1
8		Bulb, no. 1156 (obtain locally)	1	*	817007	Clip, flasher mtg.	1
9	823337	Lens, amber	1	*	132520	Nut, hex., no. 10-32	1
10	823341	Snap, ring - peterson	1	*	809122	Clip, taillight wires	4
11	306375	Nut, hex., 1/4-20	4	*	809231	Grommet	1
12	306488	Lockwasher, 1/4	6	*	813840	Clip, wiring	4
13	882851	Light assy., stop & tail, red (grote, '76 & prior)	1	*	816041	Wire tie, 4 inch	4
14		Bulb, no. 1156 (obtain locally)	1	*	816584	Wire tie, 10 inch	2
15	823336	Lens, red - grote	1	*	300646	Screw, 1/4-20 x 3/4	1
16	823196	Screw, lens - grote	3	*	306375	Nut, hex., 1/4-20	2
17	825501	Flasher, turn signal	1	*	306396	Lockwasher, 1/4	1
18	880843	Brown - circuit breaker to flasher with 10 amp fuse	1	*	308090	Washer, plain, 1/4	1
19	816270	Plug, dash slot	1	*	809122	Clip, taillight wires	1
20	882843	Bracket, taillight dump box	1	*	814924	Clamp, battery cable	2
21	822855	Bracket, taillight flatbed	1	32	824066	Gasket, taillight lens - peterson	1
22	822854	Bracket, taillight pickup box	1	33	824065	Lens, taillight, red - peterson	1
23	823891	Bracket, taillight mtg.	1	34	823341	Snap, ring - peterson	1
				35	824068	Wire assy., taillight - peterson	1
				36	824079	Boot, wire assy., - peterson	1

* Not shown.

INDENTED PART NAMES INDICATE THESE PARTS ARE INCLUDED IN PRECEDING ASSEMBLY.

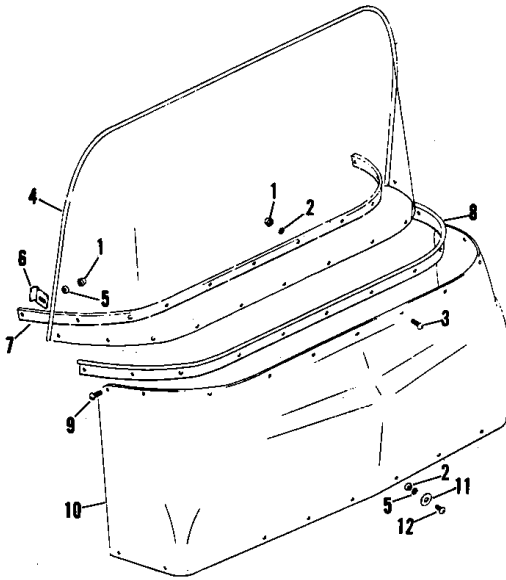


SEAT ASSY.

Ref. No.	Part No.	Description	Qty.	Ref. No.	Part No.	Description	Qty.
	878655	Seat, personnel carrier	1	13	810386	Nut, tee	13
1	877237	Seat assy.	1	14	877234	Cover, seat	1
2	304488	Screw, Wood, no. 8	20	15	877239	Armrest assy.	2
3	875714	Support, seat	2	16	810042	Cover, armrest	1
4	880731	Seat	1	17	878656	Frame assy., backrest	1
5	810386	Nut, tee	13	18	876650	Clamp assy., top, bow	4
6	815827	Pad, seat	1	19	103867	Washer, plain, 5/16	8
7	818480	Board, seat	1	20	306325	Lockwasher, 5/16	8
8	880732	Cover, seat	1	21	306423	Screw, 5/16-18 x 1 3/4	4
9	877233	Backrest	1	22	306555	Screw, 5/16-18 x 5/8	4
10	800162	Nail, uphol.	#	23	306932	Nut, hex., 5/16-18	4
11	810023	Board	1	24	306925	Screw, Wood, 8 x 1-1/2	2
12	810024	Padding	1				

As required.

INDENTED PART NAMES INDICATE THESE PARTS ARE INCLUDED IN PRECEDING ASSEMBLY.



WINDSHIELD SET

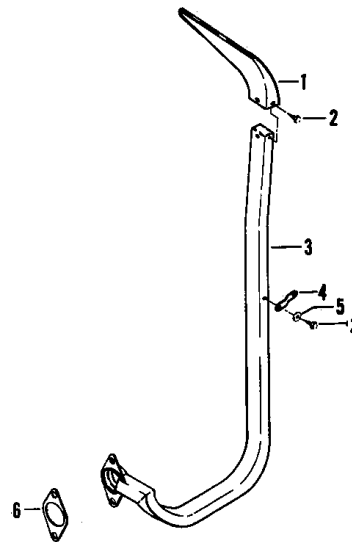
Ref. No.	Part No.	Description	Qty.
	878775	Windshield set	1
1	800037	. Nut, acorn, 1/4-20	11
2	306396	. Lockwasher, 1/4	19
3	130600	. Screw, 1/4-20 x 3/4	9
4	883219	. Window set assy. w/ moulding	1
5	306375	. Nut, hex., 1/4-20	12
6	812815	. Clip	2
7	812814	. Strip	1
8	812816	. Extrusion	1
9	800017	. Screw, 1/4-20 x 1	2
10	812810	. Panel, windshield	1
11	308090	. Washer, plain, 1/4	10
12	800026	. Screw, Phillips, 1/4-20 x 3/4, pth	10

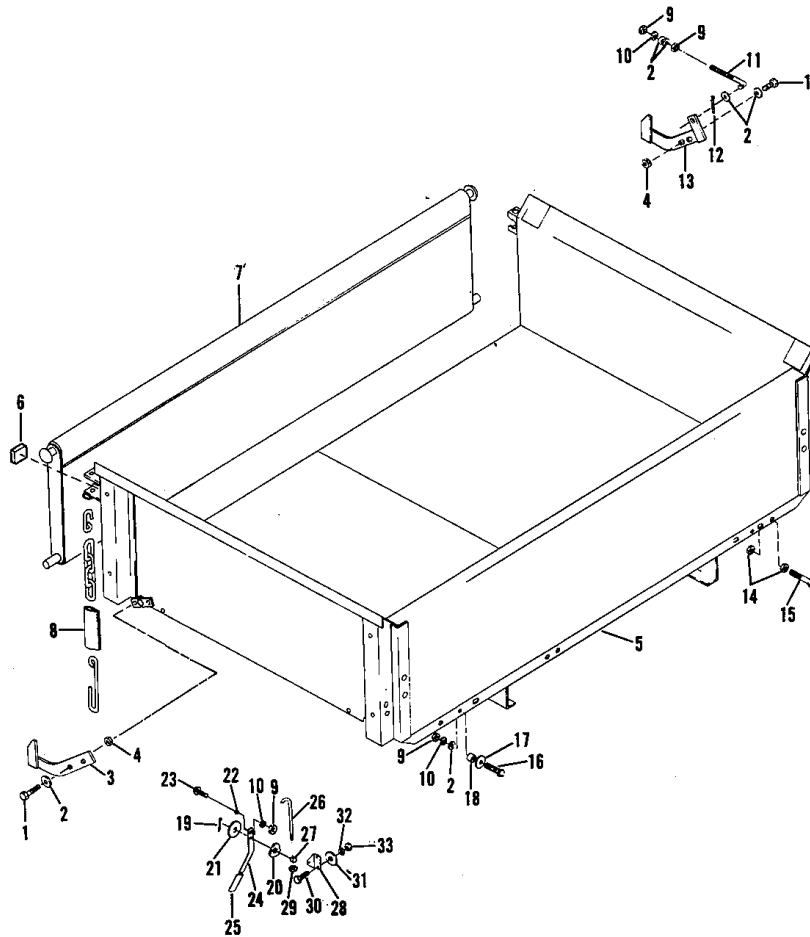
INDENTED PART NAMES INDICATE THESE PARTS ARE INCLUDED IN PRECEDING ASSEMBLY.

DEFROSTER SET

Ref. No.	Part No.	Description	Qty.
	883800	Defroster set	1
1	883646	. Panel, defroster	1
2	112050	. Screw, 1/4-20 x 5/8	4
3	883647	. Tube, defroster	1
4	824138	. Bracket	1
5	308090	. Washer, plain, 1/4	1
6	824142	. Gasket	1

INDENTED PART NAMES INDICATE THESE PARTS ARE INCLUDED IN PRECEDING ASSEMBLY.

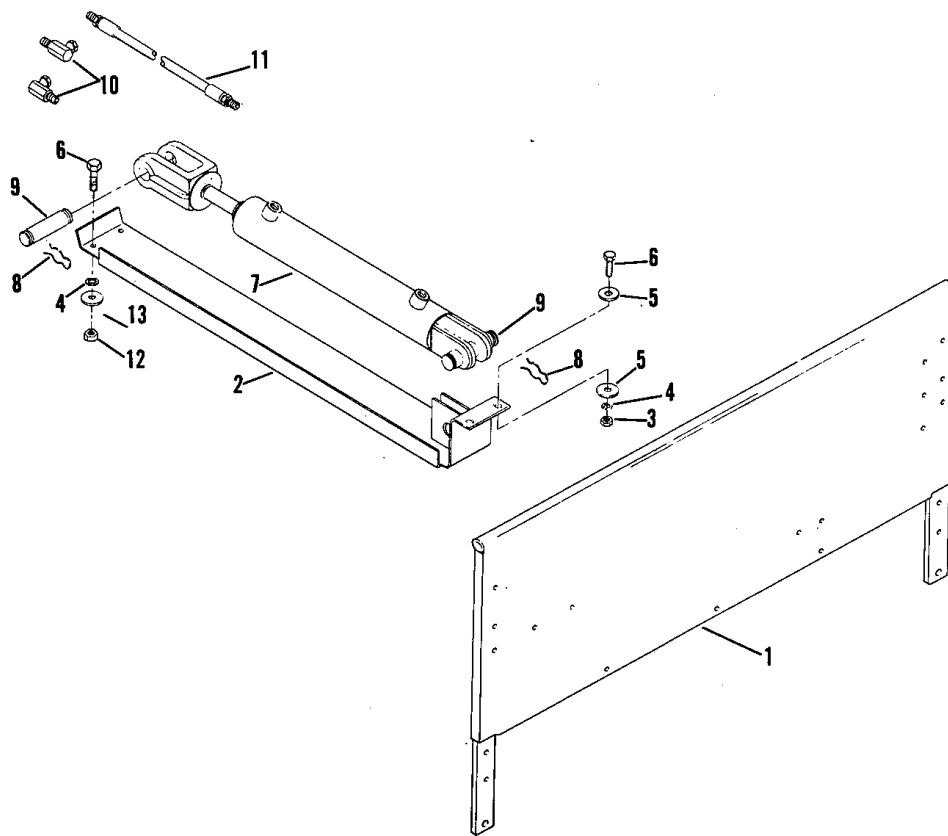




SHORT BOX

Ref. No.	Part No.	Description	Qty.	Ref. No.	Part No.	Description	Qty.
	883016	Short box assy., wide	1	17	809152	.Washer, 5/16	2
1	306322	.Screw, 5/16-18 x 7/8	4	18	808937	.Spacer	2
2	103867	.Washer, plain, 5/16	9	19	306328	.Cotter pin, 3/32 x 3/4	3
3	881943	.Latch assy., right	1	20	800254	.Washer, wave, 5/16	2
4	800290	.Locknut, 5/16-18	4	21	306981	.Washer, plain, 3/8	3
5	882934	Box assy., short	1	22	823332	.Bushing, hook handle, pivot	2
6	821767	.Bumper, tailgate	2	23	800177	.Screw, 5/16-18 x 3/4	2
7	881845	.Tailgate, box	1	24	823308	.Handle, box hook holddown	2
8	809978	.Cover, chain	2	25	821696	.Grip, handle	2
9	306932	.Nut, hex., 5/16-18	7	26	823307	.Hook, box holddown	2
10	306325	.Lockwasher, 5/16	6	27	817387	.Pin, connector	2
11	824942	.Stop, latch	1	28	823309	.Bracket	2
12	306328	.Cotter pin, 3/32 x 3/4	1	29	306562	.Nut, hex., 3/8-16	2
13	881944	.Latch assy., left	1	30	306487	.Screw, hex. hd., 1/4-20 x 5/8	3
14	304364	.Nut, 7/16-14	2	31	308090	.Washer, plain, 1/4	3
15	311397	.Screw, 7/16-14 x 3	1	32	306396	.Lockwasher, 1/4	3
16	306435	.Screw, 5/16-18 x 1-1/4	2	33	306375	.Nut, hex., 1/4-20	3

72 INDENTED PART NAMES INDICATE THESE PARTS ARE INCLUDED IN PRECEDING ASSEMBLY

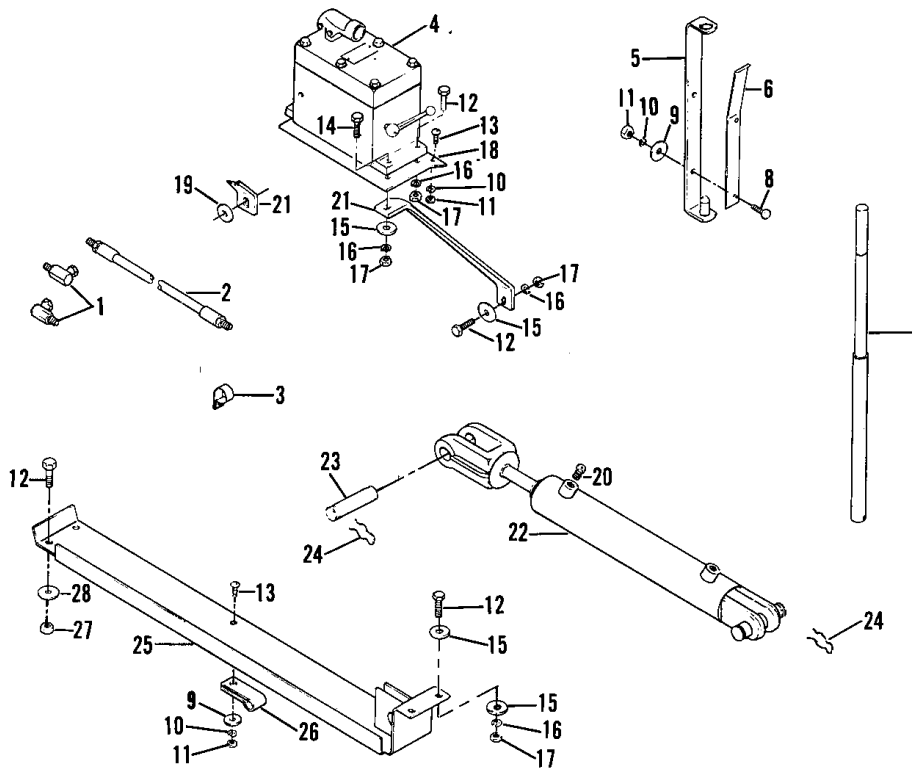


DUMP CYLINDER

Ref. No.	Part No.	Description	Qty.	Ref. No.	Part No.	Description	Qty.
	883309	Dump, cylinder set	1	8	809265	.. Pin, hair	2
1	883033	.. Shield assy.	1	9	823185	.. Pin	1
2	882909	.. Support	1	10	823119	.. Adapter	1
3	306932	.. Nut, hex., 5/16-18	4	11	823103	.. Hose, hyd.	2
4	306325	.. Lockwasher, 5/16	4	12	800290	.. Locknut, 5/16-18	2
5	103867	.. Washer, plain, 5/16	4	13	815818	.. Washer, support, rear	2
6	306416	.. Screw, hex. hd., 5/16-18 x 1	4	*	883236	Kit, hyd. seal	1
7	882993	.. Cylinder	1				

* Not shown.

INDENTED PART NAMES INDICATE THESE PARTS ARE INCLUDED IN PRECEDING ASSEMBLY.

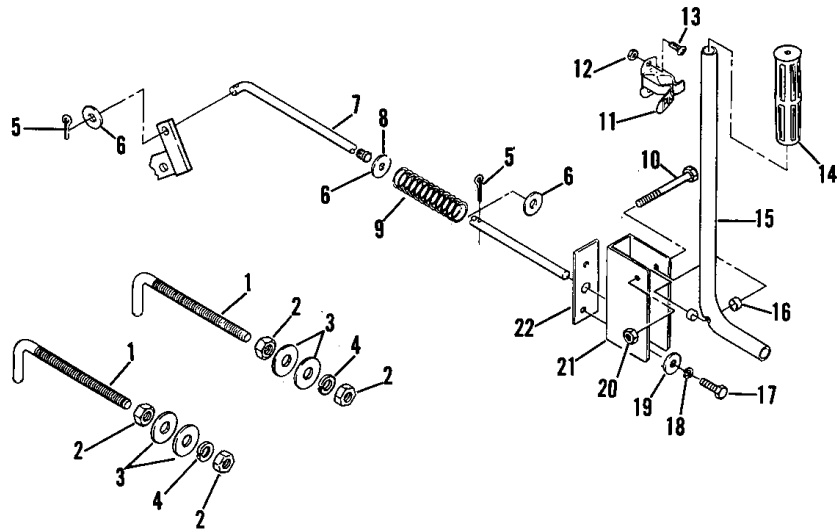


HYDRAULIC DUMP MANUAL CONTROLS

Ref. No.	Part No.	Description	Qty.	Ref. No.	Part No.	Description	Qty.
1	823119	Adapter	2	17	306932	Nut, hex., 5/16-18	7
2	823115	Hose	1	18	823253	Support	1
3	809117	Clamp	1	19	306981	Washer, plain, 3/8	1
4	883066	Pump	1	20	823255	Plug	1
5	882346	Holder, handle	1	21	823254	Bracket	2
6	822220	Catch	1	22	882993	Cylinder	1
7	882349	Handle	1	23	823185	Pin	2
8	300646	Screw, hex hd., 1/4-20 x 3/4	2	24	809265	Pin, hair	2
9	308090	Washer, plain, 1/4	3	25	882909	Support	1
10	306396	Lockwasher, 1/4	5	26	809092	Clamp	1
11	306375	Nut, hex., 1/4-20	5	27	800290	Locknut, 5/16-18	2
12	306416	Screw, hex. hd., 5/16-18 x 1	7	28	815818	Washer, heavy	2
13	800277	Screw, p.t.h., 1/4-20 x 5/8	3	*	823152	Decal, safety	2
14	306501	Screw, 5/16-18 x 1-1/2	2	*	823257	Decal, operation	1
15	103867	Washer, plain, 5/16	7	*	883236	Hydraulic seal kit	1
16	306325	Lockwasher, 5/16	7				

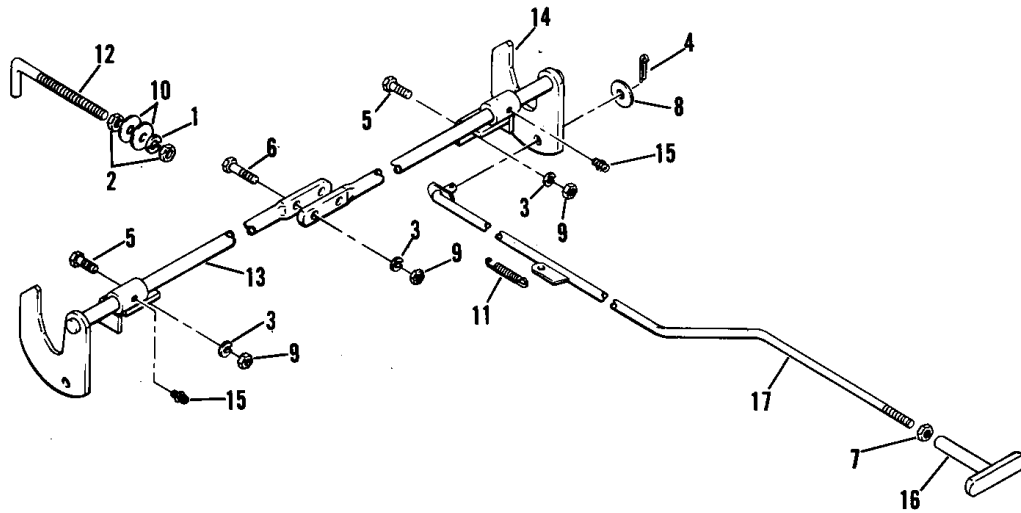
* Not shown.

INDENTED PART NAMES INDICATE THESE PARTS ARE INCLUDED IN PRECEDING ASSEMBLY.



TAILGATE RELEASE HARDWARE

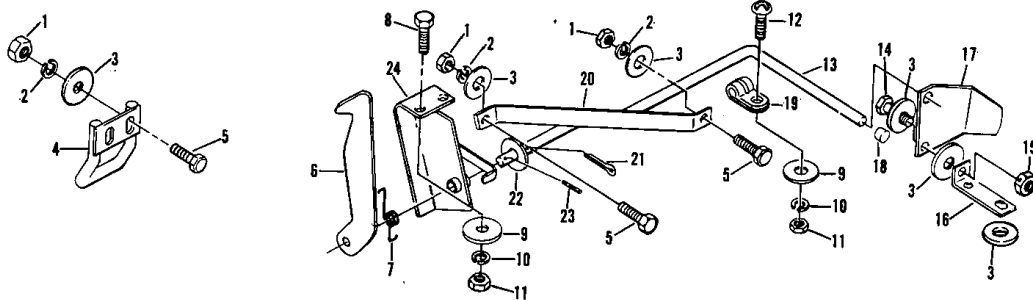
Ref. No.	Part No.	Description	Qty.	Ref. No.	Part No.	Description	Qty.
1	820388	Stop, tailgate	2	12	800053	Locknut, no. 10-24	2
2	304364	Nut, 7/16-14	4	13	130255	Screw, no. 10-24 x 1/4	2
3	306982	Washer, 7/16	4	14	807472	Grip	1
4	303269	Lockwasher, 7/16	2	15	821157	Handle	1
5	306328	Cotter pin, 3/32 x 3/4	2	16	816612	Bushing	2
6	306981	Washer, plain, 3/8	3	17	306555	Screw, 5/16-18 x 5/8	2
7	825195	Rod	1	18	306325	Lockwasher, 5/16	2
8	820316	Bushing	1	19	103867	Washer, plain, 5/16	2
9	820435	Spring	1	20	800290	Locknut, 5/16-18	1
10	130167	Screw, 5/16-18 x 2-1/4	1	21	821165	Pivot	1
11	821304	Holder, handle	1	22	882175	Plate	1



TAILGATE RELEASE W/BOX LATCH

Ref. No.	Part No.	Description	Qty.	Ref. No.	Part No.	Description	Qty.
1	303269	Lockwasher, 7/16	2	10	306982	Washer, 7/16	4
2	304364	Nut, 7/16-14	4	11	817119	Spring, return	1
3	306325	Lockwasher, 5/16	6	12	820388	Stop, tailgate	2
4	306328	Cotter pin, 3/32 x 3/4	1	13	883252	Rod assy., right side	1
5	306416	Screw, hex. hd., 5/16-18 x 1	4	14	883253	Rod assy., left side	1
6	306435	Screw, 5/16-18 x 1-1/4	2	15	807439	Fitting, lub., straight, 1/4-28	2
7	306562	Nut, hex., 3/8-16	1	16	883254	Handle assy.	1
8	306981	Washer, plain, 3/8	1	17	883255	Rod assy., tailgate	1
9	306932	Nut, hex., 5/16-18	6				

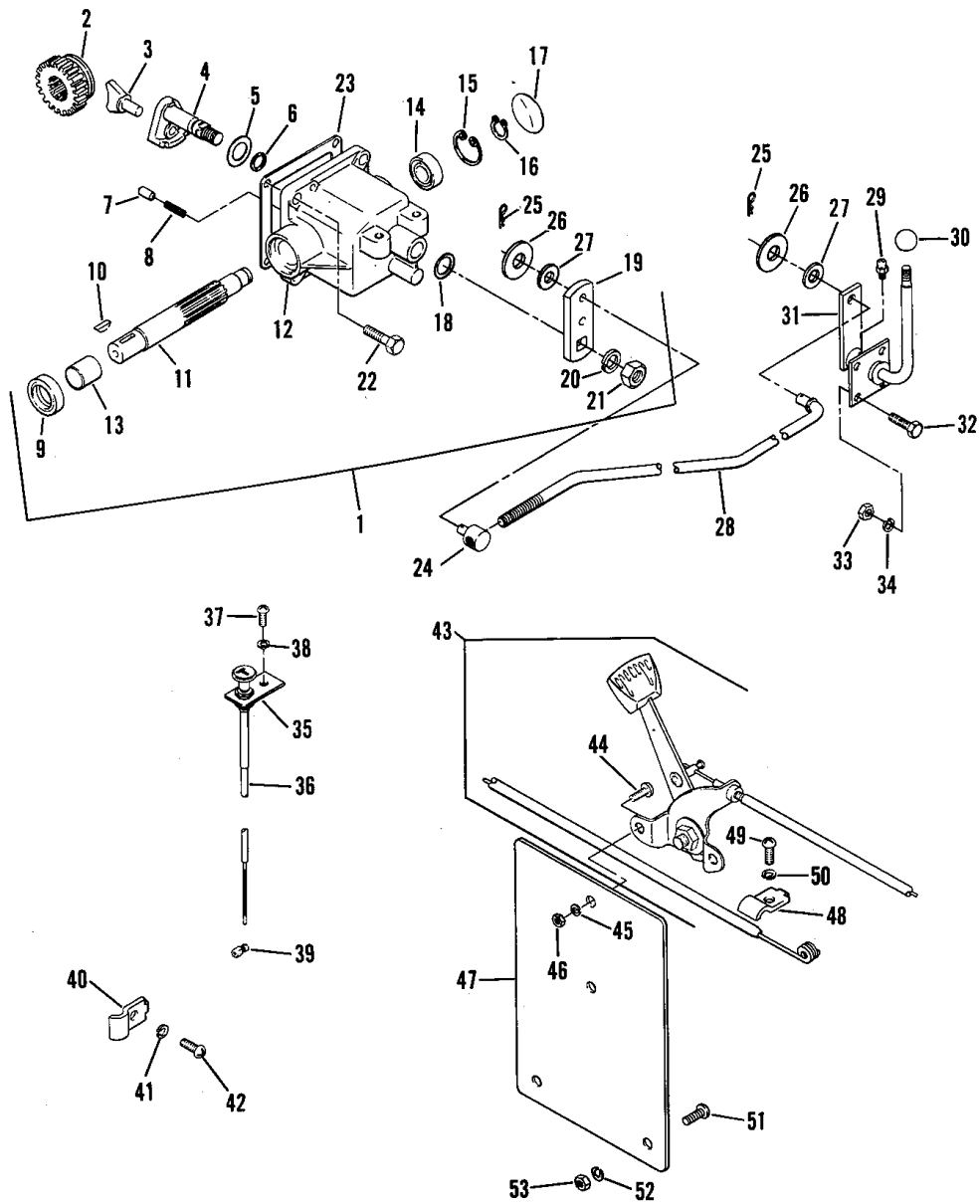
INDENTED PART NAMES INDICATE THESE PARTS ARE INCLUDED IN PRECEDING ASSEMBLY.



BOX CATCH CONTROLS

Ref. No.	Part No.	Description	Qty.	Ref. No.	Part No.	Description	Qty.
1	306932	Nut, hex., 5/16-18	4	13	823260	Rod, catch release	1
2	306325	Lockwasher, 5/16	4	14	306322	Screw, 5/16-18 x 7/8	1
3	103867	Washer, plain, 5/16	8	15	800290	Locknut, 5/16-18	1
4	883059	Latch, box	1	16	823293	Support, release bracket	1
5	306416	Screw, hex. hd., 5/16-18 x 1 ..	4	17	823294	Bracket, release	1
6	883057	Catch box	1	18	819784	Tip, rod	1
7	823259	Spring, catch release	1	19	809092	Clamp	1
8	300646	Screw, hex hd., 1/4-20 x 3/4 ..	2	20	823263	Support, box catch	1
9	308090	Washer, plain, 1/4	5	21	306328	Cotter pin, 3/32 x 3/4	1
10	306396	Lockwasher, 1/4	3	22	306981	Washer, plain, 3/8	1
11	306375	Nut, hex., 1/4-20	3	23	306966	Roll pin, 1/8 x 3/4	1
12	800277	Screw, p.t.h., 1/4-20 x 5/8 ...	1	24	883056	Support, catch	1

PTO SET



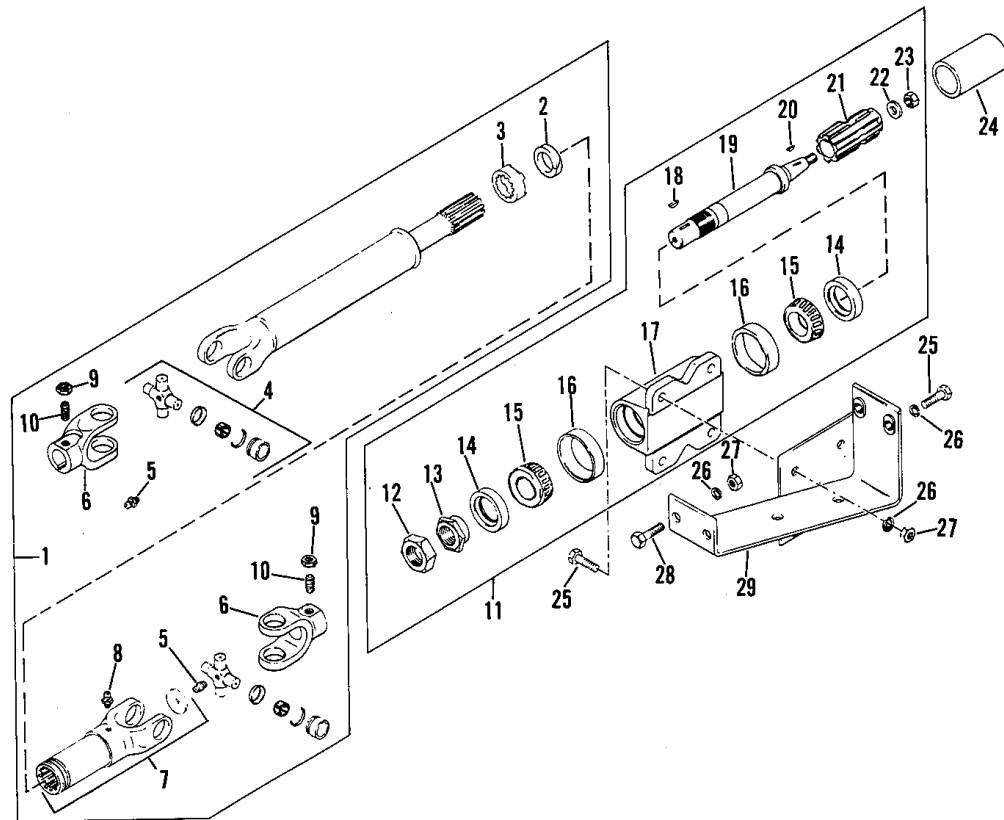
PTO SET

Ref. No.	Part No.	Description	Qty.	Ref. No.	Part No.	Description	Qty.
	883008	Power take off set	1	29	807439	.. Fitting, lub., straight, 1/4-28	1
1	880808	.. Power take off	1	30	812997	.. Knob, shift lever	1
2	815182	.. Gear	1	31	880804	.. Lever, shifter	1
3	815085	.. Fork	1	32	306487	.. Screw, hex. hd., 1/4-20 x 5/8	2
4	879807	.. Lever, shift	1	33	306375	.. Nut, hex., 1/4-20	2
5	812419	.. Shim	1	34	306396	.. Lockwasher, 1/4	2
6	807624	.. O ring, shaft	1	35	880817	.. Plate, throttle control	1
7	815013	.. Button, shaft arm	1	36	817425	.. Cable	1
8	815012	.. Spring	1	37	800019	.. Screw, 1/4-20 x 1/2	1
9	815187	.. Seal	1	38	306396	.. Lockwasher, 1/4	1
10	306367	.. Key, Woodruff, 9	1	39	817104	.. Stop, cable	1
11	815184	.. Shaft	1	40	111898	.. Clamp, cable	1
12	879808	.. Case assy., p.t.o.	1	41	120052	.. Lockwasher, no. 10	1
13	815186	.. Bushing	1	42	306514	.. Screw, no. 10-24 x 1/2	1
14	808082	.. Bearing	1	43	816066	.. Lever, governor control	1
15	809260	.. Snap ring, bearing retain- ing	1	44	800271	.. Screw, p.t.h., no. 10-24 x 1/2	2
16	809259	.. Snap ring	1	45	120052	.. Lockwasher, no. 10	2
17	800257	.. Expansion plug	1	46	306531	.. Nut, no. 10-24	2
18	805307	.. Shim	#	47	817490	.. Bracket, governor cable	1
19	817397	.. Arm, shifter	1	48	111898	.. Clamp, cable	1
20	120166	.. Lockwasher, 1/2	1	49	306460	.. Screw, no. 10-24 x 3/8	1
21	301988	.. Nut, 1/2-20	1	50	120052	.. Lockwasher, no. 10	1
22	306435	.. Screw, 5/16-18 x 1-1/4	4	*	809258	.. Ring, retaining	1
23	815188	.. Gasket	1	*	817398	.. Decal, power take-off	1
24	817387	.. Pin, connector	1	*	816068	.. Decal, p.t.o. instructions	1
25	821164	.. Pin, hair	2	51	800019	.. Screw, 1/4-20 x 1/2	1
26	306981	.. Washer, plain, 3/8	2	52	306396	.. Lockwasher, 1/4	1
27	800254	.. Washer, wave, 5/16	2	53	306375	.. Nut, hex., 1/4-20	1
28	818527	.. Rod, shift	1				

* Not shown.

As required.

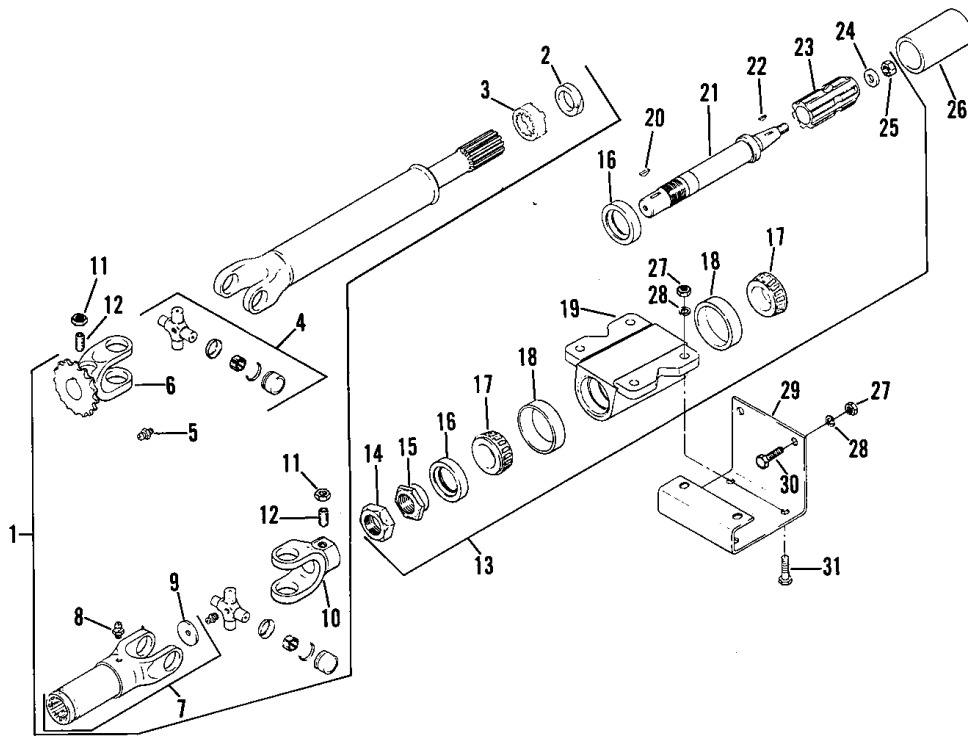
INDENTED PART NAMES INDICATE THESE PARTS ARE INCLUDED IN PRECEDING ASSEMBLY.



PTO SHAFT EXTENSION

Ref. No.	Part No.	Description	Qty.	Ref. No.	Part No.	Description	Qty.
	883581	P.t.o. shaft extension	1	14	815816	.. Seal, bearing	2
1	815902	.. Shaft, drive, telescoping . . .	1	15	814473	.. Cone, roller bearing	2
2	817427	.. Seal, cork	1	16	814474	.. Cup, roller bearing	2
3	817336	.. Cap, dust	1	17	815812	.. Housing, rear bearing	1
4	817335	.. Universal joint	2	18	805874	.. Key, no. 9	1
5	807443	.. Fitting, lub., 1/4-28, 45 deg.	2	19	880158	.. Shaft, carrier	1
6	817447	.. Yoke, p.t.o. shaft	2	20	551041	.. Key, Woodruff	1
7	817448	.. Sleeve, with plug	1	21	815802	.. Spline, extension	1
8	807439	.. Fitting, lub., straight, 1/4-28.	1	22	815818	.. Washer, support, rear	1
9	304632	.. Nut, 3/8-16	2	23	800292	.. Locknut, shackle, hex. 3/8-16.	1
10	800289	.. Screw set, 3/8-16 x 3/4	2	24	816961	.. Shield, spline, p.t.o.	1
11	880157	.. Shaft & housing assy., p.t.o., rear	1	25	306835	.. Screw, 3/8-16 x 1 1/4	6
12	800268	.. Nut, jam, 1-14	1	26	120177	.. Lockwasher, 3/8	8
13	815814	.. Nut, bearing adj.	1	27	306562	.. Nut, hex., 3/8-16	6
				28	306539	.. Screw, 3/8-16 x 7/8.	2
				29	880228	.. Bracket, bearing	1

INDENTED PART NAMES INDICATE THESE PARTS ARE INCLUDED IN PRECEDING ASSEMBLY.

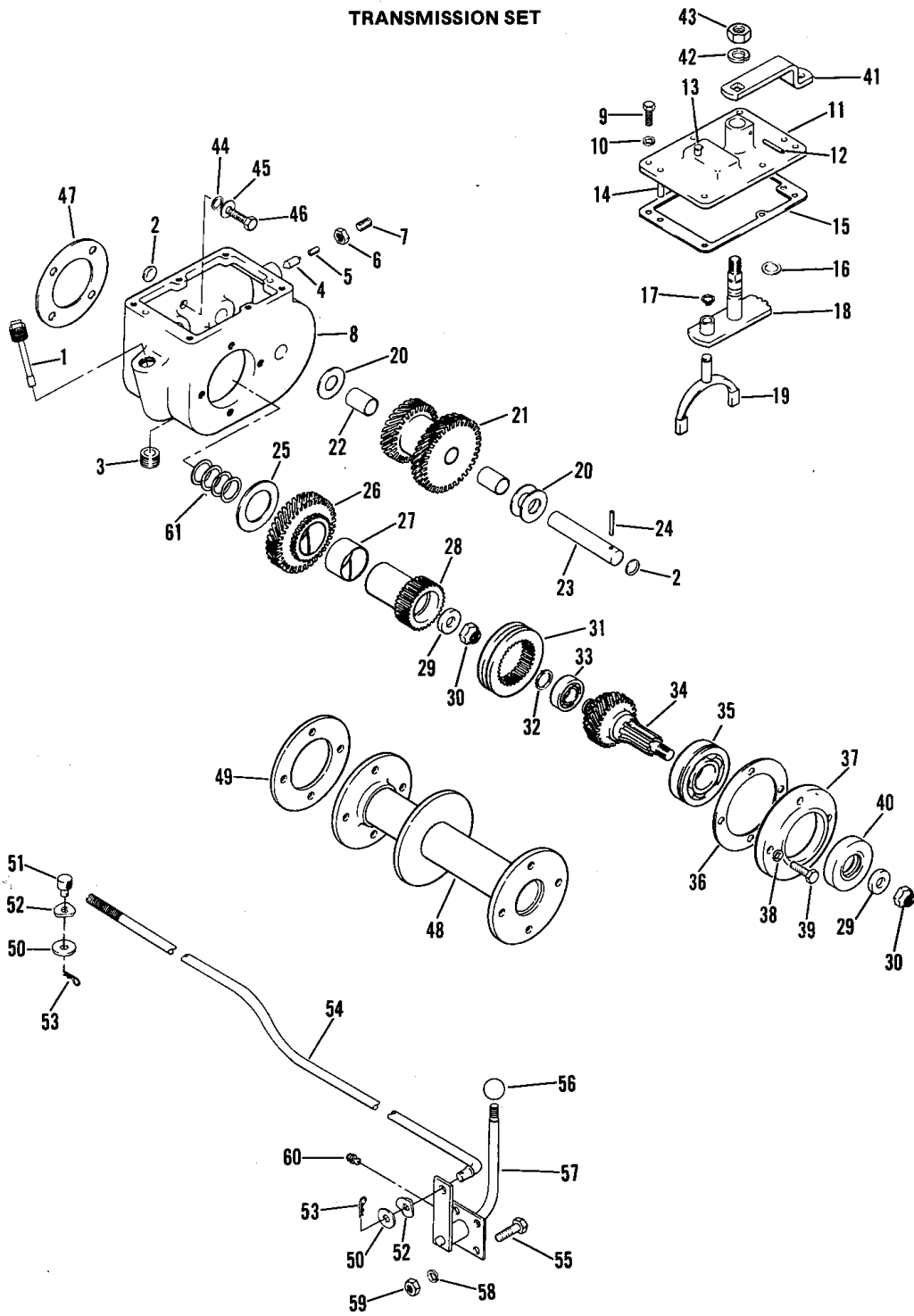


PTO SHAFT EXTENSION

Ref. No.	Part No.	Description	Qty.	Ref. No.	Part No.	Description	Qty.
1	883010	Shaft extension, p.t.o.	1	15	815814	.. Nut, bearing adj.....	1
	883006	.. Shaft assy., p.t.o. extension	1	16	815816	.. Seal, bearing	2
2	817427	.. Seal, Cork	1	17	814473	.. Cone, roller bearing	2
3	817336	.. Cap, dust	1	18	814474	.. Cup, roller bearing	2
4	817335	.. Universal joint	2	19	815812	.. Housing, rear bearing	1
5	807443	.. Fitting, lub., 1/4-28, 45 deg	2	20	805874	.. Key, no. 9	1
6	883331	.. Yoke, with sprocket	1	21	880158	.. Shaft, carrier	1
7	817448	.. Sleeve, with plug	1	22	551041	.. Key, Woodruff	1
8	807439	.. Fitting, lub., straight, 1/4-28	1	23	815802	.. Spline, extension	1
9	817337	.. Plug	1	24	815818	.. Washer, support, rear	1
10	817447	.. Yoke, p.t.o. shaft	1	25	800292	.. Locknut, shackle, hex. 3/8-16	1
11	304632	.. Nut, 3/8-16	2	26	816961	.. Shield, spline, p.t.o.	1
12	800289	.. Screw set, 3/8-16 x 3/4	2	27	306562	.. Nut, hex., 3/8-16	8
13	880157	.. Shaft & housing assy., p.t.o., rear	1	28	120177	.. Lockwasher, 3/8	8
14	800268	.. Nut, jam, 1-14	1	29	822956	.. Support, bearing, p.t.o.	1
				30	306414	.. Screw, hex. hd., 3/8-16 x 1..	4
				31	306835	.. Screw, 3/8-16 x 1 1/4	4

INDENTED PART NAMES INDICATE THESE PARTS ARE INCLUDED IN PRECEDING ASSEMBLY.

TRANSMISSION SET



TRANSMISSION SET

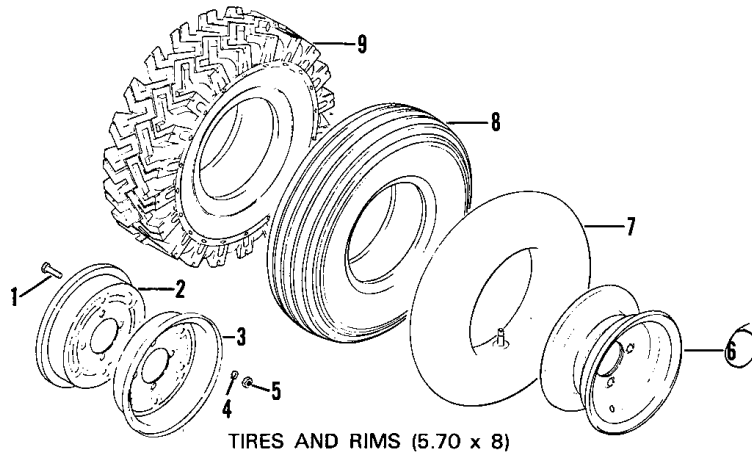
Ref. No.	Part No.	Description	Qty.	Ref. No.	Part No.	Description	Qty.
	883143	Transmission set, auxiliary	1	33	812009	Bearing, pilot	1
1	880145	Dipstick, trans.	1	34	812007	Gear, drive	1
2	805893	Plug, exp. welch	2	35	812008	Bearing, gear	1
3	111071	Plug, drain, 1/2 pipe	1	36	811999	Gasket, retainer	1
4	807366	Button, shaft arm	1	37	811995	Retainer, bearing	1
5	805407	Spring posit	1	38	306325	Lockwasher, 5/16	4
6	603773	Nut, 3/8-16, nylon	1	39	306416	Screw, hex. hd., 5/16-18 x 1	4
7	800095	Screw, set, 5/16	1	40	812335	Seal, bearing	1
8	811994	Case, transmission	1	41	817375	Lever, shifter	1
9	300646	Screw, hex hd., 1/4-20 x 3/4	6	42	120166	Lockwasher, 1/2	1
10	306396	Lockwasher, 1/4	6	43	130541	Nut, hex., 1/2-20	1
11	815706	Cover, transmission	1	44	553542	Washer, seal	4
12	306967	Roll pin, 1/8 x 1-1/8	1	45	306405	Washer, plain, 3/8	4
13	807441	Cover (cup breath trans.)	1	46	131794	Screw, 3/8-16 x 2	4
14	806711	Pin, dowel	2	47	812000	Gasket, flange	1
15	812001	Gasket, cover	1	48	882985	Shaft, aux. trans., drive	1
16	807624	O ring, shaft	1	49	812327	Spacer, driveshaft	1
17	812011	Ring, retaining	1	50	306981	Washer, plain, 3/8	2
18	880143	Arm, shifter	1	51	817387	Pin, connector	1
19	812010	Fork, shifter	1	52	800254	Washer, wave, 5/16	2
20	811992	Shim, gear	#	53	821164	Pin, hair	2
21	878805	Gear, cluster	1	54	823039	Rod, shifter	1
22	812004	Bushing, gear	2	55	306487	Screw, hex. hd., 1/4-20 x 5/8	2
23	811997	Jackshaft, transmission	1	56	812997	Knob, shift lever	1
24	307785	Roll pin, 5/32	1	57	880804	Lever, shifter	1
25	811993	Washer, bearing	1	58	306396	Lockwasher, 1/4	2
26	878806	Gear, assy., driven	1	59	306375	Nut, hex., 1/4-20	2
27	812006	Bushing, gear	1	60	807439	Fitting, lub., straight, 1/4-28	1
28	811998	Shaft, main transmission	1	61	815697	Shim, .005	#
29	809180	Washer, 1/2	2		815698	Shim, .010	#
30	800198	Locknut, hex., 1/2-20	2		815699	Shim, .030	#
31	811996	Collar, shifter	1	*	817370	Decal, transmission set	1
32	809252	Snap ring, bearing retaining	1	*	823106	Decal, safety warning	1

* Not shown.

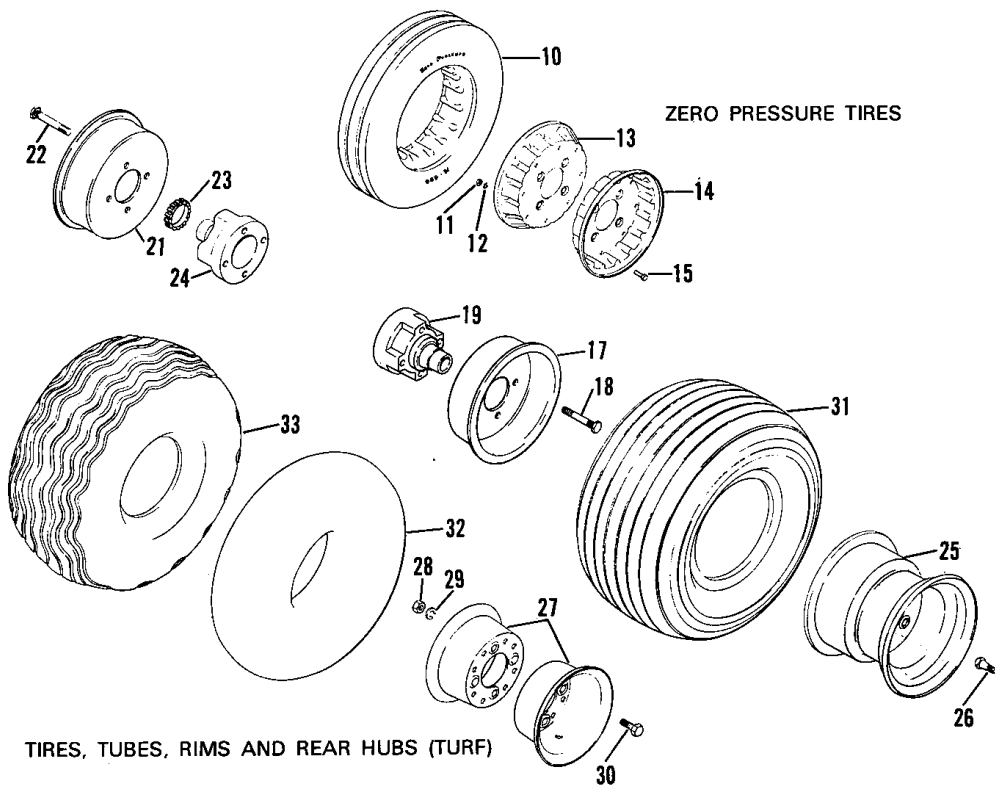
As required.

INDENTED PART NAMES INDICATE THESE PARTS ARE INCLUDED IN PRECEDING ASSEMBLY.

WHEEL AND TIRE MODIFICATIONS



TIRES AND RIMS (5.70 x 8)



ZERO PRESSURE TIRES

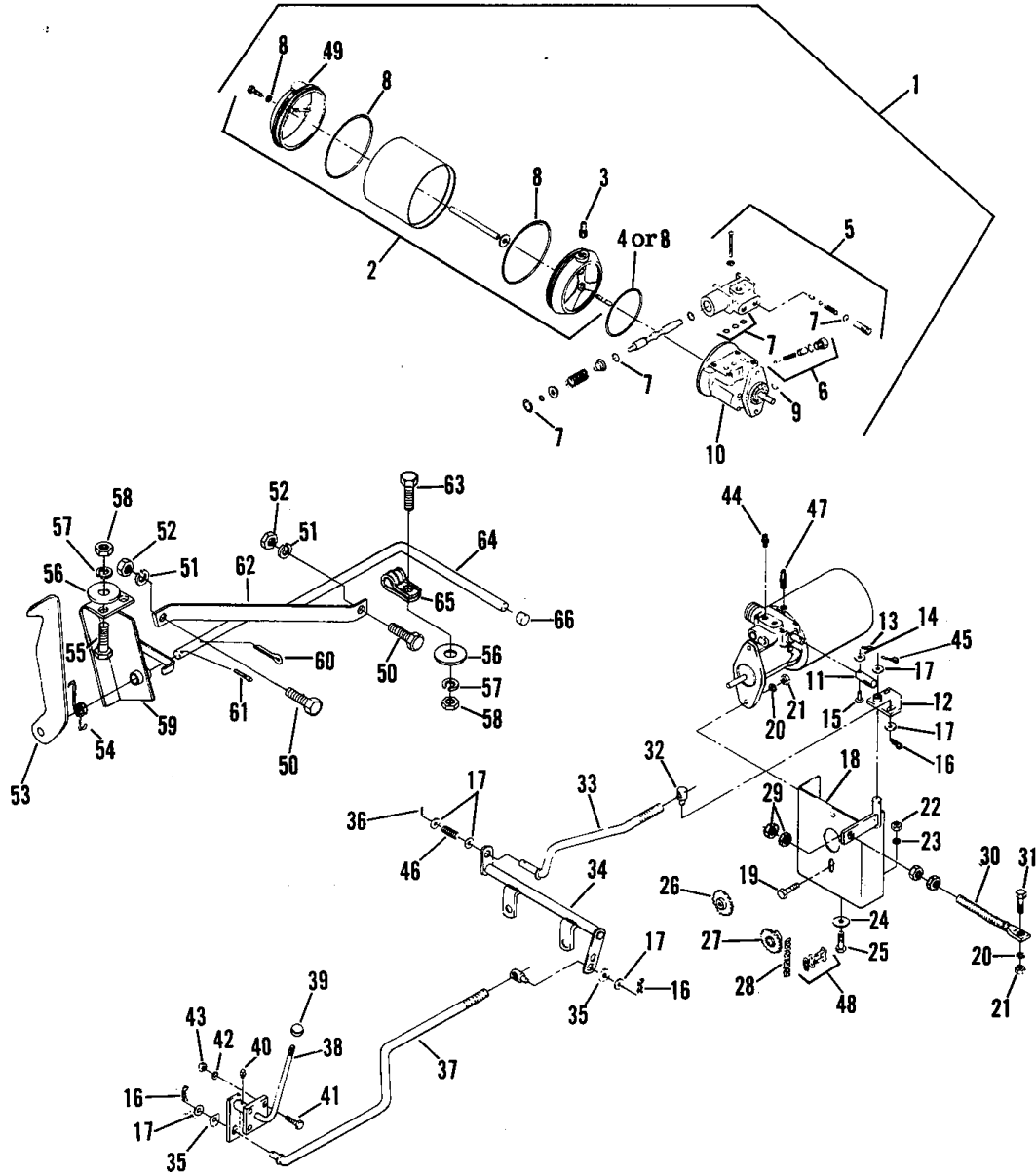
TIRES, TUBES, RIMS AND REAR HUBS (TURF)

WHEEL AND TIRE MODIFICATIONS

Ref. No.	Part No.	Description	Qty.	Ref. No.	Part No.	Description	Qty.
1	800385	Screw, 3/8-16 x 3/4	6	19	815839	Hub, left, rear	1
2	807279	Rim, inner half, 4 ply tires . . .	1	21	805030	Drum, brake, rear	1
3	807278	Rim, outer half, 4 ply tires . . .	1	22	815838	Screw, wheel mounting	4
4	120177	Lockwasher, 3/8	6	23	821154	Gear, speedometer, drive . . .	1
5	306562	Nut, hex., 3/8-16	6	24	821434	Hub only	1
6	824989	Rim, 6-ply tires	1	25	815474	Rim, 9.50 x 8	1
7		Tube, 5.70x8 (obtain locally) . .	1	26	814687	Valve	1
8		Tire, 4 or 6-ply, 5.70x8 (obtain locally)	1	27	879535	Rim set, 8.00 x 6	1
9		Tire, 5.70x8, 6-ply (obtain locally)	1	28	306562	Nut, hex., 3/8-16	6
10	807271	Tire, 4.00 x 16	1	29	120177	Lockwasher, 3/8	6
11	306375	Nut, hex., 1/4-20	8	30	800385	Screw, 3/8-16 x 3/4	6
12	306396	Lockwasher, 1/4	8	31		Tire, 9.50x8, 4-ply (obtain locally)	1
13	812034	Rim, inner	1	32		Tube, 8.00x6, 4-ply (obtain locally)	1
14	812033	Rim, outer	1	33		Tire, 8.00x6, 4-ply (obtain locally)	1
15	300646	Screw, 1/4-20 x 3/4	8				
17	805030	Drum, brake, rear	1				
18	815838	Screw, wheel mounting	4				

INDENTED PART NAMES INDICATE THESE PARTS ARE INCLUDED IN PRECEDING ASSEMBLY.

HYDRAULIC SYSTEM SET

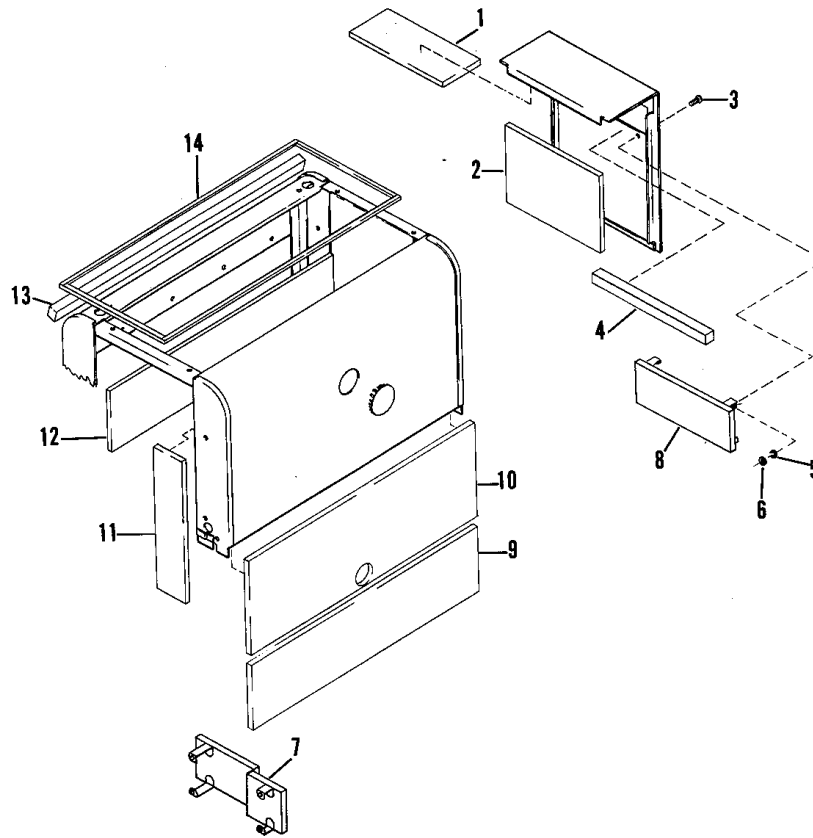


HYDRAULIC SYSTEM SET

Ref. No.	Part No.	Description	Qty.	Ref. No.	Part No.	Description	Qty.
	883011	Hydraulic system set	1	34	883003	Bellcrank assy.	1
1	883004	Pump assy.	1	35	800254	Washer, wave, 5/16	2
2	883373	Tank assy.	1	36	306966	Roll pin, 1/8 x 3/4	1
3	823587	Plug, breather	1	37	823228	Rod	1
4	824144	O ring	1	38	883060	Lever assy.	1
5	824148	Valve	1	39	823667	Knob	1
6	824145	Relief valve	1	40	807439	Fitting, lub., straight, 1/4-28	1
7	883374	Seal kit, valve	1	41	306487	Screw, hex. hd., 1/4-20 x 5/8	4
8	883372	Seal kit, tank	1	42	306396	Lockwasher, 1/4	4
9	824147	Key, Woodruff, 1/8	1	43	306375	Nut, hex., 1/4-20	4
10	824146	Pump assy.	1	44	823118	Connector	2
11	823214	Adaptor	1	45	306328	Cotter pin, 3/32 x 3/4	1
12	883058	Bracket assy.	1	46	805408	Spring	1
13	306463	Pin, cotter, 1/16 x 1/2	2	47	823587	Plug, breather	1
14	308089	Washer, no. 10	2	48	876431	Link assy., chain	1
15	823225	Pin	2	*	823153	Decal, positions	1
16	821164	Pin, hair	2	49	825047	Cap, end, tank	1
17	306981	Washer, plain, 3/8	5	50	306450	Screw, 5/15-18 x 3/4	2
18	883055	Support assy.	1	51	306325	Lockwasher, 5/16	2
19	306835	Screw, 3/8-16 x 1 1/4	2	52	306932	Nut, hex., 5/16-18	2
20	120177	Lockwasher, 3/8	3	53	883057	Catch box	1
21	306562	Nut, hex., 3/8-16	3	54	823259	Spring, catch release	1
22	306932	Nut, hex., 5/16-18	2	55	300646	Screw, hex. hd., 1/4-20 x 3/4	2
23	306325	Lockwasher, 5/16	2	56	308090	Washer, plain, 1/4	3
24	103867	Washer, plain, 5/16	4	57	306396	Lockwasher, 1/4	3
25	306416	Screw, hex. hd., 5/16-18 x 1	2	58	306375	Nut, hex., 1/4-20	3
26	824883	Sprocket, 10 tooth	1	59	883056	Support, catch	1
27	823096	Sprocket, 17 tooth	1	60	306328	Cotter pin, 3/32 x 3/4	1
28	824885	Chain, roller pump, 37 pitches	1	61	306966	Roll pin, 1/8 x 3/4	1
29	304364	Nut, 7/16-14	4	62	823263	Support, box catch	1
30	815558	Rod	1	63	306487	Screw, hex. hd., 1/4-20 x 5/8	1
31	306834	Screw, hex. hd., 3/8-16 x 3/4	1	64	823260	Rod, catch release	1
32	817387	Pin, connector	2	65	809092	Clamp	1
33	823213	Rod	1	66	819784	Tip, rod	1

* Not shown.

INDENTED PART NAMES INDICATE THESE PARTS ARE INCLUDED IN PRECEDING ASSEMBLY.

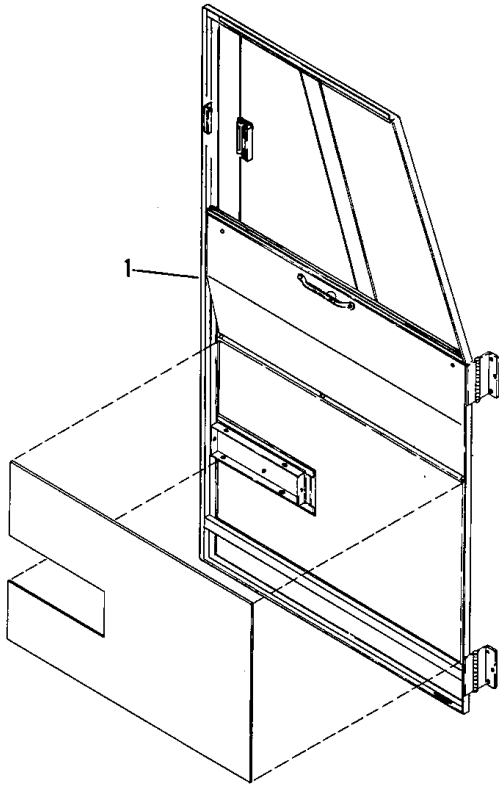


SOUND TREATMENT SET

Ref. No.	Part No.	Description	Qty.	Ref. No.	Part No.	Description	Qty.
1	883137	Sound treatment set	1	9	823443	Sound foam, lower front	1
	823445	Sound foam, side upper	2	10	823446	Sound foam, upper front	1
2	823442	Sound foam, lower side	2	11	823441	Sound foam, corner	4
3	306460	Screw, no. 10-24 x 3/8	8	12	823444	Sound foam, top rear	1
4	823321	Sound foam	2	13	823320	Sound foam	1
5	120052	Lockwasher, no. 10	8	14	823531	Strip, engine cover	1
6	306531	Nut, no. 10-24	8	*	823434	Sound foam, roof	1
7	883136	Sound trap assy.	1	*	823532	Cement, contact	2
8	883755	Sound trap assy., left	1				

* Not shown.

INDENTED PART NAMES INDICATE THESE PARTS ARE INCLUDED IN PRECEDING ASSEMBLY.



SOUND TREATMENT SET — STEEL DOOR

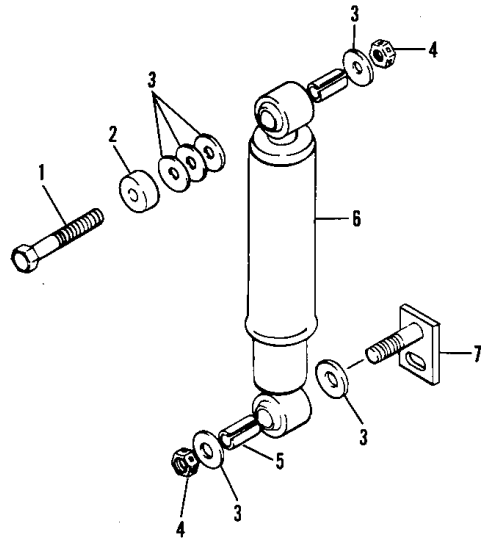
Ref. No.	Part No.	Description	Qty.
	883061	Sound treatment set	1
1	823525	. Panel, sound, right	1
*	823239	. Panel, sound left	1
*	823532	. Cement, contact	1

* Not shown.

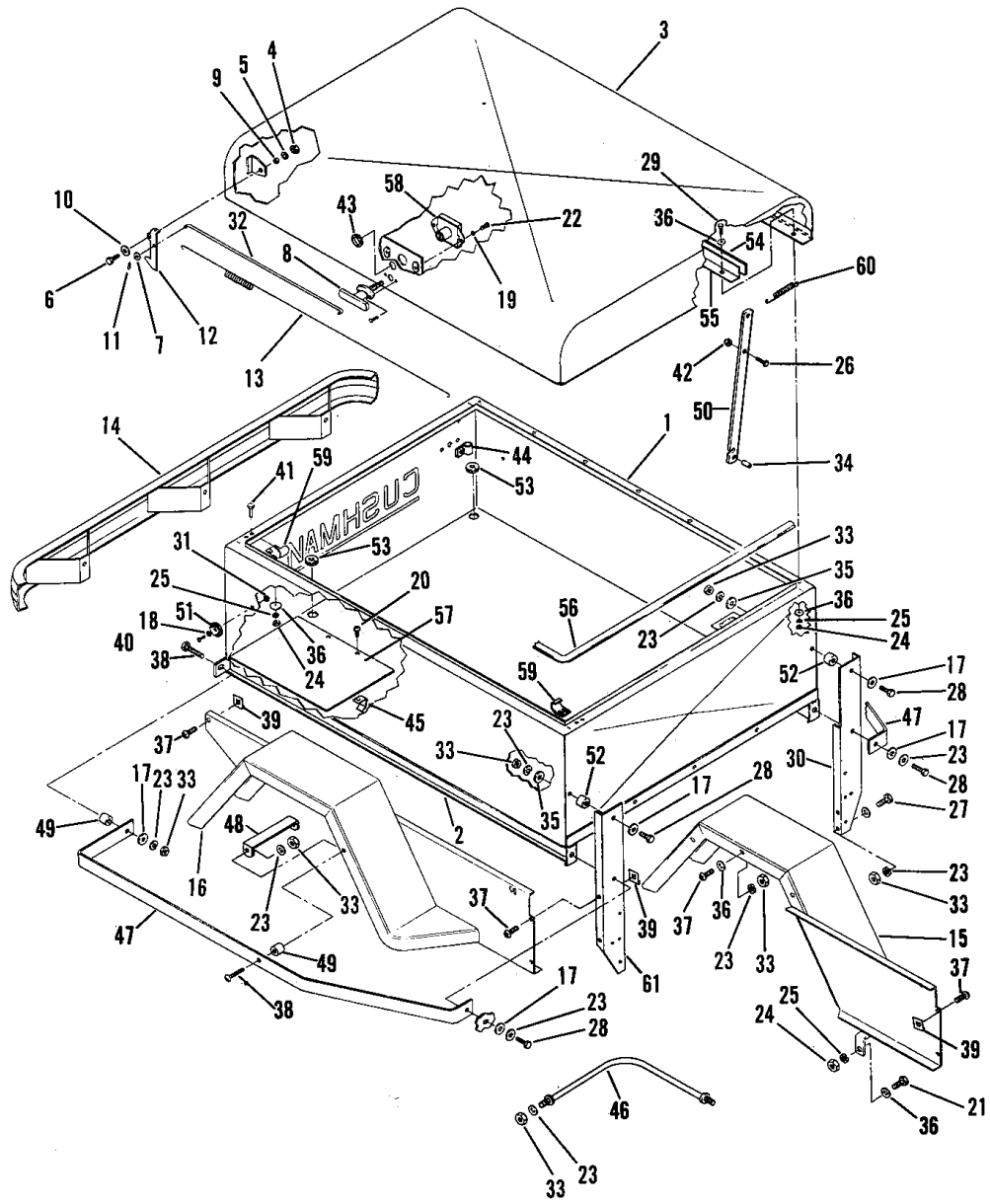
INDENTED PART NAMES INDICATE THESE PARTS ARE INCLUDED IN PRECEDING ASSEMBLY.

SHOCK ABSORBERS

Ref. No.	Part No.	Description	Qty.
1	311397	Screw, 7/16-14 x 3	2
2	819805	Spacer, shock absorber	2
3	825500	Washer, 7/16	12
4	800294	Locknut, hex., 7/16-14	4
5	823621	Bushing, shock mtg.	4
6	825017	Shock absorber	2
7	883806	Bracket assy., shock	2



POLICE BOX AND COVER

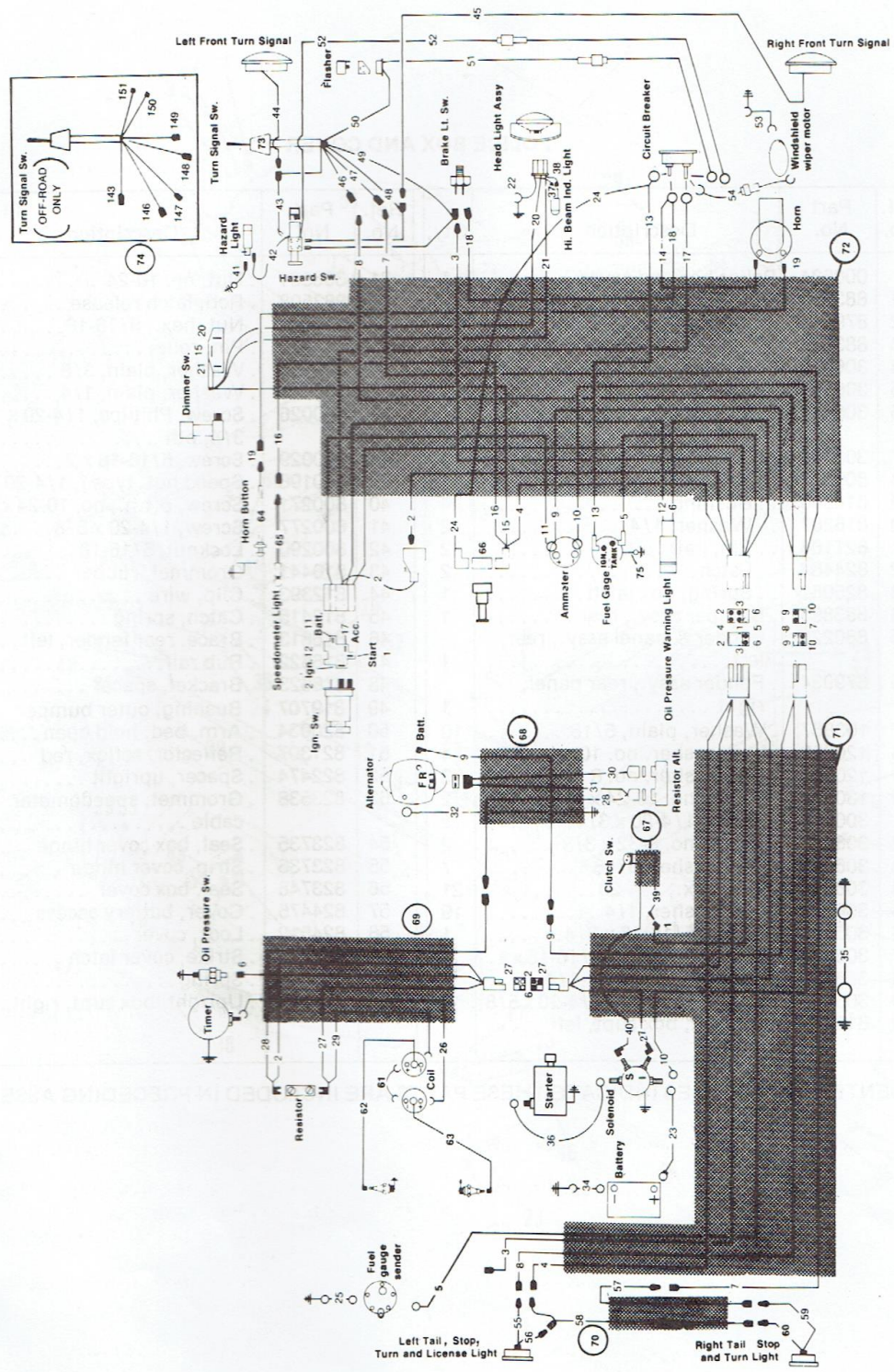


POLICE BOX AND COVER

Ref. No.	Part No.	Description	Qty.	Ref. No.	Part No.	Description	Qty.
	000634	Police box and cover	1	31	306531	Nut, no. 10-24	4
1	883534	Box & platform assy.	1	32	883508	Rod, latch release	2
2	879915	Platform assy.	1	33	306932	Nut, hex., 5/16-18.	9
3	883835	Cover assy., police box	1	34	306972	Pin, roll	1
4	306375	Nut, hex., 1/4-20	2	35	306981	Washer, plain, 3/8	2
5	306396	Lockwasher, 1/4	2	36	308090	Washer, plain, 1/4	24
6	306487	Screw, hex. hd., 1/4-20 x 5/8	2	37	800026	Screw, Phillips, 1/4-20 x 3/4, pth	11
7	308089	Washer, no. 10	4	38	800029	Screw, 5/16-18 x 2	2
8	809376	Handle, lock	1	39	800196	Speed nut, type j, 1/4-20	5
9	814585	Bushing	4	40	800271	Screw, p.t.h., no. 10-24 x 1/2	4
10	816307	Washer, 1/4	2	41	800277	Screw, 1/4-20 x 5/8	4
11	821164	Pin, hair	2	42	800290	Locknut, 5/16-18	1
12	824484	Latch	2	43	810441	Grommet, rubber	1
13	825051	Spring, box latch	1	44	812393	Clip, wire	2
14	883883	Bumper assy., rear	1	45	812415	Catch, spring	2
15	880222	Fender & panel assy., rear, left	1	46	815813	Brace, rear fender, left	1
16	879934	Fender assy., rear panel, right	1	47	816622	Rub rail	2
17	103867	Washer, plain, 5/16	10	48	816623	Bracket, spacer	2
18	120052	Lockwasher, no. 10	4	49	819707	Bushing, outer bumper	4
19	120122	Lockwasher, no. 8	2	50	820034	Arm, bed, hold open	1
20	130255	Screw, no. 10-24 x 1/4	2	51	821307	Reflector, reflex, red	4
21	300646	Screw, 1/4-20 x 3/4	2	52	822474	Spacer, upright	2
22	306309	Screw, no. 8-32 x 3/8	2	53	823538	Grommet, speedometer cable	2
23	306325	Lockwasher, 5/16	7	54	823735	Seal, box cover hinge	1
24	306375	Nut, hex., 1/4-20	21	55	823736	Strip, cover hinge	1
25	306396	Lockwasher, 1/4	19	56	823748	Seal, box cover	1
26	306450	Screw, 5/16-18 x 3/4	1	57	824475	Cover, battery access	1
27	306416	Screw, hex. hd., 5/16-18 x 1	3	58	824512	Lock, cover	1
28	306435	Screw, 5/16-18 x 1-1/4	4	59	824576	Strike, cover latch	2
29	306487	Screw, hex. hd., 1/4-20 x 5/8	7	60	825055	Spring	1
30	815360	Upright, box supt, left	1	61	815359	Upright, box supt, right	1

INDENTED PART NAMES INDICATE THESE PARTS ARE INCLUDED IN PRECEDING ASSEMBLY.

WIRING DIAGRAM

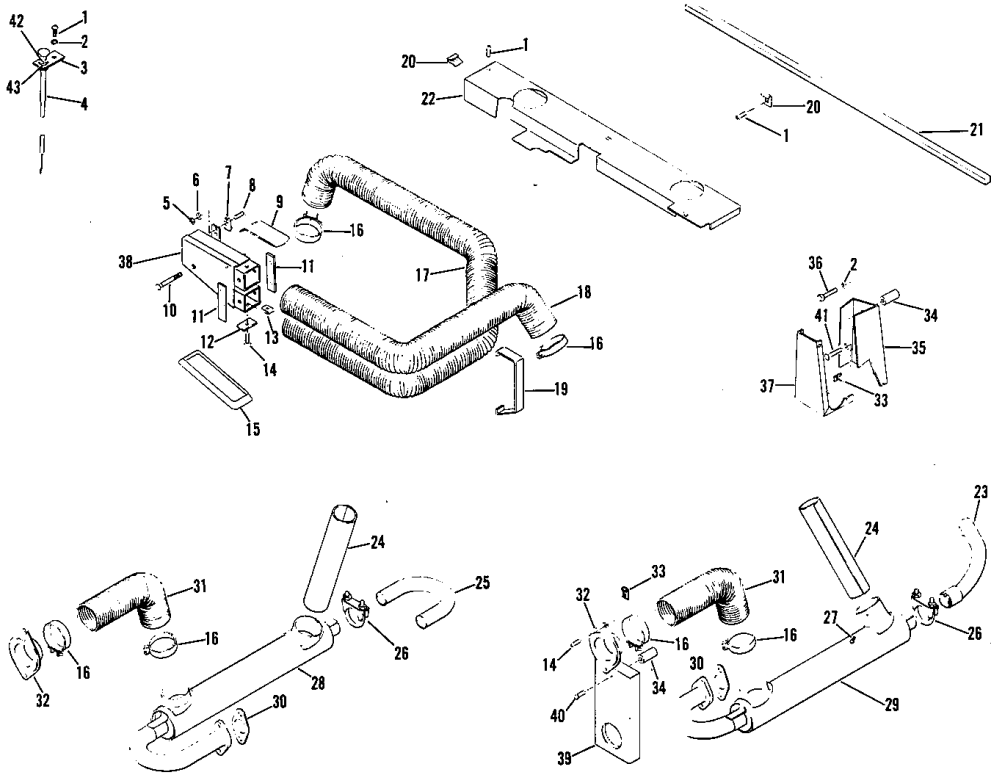


WIRES

Ref. No.	Part No.	Description	Ref. No.	Part No.	Description
69	113742	Harness, twin engine	15		Light Blue - Light switch to dimmer switch
2		Green - ignition switch to resistor	16		Orange - Light switch to speedometer light
6		White - Oil warning light to oil pressure switch	17		Black - Ignition switch (acc) to circuit breaker
26		Black - Coil to timer	18		Grey w/Blk Stripe - Circuit breaker to brake light sw
27		Blue - Resistor to solenoid	19		Brown - Horn to horn button
28		Green - Ignition to resistor	20		Light Green - Dimmer switch to headlight
29		Blue - Coil to resistor	21		Ivory - Dimmer switch to headlight
71	817326	Harness, main rear wiring	22		Black - Headlight to ground
1		Pink - Ignition switch to solenoid	24		Purple - Circuit breaker to light switch
2		Green - Ignition switch to resistor	37		White - High beam indicator to ground
30		Black - Brake light switch to stop light	38		White - High beam indicator to headlight
4		Tan - Light switch to taillight	68	823683	Harness, alternator
5		Yellow - Fuel gauge to sending unit	9		Red - Ammeter (+) to alternator (bat)
6		White - Oil warning light to oil pressure switch	28		Green - Ignition to resistor
7		Red - Turn signal switch to right rear turn signal	30		White - Resistor to alternator
8		Blue - Turn signal switch to left rear turn signal	31		Yellow - Ignition to alternator
9		Red - Ammeter (+) to alternator (bat)	32		Blue - Alternator to ground
10		Black - Ammeter (-) to solenoid (bat)	74	882837	Switch, turn signal (off road)
27		Blue - Resistor to solenoid (ign)	143		Green - Turn signal switch to left front turn signal
72	817327	Harness, main front wiring	146		Light Blue - Turn signal switch to left rear taillight
1		Pink - Ignition switch to solenoid	147		Red - Turn signal switch to right rear turn signal
2		Green - Ignition switch to resistor	148		Yellow - Turn signal switch to right front turn signal
3		Black - Brake light switch to stop light	149		Grey w/Blk Stripe - Turn signal switch to brake light sw
4		Tan - Light switch to taillight	150		Black - Turn signal switch to flasher
5		Yellow - Fuel gauge to sending unit	151		Dark Blue - Turn signal switch to flasher
6		White - Oil warning light to oil pressure switch	70	882848	Harness, right rear turn signal
7		Red - Turn signal switch to right rear turn signal	57		Red - Main rear harness to right taillight
8		Blue - turn signal switch to left rear turn signal	58		Tan - Right taillight to left taillight
9		Red - Ammeter (+) to alternator (bat)	67	883404	Harness, clutch switch
10		Black - Ammeter (-) to solenoid (bat)	39		Pink - Main rear harness to clutch switch
11		Red - Ignition switch (bat) to ammeter (+)	40		Pink - Clutch switch to solenoid terminal "s"
12		White - Oil pressure light to ignition switch (ign)			
13		Purple - Fuel gauge (ign) to circuit breaker			
14		Grey - Horn to circuit breaker			

Ref. No.	Part No.	Description
73	883923	Switch, turn signal (on road)
43		Green - Turn sgnl sw to lft frt turn sgnl & hazard sw
46		Light Blue - Turn signal switch to left rear taillight
47		Red - Turn signal switch to right rear taillight
48		Yellow - Turn sgnl sw to rt frt turn sgnl & hazard sw
49		Grey - Turn sgnl sw to brake light sw & hazard sw
50		Black - Turn signal switch to flasher Separate Wires
61	112987	Brown - Wire, ignition coil
63	113745	Red - Lead, high tension (long)
62	113746	Red - Lead, high tension (short)
34	809865	Black - Battery to ground
	817296	Black - Battery to ground (chassis only)
53	812978	Brown - Windshield wiper motor to ground
25	815996	Orange w/Yellow Stripe - Fuel gauge sender to ground
23	817322	Black - Battery to solenoid
	817143	Black - Battery to solenoid (chassis only)
65	817513	Orange - Main front harness to speedometer light
41	821118	White - Hazard light to ground
66	824677	Copper - Connector
64	880365	Brown - Horn button
51	880843	Brown - Circuit breaker to flasher with 10 amp fuse
54	880845	Brown - Circuit brkr to wdshld wiper mtr w/14 amp fuse
75	881029	Black - Fuel gauge to ground
35	882954	Black - Ground cable, engine to main frame
52	883887	Black - Hazard switch to circuit breaker
42		Orange - Hazard switch to hazard light
36	884240	Black - Starter to solenoid "s" terminal

INDENTED PART NAMES INDICATE THESE PARTS ARE INCLUDED IN PRECEDING ASSEMBLY.



HEATER

Ref. No.	Part No.	Description	Qty.	Ref. No.	Part No.	Description	Qty.
0	000561	Heater	1	23	883062	. Tube, exhaust, left	1
1	800019	. Screw, 1/4-20 x 1/2	2	24	818505	. Tube, air	2
2	306396	. Lockwasher, 1/4	3	25	883063	. Tube, exhaust, right	1
3	818526	. Bracket, cable mounting	1	26	818962	. Clamp, 1-1/4	2
4	818525	. Cable, heater control	1	27	819195	. Screw, self dr., no. 8-18 x 1/2	2
5	306531	. Nut, no. 10-24	1	28	880739	. Heat exchanger assy., right	1
6	120052	. Lockwasher, no. 10	1	29	880737	. Heat exchanger assy., left	1
7	111898	. Clamp, cable	1	30	111761	. Gasket, manifold	2
8	306514	. Screw, no. 10-24 x 1/2	1	31	818499	. Hose, heater outlet	2
9	818504	. Bracket, hose, upper	1	32	880743	. Outlet	2
10	306832	. Screw, 1/4-20 x 2	1	33	800172	. Speed nut, no. 10a	4
11	818502	. Bracket, hose, side	2	34	820529	. Spacer	4
12	818503	. Bracket, hose, lower	1	35	818523	. Body, carb., heater	1
13	111928	. Nut, speed, no. 10	6	36	600014	. Screw, 1/4-20 x 1-3/4	1
14	800146	. Screw, no. 10-16 x 3/4	6	37	818524	. Cover, carb. heater (for models with heater)	1
15	818520	. Caulking, 12"	1	38	880736	. Outlet, air	1
16	818500	. Clamp, hose	6	39	883176	. Baffle assy.	2
17	818506	. Hose, air outlet, right	1	40	800381	. Screw, no. 10-16 x 1-1/2	4
18	818501	. Hose, air outlet, left	1	41	306832	. Screw, 1/4-20 x 2	1
19	818518	. Retainer, hose	1	42	306025	. Lockwasher, 3/8	1
20	800196	. Speed nut, type j, 1/4-20	2	43	306319	. Nut, 3/8-24	1
21	823320	. Sound foam	1				
22	818530	. Shroud, rear	1				

INDENTED PART NAMES INDICATE THESE PARTS ARE INCLUDED IN PRECEDING ASSEMBLY.